

# SVR-500 Series Network Video Recorder -

Reliable Network Video Recorder for Small Multi-sites Applications

Ver 1.0.0

DATASHEET



- **Manage up to 16 Network Cameras**
- **Compatible with Major Brand Cameras**
- **High Quality Live/Playback Video**
- **Export Playback Videos to AVI**
- **Web-based E-map Event Alert**
- **Two-way Audio**
- **Support External UPS**
- **SEENERGY Smart Camera Search**
- **Support Dual Stream**
- **Pure Web Based Administration**

**256CH CMS  
FREE Bundled!!**

The SEENERGY SVR-500 Series NVR is designed for use within a surveillance system, and performs recordings and playbacks pictures from network cameras in the system. It is designed for small scale applications such as retail store and the system is expandable for multi-sites management with the bundled 256CH CMS software. Up to 16 cameras (1.3MP each) can be connected via a network and it is possible to record their camera pictures. It is possible to perform the settings or operate the NVR using a web browser installed on a PC connected to a network and live videos can be viewed on major mobile devices through its web browser. Recorded video can be played back from remote site by a PC. Up to 4 PCs (web browsers) can access this unit concurrently and it is possible to perform the settings and operate this unit. The NVR is compatible with most major brand cameras and its ability to automatically search and find the available cameras on the network can greatly reduce the user effort when expanding the system.

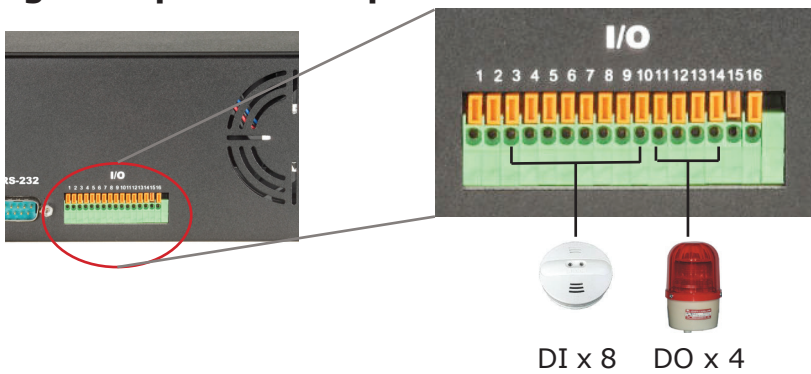


## Hardware Specifications

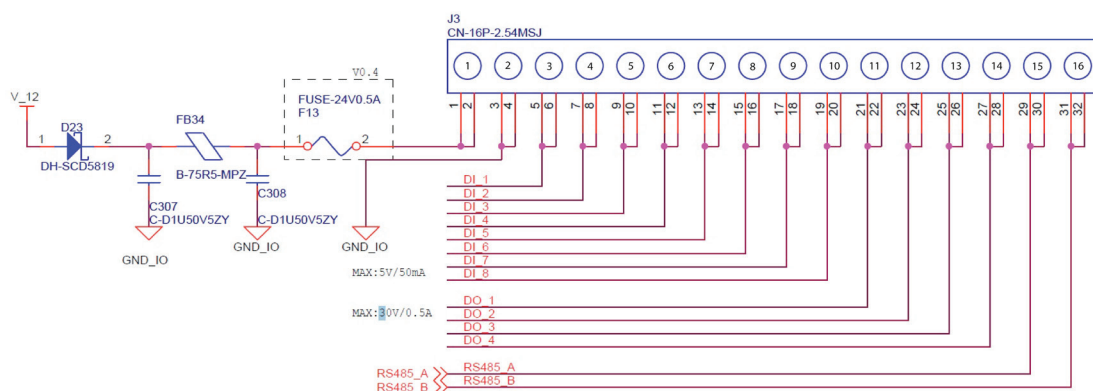
<b>CPU &amp; Memory</b>	<ul style="list-style-type: none"> <li>ARM9 1.6Ghz/512MB DDR3 RAM</li> </ul>
<b>Ethernet</b>	<ul style="list-style-type: none"> <li>10BaseT / 100BaseT/1GBaseT and half duplex / full duplex auto-negotiation duplex auto-negotiation</li> </ul>
<b>HDD</b>	<ul style="list-style-type: none"> <li>SATA HDD Slot x 2 (SATA I or SATAII)</li> <li>Max. Capacity:                             <ul style="list-style-type: none"> <li>- SVR-504/508/516: 6TB (3TB per HDD)</li> <li>- SVR-516+: 14TB (6TB int.+8TB e-SATA)</li> </ul> </li> </ul>
<b>LED</b>	<ul style="list-style-type: none"> <li>Cameras/Power/System/Network/HD/Alarm</li> </ul>
<b>Buttons</b>	<ul style="list-style-type: none"> <li>Reset/Power</li> </ul>
<b>Connectors</b>	<ul style="list-style-type: none"> <li>USB x 1</li> <li>RS-485</li> <li>DI/DO Connectors</li> <li>RS-232</li> <li>e-SATA (SVR-516+ only)</li> </ul>
<b>Power</b>	<ul style="list-style-type: none"> <li>19V DC/90W</li> </ul>
<b>Dimensions</b>	<ul style="list-style-type: none"> <li>220 x 215 x 81 mm</li> </ul>
<b>Weight</b>	<ul style="list-style-type: none"> <li>10lbs</li> </ul>
<b>Temperature</b>	<ul style="list-style-type: none"> <li>Operating: 5 °C ~ 45 °C/41 °F ~ 113 °F</li> <li>Storage: -40 °C ~ 70 °C/-14 °F ~ 158 °F</li> </ul>
<b>Humidity</b>	<ul style="list-style-type: none"> <li>5% ~ 90% (non condensing)</li> </ul>
<b>Safety</b>	<ul style="list-style-type: none"> <li>FCC Class A/CE</li> </ul>



## Digital Input and Output



Pin	Signal
1	12V DC
2	GND
3~10	Alarm input
11	Out1
12	Out2
13	Out3
14	Out4
15	RS485+
16	RS485-



## Software Specifications

### Cameras

<b>Add Camera</b>	Manual/SEEnergy Smart Camera Search
<b>Max. Channels</b>	16
<b>Supported Brands</b>	Axis/Sony/Panasonic/AVTech/Canon/D-Link/ACTi/Zavio/AMTK/Vivotek/Arecont Vision/Etrovision/Level 1/Mobotix/Toshiba/Abus/Planet/Pixord/IQInvision/A-Linking/Brickcom/Hunt/Sanyo

### Video

<b>Compression</b>	MJPEG/MPEG-4 Part 2/H.264
<b>Resolution</b>	5 MP/HD/MegaPixel/FD1/CIF/QCIF
<b>Max. Frame Rate</b>	240 fps (1920x1080, H.264) or 480 fps (1280x1024, H.264)

### Audio

<b>Streaming</b>	Two-way audio
------------------	---------------

### Live View

<b>Display Mode</b>	Live View/Playback/Full Screen
<b>Split Screen</b>	SVR-504 -- 1/4 SVR-508 -- 1/4/8 SVR-516(+)-- 1/4/16, 9/13 (use my favorite mode)
<b>Full Screen</b>	SVR-504 -- 1/4 SVR-508 -- 1/4/8 SVR-516(+)-- 1/4/16, 9/13 (use my favorite mode)
<b>PTZ Support</b>	Virtual PTZ Panel/Auto Pan/Preset Point/Preset Sequence/Digital PTZ
<b>Sequence Mode</b>	Sequence All/Manually Selected cameras in 1/4 split view with configurable timer
<b>Snapshot</b>	3 continuous snapshots in JPEG format
<b>E-Map</b>	Motion Detected Event Display on E-Map/Google Map
<b>Mobile Device</b>	Live image view through mobile device's web browser Support iPhone/Android/Blackberry iPhone app -- NVR Viewer

### Playback

<b>Split Screen</b>	1/4
<b>Search Method</b>	Time/Date, Event
<b>Playback Controls</b>	Play/Pause/Stop/Forward/Reverse/Speed Adjust/Frame by Frame
<b>Export AVI</b>	Export Playback Videos to Local Computer in AVI Format

### Recording

<b>Capacity</b>	Depends on hard disk
<b>Recording Mode</b>	Manual/Continuous/Scheduling/Event
<b>Scheduling Types</b>	Manual Select/Profile-based/Weekly Mode
<b>Dual Stream</b>	Support different video format for recording other than the one used for live view

### Network

<b>Protocols</b>	HTTP/SMTP/DHCP/ARP/NTP/DNS/UPnP/FTP
<b>Streaming Protocols</b>	Depend on the supported cameras

### User Management

<b>Management</b>	User/Group
<b>Number of Groups</b>	7 (Administrator/Guest/User Define * 5)
<b>Privileges</b>	Live View/Playback/System Configurations/Camera Configurations/Recording Configuration/Event Configuration/Maintenance

### Triggers & Events

<b>Events</b>	<i>System Events</i> -- System Start, System Settings modified, Camera Settings Modified, Start Recycle, Disk Full <i>Camera Events</i> -- Motion/Sensor Detection
<b>Event Actions</b>	Mail/FTP/Buzzer/Record
<b>Event Recording</b>	Pre/Post Event Settings

### Central Management

<b>Central Management</b>	Support SEEnergy 256CH "π-Vu Central Basic" Central Management Software (CMS)
---------------------------	---

### Power & Storage

<b>UPS</b>	Support External UPS System
<b>Storage</b>	Support SATA x 2, Max. 3TB per drive
<b>e-SATA</b>	e-SATA x 1 for ext. storage up to 8TB, SVR-516+ only
<b>RAID</b>	RAID 0/1 for int. HDDs, SVR-516+ only

<b>Log Types (Client PC)</b>	Alert/Event/User Access
------------------------------	-------------------------

### Systems

<b>Mini. Hardware Requirements</b>	CPU: Intel Core 2 Duo @ 2.4 Ghz or higher RAM: 1GB or above Network: 100 Megabit Network Interface or above
<b>Mini. Software Requirements</b>	IE Browser version 7 or above

### General

<b>Languages</b>	English/Trad. Chinese/Simp. Chinese/Japanese/Spanish/Italian/German/Danish/Czech/Polish/French/Russian/Slovensky/Hungarian/Portuguese
<b>Packaging</b>	SVR-500 Series NVR (HD NOT included)/CD with Software tool/Datasheet/Quick Guide/User's Manual/Warranty Card/Power cord

## Application Diagram

