

## Vandal-Resistant 1080p HD Security Camera with View-DR Technology



- Excellent 1080p HD picture quality, supporting H.264 at 30 fps
- 3 Megapixel (1920 × 1440) maximum resolution
- Three codecs (H.264, MPEG-4, JPEG) and a dual streaming capability
- The Exmor™ CMOS sensor incorporated to deliver high image quality and low noise



### Key Features

- View-DR™ technology — Sony's innovative Wide Dynamic Range technology—to capture objects clearly and adaptively even under very severe backlight or highlight conditions.

View-DR



OFF



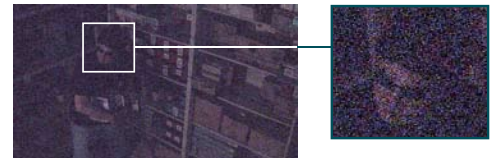
ON

(Actual Images)

- Visibility Enhancer to optimize the brightness and color reproduction of an image dynamically on a pixel-by-pixel basis while continuously adapting to the scene, within the given dynamic range.
- IK10-rated vandal-resistant feature to protect the camera from destructive behaviors.
- Easy Focus/Easy Zoom functions for easy installation.
- DEPA™ Advanced Intelligent Video and Audio Analytics to trigger an alarm, based on user-defined rules.



- Optical Day/Night function to switch to Day or Night mode depending on the light level.
- XDNR™ (eXcellent Dynamic Noise Reduction) technology for clear images without motion blur under low illumination.



OFF



ON

(Actual Images)

- Powered by either AC 24 V, DC 12 V, or PoE (Power over Ethernet) for easy installation.
- Equipped with a BNC connector and a phono jack to instantly monitor the video while installing the camera.
- ONVIF™ (Open Network Video Interface Forum) software that ensures greater interoperability and more flexibility in building multiple-vendor systems.



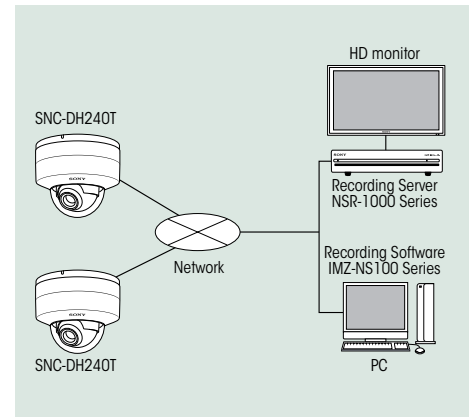
## SPECIFICATIONS

SNC-DH240T	
<b>Camera</b>	
Image device	1/2.8 type progressive scan Exmor CMOS sensor
Minimum illumination	Color: 0.40 lx, B/W: 0.25 lx (F1.2/View-DR OFF/XDNR ON-Middle/VE OFF/AGC High/50 IRE (IP))
Number of effective pixels (H x V)	Approx. 3.27Megapixel (2096x1561)
Electronic shutter speed	1s to 1/10000s
Gain control	Auto (3 levels)
Exposure control	Auto, EV Compensation *1, Auto Slow Shutter *2
White balance mode	Auto (ATW, ATW-PRO), Preset, One-push WB, Manual
Lens type	Built-in Vari-focal lens
Zoom ratio	Optical 2.9X (x2 Digital Zoom)
Horizontal viewing angle	88.5 to 32.3 degrees
Focal length	f=3.1 to 8.9 mm
F-number	F1.2 (Wide), F2.1 (Tele)
Minimum object distance	300 mm
Powered focus	Yes (Easy Focus)
Powered zoom	Yes (Easy Zoom)
<b>Camera Features</b>	
Day/Night*3	Yes
Wide-D	View-DR technology (90dB)
Image enhancement	Visibility Enhancer
Noise reduction	XDNR technology
<b>Image</b>	
Codec image size (H x V)	1920 x 1440, 1600 x 1200, 1680 x 1056, 1920 x 1080, 1440 x 912, 1376 x 768, 1280 x 960, 1280 x 800, 1280 x 720, 1280 x 1024, 1024 x 768, 1024 x 576, 800 x 480, 768 x 576, 720 x 576, 704 x 576, 720 x 480, 640 x 480, 640x 368, 384 x 288, 320 x 240, 320 x 192 (H.264, MPEG-4, JPEG)
Video compression format	H.264, MPEG-4, JPEG
Codec streaming capability	Dual streaming
Maximum frame rate	H264: 20fps (1920 x 1440) / 30fps (1920 x 1080) MPEG-4: 15fps (1920 x 1440) / 20 fps (1920 x 1080) JPEG: 10fps (1920 x 1440) / 15fps (1920 x 1080)
<b>Audio</b>	
Audio compression	G.711/G.726
<b>Scene Analytics</b>	
Intelligent motion detection	Yes (with built-in Post Filter)
Intelligent object detection	No
Rule filter	Yes
<b>Network</b>	
Protocols	IPv4, IPv6, TCP, UDP, ARP, ICMP, IGMP, HTTP, HTTPS, FTP (client/server), SMTP, DHCP, DNS, NTP, RTP/RTCP, RTSP, SNMP (MIB-2)
ONVIF software	Yes
Wireless network	No
Number of clients	10
Authentication	IEEE802.1X
<b>Analog Video Output</b>	
Signal system	NTSC / PAL
Horizontal resolution	600TV lines
S/N ratio	More than 50 dB
<b>Interface</b>	
Ethernet	10BASE-T / 100BASE-TX (RJ-45)
Serial interface	No
Card slots	No
Analog video output	BNC x 1
Analog monitor output	Phono jack x 1
Sensor input	x 1
Alarm output	x 2
External microphone input	Mini-jack (Monaural), MIC IN/LINE IN: 2.5VDC plug-in power
Audio line output	Mini-jack (Monaural), Max output level: 1 Vrms
<b>General</b>	
Weight	2 lb 3 oz (980g)
Dimensions	ø 5 5/8 x 4 3/4 inches (140 x 119 mm)
Power requirements	PoE, AC24V, DC12V
Power consumption	10.2 W max.
Starting temperature	32 to 122°F (0 to 50 °C)
Working temperature	23 to 122°F (-10 to +50 °C)
Storage temperature	-4 to +140 °F (-20 to +60 °C)
Vandal resistant	IK10
Safety regulation	UL2044, FCC 15B Class A, IC Class A, IEC60950-1, EN55022(A)+EN55024+EN50130-4, VCCI Class A, C-Tick Class A
<b>System Requirements</b>	
Operating system	Windows XP®, Windows Vista®, Windows® 7
Processor	Intel Core2 Duo® 2 GHz or higher
Memory	1 GB or more
Web browser	Microsoft Internet Explorer® Ver6.0, 7.0, or 8.0
<b>Supplied Accessories</b>	
CD-ROM (User's guides, SNC Toolbox), Installation manual, Template, Wire rope, Bracket, LAN cable, BNC cable, Power input cable, I/O cable, Audio Cable, Warranty booklet, M4 shoulder screw, M4 screws (2), Wrench	

\*1 VE off mode only. \*2 View-DR off mode only. \*3 Removable IR Cut Filter.

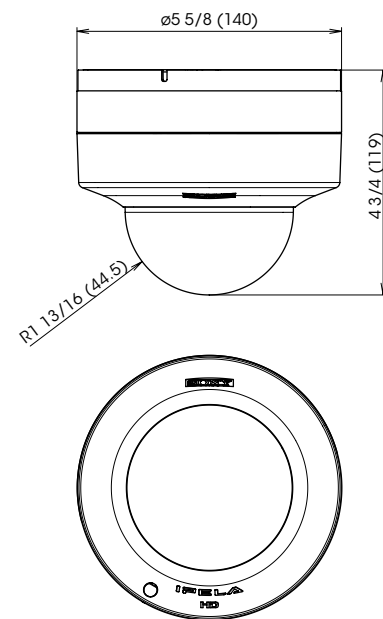
\*The SNC-DH240T include software developed by the OpenSSL Project for use in the OpenSSL Toolkit (<http://www.openssl.org/>).

## SYSTEM CONFIGURATION



## DIMENSIONS

Unit: inches (mm)



© 2010 Sony Electronics Inc. All rights reserved.  
 Reproduction in whole or in part without written permission is prohibited.  
 Features and specifications are subject to change without notice.  
 Weights and measurements are approximate.  
 Sony, 'make.believe', IPELA, DEPA, View-DR, XDNR, Exmor and their respective  
 logos are trademarks of Sony.  
 All other trademarks are the property of their respective owners