

24 Gigabit Web Smart PoE Switch

Model No. SP6524PWS



Introduction

Micronet SP6524PWS is 24-port 10/100/1000M PoE web smart switch, it also comes with four additional mini-GBIC (SFP) slots for supporting Gigabit fiber expansion. The multi-function switch is designed for large network environment or system integrators to strengthen its network connection. It consists of 24 PSE/PoE ports. The capability can help solve the limitation of the power outlet location and offer system designer a flexible solution to locate the network device or power device (PD) anywhere. It also gives you the option of installing it in a 19" cabinet by rack-mount kits. SP6524PWS features 24 IEEE 802.3af Power over Ethernet (PoE) ports supplying up to 15.4 watts per port. This product can convert standard 100~240V /AC power into low-voltage DC that runs over existing LAN cable to power up IEEE 802.3af/at compliant network accessories. It also features PoE awareness to verify whether the network device receive power is IEEE 802.3af/at compliant, or only the data will be sent through LAN cable. It can detects the presence of 802.3af/at compliant devices, supplies power to different appliances, such as IP Camera, wireless AP or IP Phone, to enable a unified supply of data, voice, video and power over standard Cat.5, 5E, 6, and 7 twisted pair cable.

Key Features

- Provide 24 IEEE 802.3af PoE ports, or 12 IEEE 802.3at PoE ports and power supplying up 370 Watts totally
- Support VLAN Tagging (IEEE 802.1Q) and protected port feature for port isolation
- Support Link Aggregation (IEEE 802.3ad) and QoS (DSCP/IEEE 802.1p) feature
- Support IGMP Snooping, SNMP v1 features
- Support Broadcast Storm Protection, port mirroring features
- Support Port Mirroring on one Ethernet port and copy the port data to another port for traffic analysis
- Provide Mozilla Firefox or Microsoft Internet Explorer Web Access and Management

Application

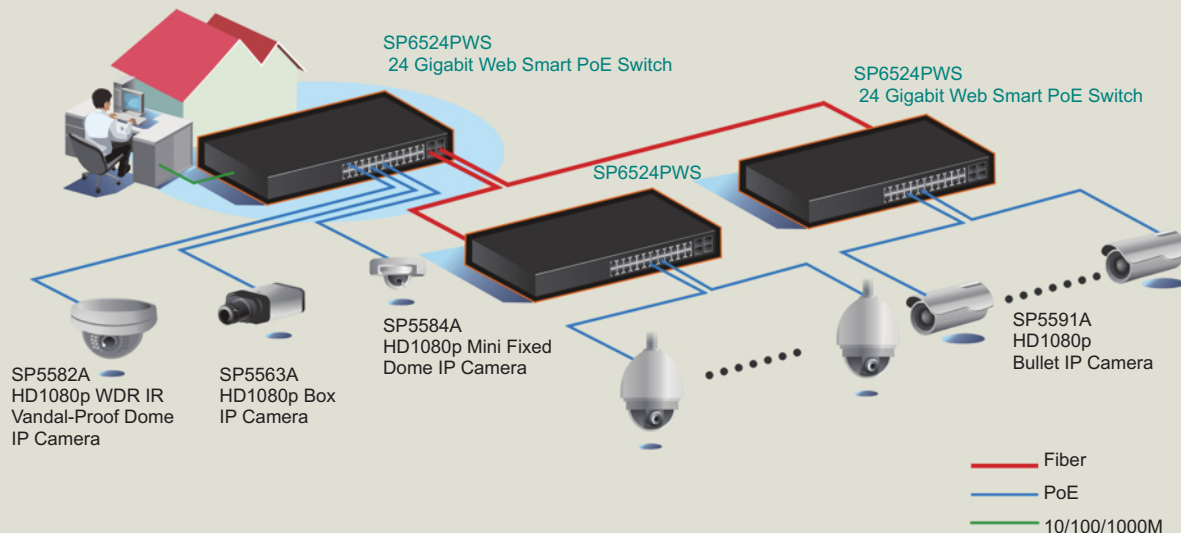
Related Products



SP5591A
HD1080p Bullet IP Camera



SP5584A
HD1080p Mini Fixed Dome IP Camera



24 Gigabit Web Smart PoE Switch

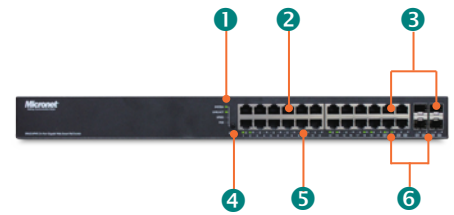
SPECIFICATION AND PRODUCT FEATURES

Model	SP6524PWS	
Standard	<ul style="list-style-type: none"> • IEEE802.3, 10Base-T • IEEE802.3u, 100Base-TX • IEEE802.3u, 100Base-FX • IEEE802.3ab, 1000Base-T 	<ul style="list-style-type: none"> • IEEE802.3z, 1000Base-SX • IEEE802.3z, 1000Base-LX • IEEE802.3, 1000Base-T
Interface	<ul style="list-style-type: none"> • 20 x 10/100/1000M, RJ-45 (PoE) ports • 4 x combo mini-GBIC Slot 	
Feature	<ul style="list-style-type: none"> • Auto Negotiation • Auto MDI/MDI-X • IEEE802.3x, Flow Control • IEEE802.3ad, Link Aggregation(LACP) • Protocol-based VLAN • IEEE802.1q Tag-based VLAN • Port Mirroring • Jumbo Frame • Broadcast Storm • IGMP V1/V2/V3 	
QoS	<ul style="list-style-type: none"> • IEEE802.1p • DSCP 	
Security	Port Self-Loop Detection	
Management	<ul style="list-style-type: none"> • Telnet • Web-based HTTP • Cable Diagnostics • Firmware Upgradable 	
SNMP	SNMPv1	
Environment	Operating: 0~40°C Storage: -20~70°C	
Power	100~240 VAC, 50~60Hz, 370 Watts in total	
Dimension	430 x 350 x 44 mm(W x D x H)	
Weight	6.0 kg	
Emission	CE	

The product specifications are subject to change without prior notice

ORDERING INFORMATION

Model	Description
SP6524PWS	24 Gigabit Web Smart PoE Switch



24 Gigabit Web Smart PoE Switch

Model No. SP6524PWS

- 1 System LED
- 2 10/100/1000 Base-T RJ-45 ports
- 3 100/1G SFP Combo ports
- 4 Mode button
- 5 TP Port Status LEDs
- 6 Combo port Status LEDs

COMPANION PRODUCTS

Consider the following Micronet products as a factor in your network planning.

- Ethernet Switch
- Industrial Ethernet
- IP Surveillance
- Wireless LAN
- VDSL• ADSL and Broadband
- IP Telephony
- KVM Switch
- Network Appliance
- Structured Cabling System

Copyright © 2012 Micronet Communications Inc. All technical information in this document is subject to change without prior notice. Micronet, EtherFast and MicroView are registered trademarks of Micronet Communications Inc. All other trademarks and registered trademarks are properties of their respective holders.