

PR-IPD1141-I 4.0 MP CMOS Network Dome Camera



Key Features

- 1/3" progressive scan CMOS
- Up to 4.0 megapixel
- 2.8 mm fixed focal lens
- Up to 30 m IR range
- Dual stream
- Digital WDR (Wide Dynamic Range)
- 3D DNR (Digital Noise Reduction)
- PoE (Power over Ethernet)
- IP67, IK10
- Mobile monitoring Guarding Vision or CCTV Guard



Specification

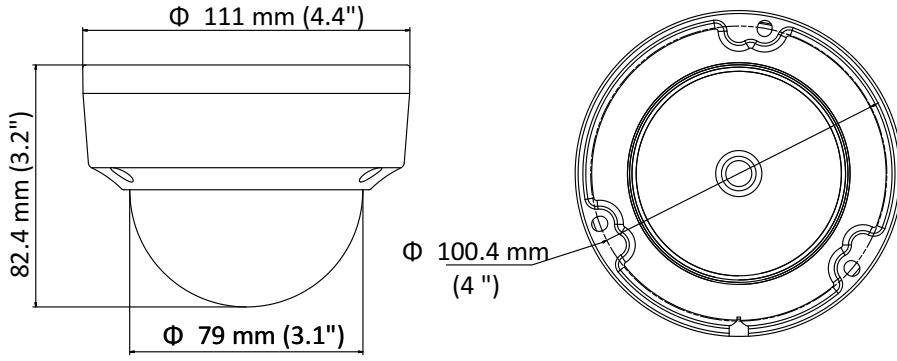
Camera	
Image Sensor	1/3" progressive scan CMOS
Min. Illumination	Color: 0.01 Lux @(F1.2, AGC ON), 0 Lux with IR
Shutter Speed	1/3 s to 1/100, 000 s, support slow shutter
Lens	2.8 mm @F2.0, horizontal field of view 105°
Lens Mount	M12
Day & Night	IR cut filter with auto switch
2-Axis Adjustment	Pan: 0° to 355°, tilt: 0° to 70°
DNR (Digital Noise Reduction)	3D DNR
WDR (Wide Dynamic Range)	Digital WDR
Compression Standard	
Video Compression	Main stream: H.264+/H.264 Sub stream: H.264/MJPEG
H.264 Type	Baseline profile/Main profile
Video Bit Rate	32 Kbps to 8 Mbps
Image	
Max. Resolution	2688 × 1520
Main Stream Max. Frame Rate	50Hz: 20 fps @(2688 × 1520), 20fps @(2304 × 1296), 25fps @(1920 × 1080, 1280 × 720) 60Hz: 20 fps @(2688 × 1520), 20fps @(2304 × 1296), 30fps @(1920 × 1080, 1280 × 720)
Sub-stream Max. Frame Rate	50Hz: 25fps @(640 × 360, 352 × 288) 60Hz: 30fps @(640 × 360, 352 × 240)
Image Settings	Brightness, saturation, contrast, sharpness are adjustable via web browser or client software
Day/Night Switch	Support auto, scheduled
Others	Mirror, BLC (area configurable), region of interest (support 1 fixed region)
Network	
Network Storage	NAS (NFS, SMB/CIFS)
Detections	Motion detection
Alarms	Video tampering, network disconnected, IP address conflicted
Protocols	TCP/IP, ICMP, HTTP, HTTPS, FTP, DHCP, DNS, DDNS, RTP, RTSP, RTCP, NTP, UPnP, SMTP, IGMP, 802.1X, QoS, IPv6, Bonjour
Standard	ONVIF (PROFILE S, PROFILE G), PSIA, CGI, ISAPI
General Function	One-key reset, anti-flicker, heartbeat, mirror, password protection, privacy mask, watermark, IP address filter
Interface	
Communication Interface	1 RJ45 10M/100M self-adaptive Ethernet port
Reset	Support
General	
Operating Conditions	-30 °C to 60 °C (-22 °F to 140 °F), humidity: 95% or less (non-condensing)
Power Supply	12 V DC ± 25%, PoE (802.3af)
Power Consumption	Max. 5 W
Protection Level	IP67, IK10
IR Range	Up to 30 m
Dimensions	Φ 111 mm × 82 mm (4.4" × 3.2")
Weight	500 g (1.1 lb.)



Available Models

PR-IPD1141-I

Dimension



Platform Güvenlik Sistemleri İth.İhr.Tic.Ltd.Şti

🏠 KAPTANPAŞA MH DARÜLACEZE CD BİLAŞ İŞ MERKEZİ B BLOK NO:33 KAT:2 D:33 OKMEYDANI ŞİŞLİ / İSTANBUL

🌐 www.platformguvenlik.com.tr

🌐 www.bayisen.com.tr

🌐 www.prolook.com.tr

☎ 0212 222 66 66

✉ info@bayisen.com.tr

✉ info@platformguvenlik.com.tr

☎ 0212 222 66 66

