

# RF5201IR-A

## 2 Megapixel Full HD, WDR In-/Outdoor & Vandal Proof Wedge IR Dome IP Camera

- H.264 & MJPEG triple-video-stream, two way Audio
- Up to 25fps@1080P (1920x1080)
- True Day/Night and extended WDR (120dB)
- 3.6mm fixed lens, Smart Video Object Detection
- **ONVIF / PSIA** support, PoE (IEEE 802.3af)
- IK-10 Vandal Resistance / IP67 Water Protection
- Integrated IR LEDs, max distance 20m
- Micro SD memory interface



### Specifications

CAMERA	
Image Sensor	1/2.7" 2 Megapixel CMOS
Effective Pixels	1920 x 1080
Scanning System	Progressive scanning
Electronic Shutter Speed	1/4 ~ 1/100000
Shutter Exposure Modes	Automatic/Manual – with selectable fixed shutter speed or configurable min/max shutter speed range Presetting - Low Noise / Low Motion Blur Flicker-Control – Outdoor/50/60Hz
Minimum Illumination	Color: 0.01Lux, F2.0 B/W: IR LED On: 0Lux, F2.0
S/N Ratio	Better than 50dB
CAMERA FEATURES	
White Balance	Auto / Sunny/ Night / Outdoor / Manual
Gain Control	Auto / Manual (configurable level 0-100)
Day/Night	Auto / Manual (3 pre-designed switching levels selectable) - removable IR Cut Filter
Backlight Compensation	BLC On/Off (flexible configurable zone for BLC)
Wide Dynamic Range	True WDR with extended dynamic range up to 120dB
Image Settings	Configurable brightness, contrast, saturation, sharpness, vertical flip & horizontal mirror Corridor Mode (-90° / +90° image flip)
3D Noise Reduction	Configurable digital noise reduction 1-100
Region of Interest (ROI)	Setup of 4 ROI with better image quality setting as for the remain video image
Motion Detection	4 zones with independent setting for detection sensitivity and alarm trigger threshold
Privacy Masking Zones	4 flexible configurable regions
LENS	
Lens	3.6mm fixed lens
Max Aperture	F2.0
Angle of View	Horizontal angle: 93°
VIDEO	
Video Compression	<b>H.264, H.264B, H.264H:</b> Controllable frame rate and image resolution, video stream bandwidth limitation (VBR/CBR) 32K~10Mbps <b>MJPEG:</b> Controllable frame rate and image resolution, bandwidth limitation (CBR)

VIDEO	
Resolution	1080P=1920x1080, SXGA=1280x1024, 1.3M=1280x960, 720P=1280x720, D1=704x576, CIF=352x288
Configurable Frame Rate / Resolution	First Stream: 1080P/SXGA/1.3MP/720P up to 25fps Second Stream: D1/CIF upto 25fps Third Stream: 720P/D1/CIF up to 14fps*/25fps
Burnt-in Text	Time-Date/Name/Text - flexible display position
Analog Video Output	-
AUDIO	
Compression Format	G.711a/ G.711u/ AAC
Interface	1/1 line in/out terminal
NETWORK	
Ethernet	RJ-45 (10/100Base-T)
Protocol	IPv4/IPv6, HTTP, HTTPS, SSL, TCP/IP, UDP, UPnP, ICMP, IGMP, SNMP, RTSP, RTP, SMTP, NTP, DHCP, DNS, PPPOE, DDNS, FTP, IP Filter, QoS, Bonjour, 802.1x
ONVIF / PSIA	Version 2.4.0 (Profile S) / PSIA compliant
Users Connection	Live viewing for up to 20 clients
Security	Multi-level user access with password protection MAC address, IP address or address range filtering function for limit access
GENERAL	
Memory Interface	1x Micro SD/SDHC slot, up to 128GB support. Search interface for event and continuities records, playback and file download (card not included).
I/O Terminal	1x input contact / 1x output contact
IR Working Distance	Up to 20m
Event Sources	- Smart video object detection - Motion detection - Video tamper - DI contact - Audio detection
Event Actions	- Notification service via email message with snapshot, - DO-contact - Video clip / snapshot upload on external FTP server / NAS - Local SD memory card recording
Approvals	FCC, CE, RoHS, IP67, IK10

\* If frame rate and image resolution setting of the first and second video stream is set to highest the max fps of third stream will decrease from 25fps to 14fps in 720P resolution

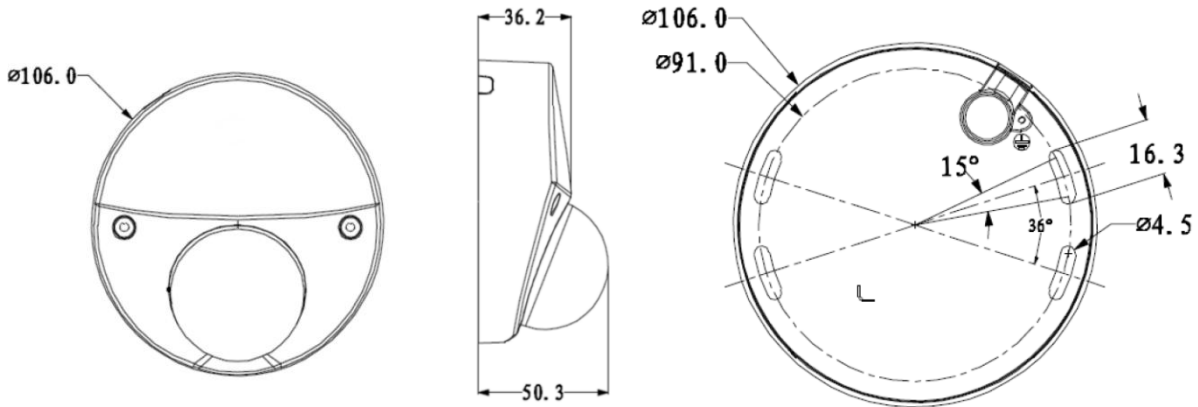
# RF5201IR-A

ELECTRICAL	
<b>Power Source</b>	DC12V, PoE(802.3af)
<b>Power Consumption</b>	Max 5W
<b>Working Environment</b>	-30°C ~ +60°C
<b>Operating Humidity</b>	≤90%, non-condensing
MECHANICAL	
<b>Dimensions</b>	Φ 106mm× 51mm (H)
<b>Weight</b>	0.4 kg
<b>Material</b>	Aluminum Die Casting, Anti-vandal bubble (PC)
<b>Color</b>	White - RAL9003

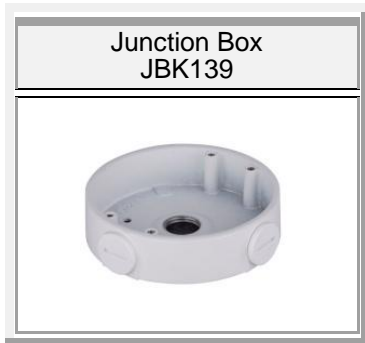
SMART FUNCTION	
<b>Smart Video Object Detection</b>	<ul style="list-style-type: none"> <li>- Trigger Line with direction detection</li> <li>- Zone with object Enter/Leave detection</li> <li>- Zone for Missing /Abandoned object detection</li> <li>- Scene change detection</li> <li>- Face detection</li> </ul>
<b>Audio Detection</b>	Configurable audio input level for audio detection.

## Dimension

(Unit: mm)



## Accessories



To cover IP classification of the camera housing or bracket need accordingly installation