

Mini IP PTZ Camera

Vandal-proof / 360° pan with Auto-flip

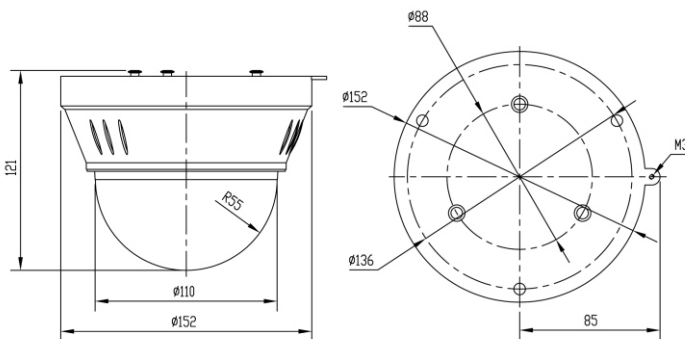
LC-7244

APPRO develops a mini IP speed dome camera: the LC-7244, which delivers MPEG4 / MJPEG video streams at up to 30/25 (NTSC / PAL) frame rate. The LC-7244 camera provides 360 degrees pan with auto flip for flexible indoor surveillance applications.

The LC-7244 equips total zoom 120X (optical 10X, digital 12X) capability and 128 presets to enhance its monitoring options. APPRO LC-7244 supplies user-friendly PnP configurations for smoothly operations, such as SD card for alarm recording and firmware update.

APPRO LC-7244 provides easy-installation feature and professional video surveillance functions at competitive price.

Dimensions:



Features

- Selectable MPEG4 / MJPEG video streams.
- Supports up to 30/25 (NTSC / PAL) fps in all resolutions.
- Supports 360° panning and 90° tilting with auto flip.
- Total 120X zoom (10X optical, 12X digital).
- Supports day and night function.
- Flexible indoor mounting applications.

Mini IP PTZ Camera LC-7244

SPECIFICATIONS

Video system

- Video sensor : 1/4" Sony Exview HAD CCD.
- Min. illumination : 0.1 lux@F1.8.
- Lens : 4.2~42 mm (F1.8~2.9).
- IRIS mode : Auto/ Manual.
- Electronic shutter speed :Auto (1/4 sec ~ 1/10,000 sec).

PTZ Function

- Pan rotation range : 360° continuous rotation.
- Pan speed : 1°~160° /S.
- Tilt rotation range : 0°~90° with auto-flip.
- Tilt speed : 1° ~ 90° /S.
- Zoom : Total zoom 120X, 10X optical zoom, 12X digital zoom.
- Preset : 128 presets.

Image system

- Video compression : MJPEG / MPEG4 selectable.
- Resolutions: 4CIF / 2CIF / CIF.
- Frame rate:
 - MJPEG: 30(25) in all resolutions.
 - MPEG4: 30 (25) / 24 /15, 5 fps, adjustable.
- Image quality : 5 levels.
- Image configurations : Brightness, AWB, BLC, Sharpness, Saturation, Mirror, Flip.
- Motion detection : 96 zones, 5 sensitivities.

Network system

- Support protocols :
 - HTTP, TCP, DHCP, UPnP, ARP, DNS, DynDNS, SNTP, PPPoE, RTSP, *SMTP, *FTP
- Security : Multiple level / Multiple users / IP address filtering.
- Users : 8 simultaneous user access.

Connectors

- Ethernet 10/100 Base-TX, RJ-45.
- Push-in block (8-pins) for : alarm input x 4 / alarm output x 1 / GND x 2.
- BNC connector for analog signal output.
- Power jack (AC 24V).
- SD card slot.

Application

- Alarm management :
 - Alarm triggered by built-in motion detection / external alarm input / network disconnected.
 - Alarm notify to ANNP / e-mail[†] / FTP[†] / SD card / alarm output.
 - Pre-alarm: 100 pictures.
- Video management software :
 - Built-in Web server.
 - APPRO CMS Lite: support 16CH video recording.
- System integration :Comprehensive development SDK kit, including HTTP-API / ActiveX control / Customized Web page tool.
- Update : SD card / HTTP / FTP.

Miscellaneous

- Power : AC 24V.
- Temperature : -10°C - 50°C.

Accessories

- CD x 1.
- Quick installation manual x 1.
- Power adapter x 1.

LC-7244 wall mount application:

- For indoor



*Design and specifications are subject to change without notice.

†FTP and SMTP functions are for PAL version only.

APPRO TECHNOLOGY INC.



www.approtech.com

13F, No. 66, Chung-Cheng Road,
Hsin-Chuang City, Taipei, Taiwan
Tel : 886-2-8992-1177
Fax : 886-2-8992-0077
E-mail : appro@approtech.com
Web site:www.approtech.com

APPRO®
TECHNOLOGY