

network DynaHawk™ 830Z-U Series

6M/4K Ultra High Performance IR PTZ Dome Camera



830Z-U series IR PTZ Dome Camera, with the latest encoding technology and built-in IR LEDs, is the very first 4K speed dome product in the surveillance market, capable of capturing high resolution images during daylight hours and most important, in pitch-black darkness.

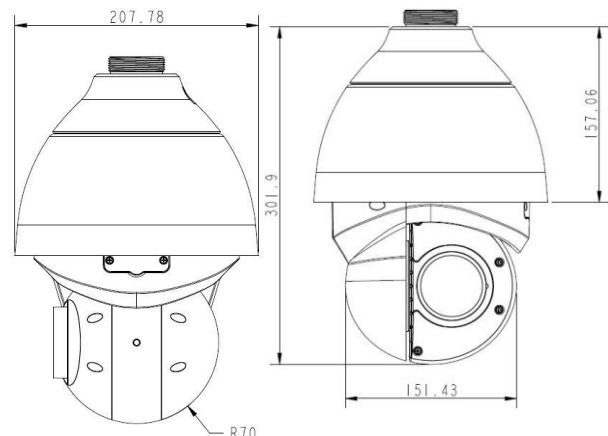
At night, or in any environments where there may be very low lighting, 830Z-U series is able to provide effective lighting up to a distance of 150 meters, and also deliver crystal clear image with high quality 30x optical zoom lens in very long distance.

This model can offer simultaneous Quad Streams and Qual Codec, H.264 Baseline / Main / High Profile, MJPEG for various network applications via speeding or limited bandwidth. With software stablizer algorithm, image can still keep steady in windy weather. IP66 International standard is also gurantee in this model for outdoor installation.

■ Key Features

- Sony Progressive Scan CMOS Sensor
- Up to powerful 30x Optical Zoom
- Digital Zoom Support
- Quad codec support (H.264 Baseline / Main Profile / High Profile / SVC / MJPEG)
- Quad Streams Support
- Quad Codec: H.264 Baseline / Main / Hight Profile + MJPEG
- True Day & Night (ICR)
- 2D/3D Noise Reduction
- 802.3at PoE+ With 4 Pair Support for Heater Activation
- Weatherproof (IP66 International)
- 0 downtime power switching
- IR Distance up to 150m

830 (Outdoor Model)



network DynaHawk™ 830Z-U Series - Ultra High Performance IR PTZ Dome Camera

Camera		30x	
Image Sensor	1/1.8" Sony Progressive CMOS		1/1.7" Sony Progressive CMOS
Optical Zoom		30x	
Digital Zoom		TBD	
Minimum Illumination		0 lux (Color), 0 (B/W) @ F1.5	
Wide Dynamic Range		Gamma WDR On / Off	
Focus Mode		Auto / Manual	
White Balance		Auto / Indoor / Outdoor / ATW / Manual	
Iris Control		Auto / Manual	
Electronic Shutter		1/1 ~ 1/10000 sec.	
AGC Control		Auto / Manual	
Backlight Compensation		On / Off	
Lens			
Focal Length		6-180 mm	
Min. Focus Length		1m (Wide) ; 1m (tele)	
F Number		F 1.5 (Wide) ; F4.3 (Tele)	
FOV		61.2° (Wide); 2.32° (Tele)	
Operation			
Pan Travel		360° endless	
Tilt Travel		-20° ~ 200°	
Manual Speed*		0.5° ~ 90°/s	
Presets		256	
Preset Accuracy		0.225°	
Preset Speed		5° ~ 400°/s	
Sequence		8	
Auto Pan		4	
Cruise		8	
Privacy Mask		16	
Proportional Pan & Tilt		On / Off (Pan and tilt speed proportional to zoom ratio)	
Resume after Power loss		Support	
Home Function		Preset / Sequence / Auto pan / Cruise	
Auto Flip		Image / Mechanical / Off	
Motion Detection		Motion Detection Window x 4 sets	
Day / Night: IR Cut Filter		On / Off	
Image Rotation		Flip / Mirror / Inverse	
Electronic Image Stabilizer		On / Off	
Noise Reduction	2D	On / Off	
	3D	On / Off	
Network			
Networking		RJ-45, 1Gbps Ethernet	
Video Compression		MJPEG / H.264 (MPEG-4 Part 10/AVC) Baseline / Main Profile / High Profile	
Video Stream	Single	H.264 6M (3072x2048) @25/30 fps	H.264 4K2K (3840x2160) @25/30fps
	Dual	H.264 6M (3072x2048) @25/30 fps + 720P @25/30fps H.264 1080P @50/60 fps + H.264 1080P @25/30 fps Note: 1 of the streamings can be MJPEG	H.264 4k2k (3840x2160) @20 fps + H.264 1080P @20 fps H.264 1080P @50/60 fps + H.264 1080P @25/30 fps Note: 1 of the 2M or under streamings can be MJPEG
	Multiple	H.264 1080P @50/60 fps + H.264 SXGA @25/30 fps + H.264 720P @25/30 fps + H.264 D1 @25/30 fps Note: 1 of the streamings can be MJPEG	
Video Resolution	H.264	6M (3072 x 2048) / Full HD 1080P / SXGA / HD 720P / XGA / SVGA / D1 / VGA / CIF / QVGA	4K2K (3840 x 2160) / Full HD 1080P / SXGA / 720P / XGA / SVGA / D1 / VGA / CIF / QVGA
	MJPEG	Full HD 1080P / SXGA / HD 720P / XGA / SVGA / D1 / VGA / CIF / QVGA	
Audio Compression		G.711 / G.726 / AAC	
Audio Stream		Two-way Audio	
Protocols		IPv4/v6, TCP/IP, UDP, RTP, RTSP, HTTP, HTTPS, ICMP, FTP, SMTP, DHCP, PPPoE, UPnP, IGMP, SNMP, QoS, ONVIF, ARP	
Security		HTTPS / IP Filter / IEEE 802.1x	
Alarm	Input	4 Sets / 5V 10kΩ pull up	
	Output	2 Set / Relay output, max. 2A DC 30V / 0.5A AC 125V	
Alarm Reaction		Preset / Sequence / Auto Pan / Cruise	
SD Card		SD Support	
Supported Web Browser		Internet Explore (6.0+) / Chrome / Firefox / Safari	
Password Levels		User and Administrator	
General			
Environment		Outdoor	
Operating Temperature*	Outdoor	TBD	
Dimension	Outdoor	Ø 207.78 x 301.9 mm w/ Sunshield	
Weight	Outdoor	3.8 kg	
Power Source*	Outdoor	802.3at PoE+ (With 4 Pair) / AC 24V ± 20% / DC 12V	
Power Consumption*	Outdoor	TBD	
Regulatory		CE / FCC / RoHS / IP66	

* mark for to be discussed # mark for optional items
Product specification and availability are subject to change without notice.



DYNACOLOR, INC.
No. 116, Jou Tz Street, Neihu, Taipei 114, Taiwan
TEL: (886)2-2659-8898 FAX: (886)2-2659-8868
http://www.dynacolor.com.tw info@dynacolor.com.tw