

RF3203IR

2 Megapixel Full HD In-/Outdoor & Vandal-Proof IR Dome IP Camera

- H.264 & MJPEG triple-video-stream, two way Audio
- Up to 25fps@1080P (1920x1080)
- True Day/Night and digital WDR
- 3~9mm lens with remote zoom and focus, one click focus
- ONVIF support, PoE (IEEE 802.3af)
- IK-10 Vandal Resistance / IP66 Water Protection
- Integrated IR LEDs, max distance 20m
- Micro SD memory interface



Specifications

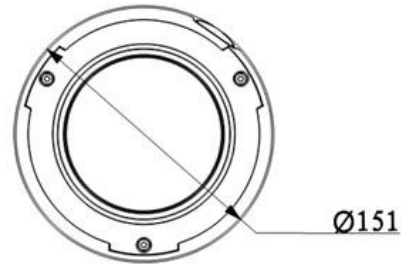
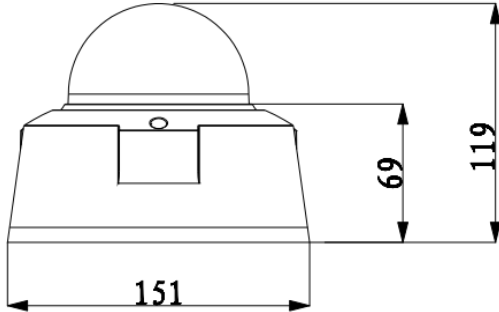
CAMERA	
Image Sensor	1/2.8" 2Megapixel Exmor CMOS
Effective Pixels	1920x1080
Scanning System	Progressive scanning
Electronic Shutter Speed	1/4 ~ 1/10000
Shutter Exposure Modes	Automatic/Manual – with selectable fixed shutter speed or configurable min/max shutter speed range Presetting - Low Noise / Low Motion Blur Flicker-Control – Outdoor/50/60Hz
Minimum Illumination	Color: 0.1lux, F1.4 B/W: 0Lux, F1.4 (IR LED On)
S/N Ratio	Better than 50dB
CAMERA FEATURES	
White Balance	Auto / Sunny/ Night / Outdoor / Manual
Gain Control	Auto / Manual (configurable level 0-100)
Day/Night	Auto/Manual (3 pre-designed switching levels selectable) - removable IR Cut Filter
Backlight Compensation	BLC On/Off (flexible configurable zone for BLC)
Wide Dynamic Range	Digital WDR (configurable level 0-100)
Image Settings	Configurable brightness, contrast, saturation, sharpness, vertical flip & horizontal mirror function
3D Noise Reduction	Configurable digital noise reduction 1-100
Motion Detection	4 zones with independent configuration of detection sensitivity and alarm trigger threshold
Privacy Masking Zones	4 flexible configurable regions
LENS	
Lens	3.0(w) – 9.0mm(t), DC Auto Iris, Motorized Focus & Zoom Control – One Click Focus Function
Max Aperture	F1.4
Angle of View	Horizontal angle: 105°(Wide) ~ 36°(Tele)
VIDEO	
Video	H.264: Controllable frame rate and image resolution, video stream bandwidth limitation (VBR/CBR 48K ~ 8192Kbps) MJPEG: Controllable frame rate and image resolution, bandwidth limitation (CBR)
Resolution	1080P=1920x1080, 720P=1280x720, D1=704x576, CIF=352x288
Frame Rate	First Stream: 1080P/720P up to 25fps configurable Second Stream: D1/CIF up to 25fps configurable Third Stream: 720P/D1/CIF up to 25fps configurable*
Burnt-in Text	Time-Date / Name - flexible display position
Analog Video Output	PAL Signal (1.0Vp-p, 75Ω)

AUDIO	
Compression Format	G.711a /G.711u /PCM
Interface	1/1 line in/out terminal
NETWORK	
Ethernet	RJ-45 (10/100Base-T)
Protocol	IPv4/IPv6, HTTP, HTTPS, SSL, TCP/IP, UDP, UPnP, ICMP, IGMP, SNMP, RTSP, RTP, SMTP, NTP, DHCP, DNS, PPPOE, DDNS, FTP, IP Filter, QoS, Bonjour
ONVIF	Version 2.4.1 (support Profile S)
Users Connection	Live viewing for up to 20 clients
Security	Multi-level user access with password protection MAC address, IP address or address range filtering function for limit access
GENERAL	
Memory Interface	1x Micro SD/SDHC slot, max 64GB support (Recommend Class 6 and higher for HD recording)
I/O Terminal	1x input contact / 1x output contact
IR Working Distance	Approx 20m
Event Sources	Motion detection, Video tamper, DI contact
Event Actions	- Notification service via email message with snapshot, - DO-contact - Video clip / snapshot upload on external FTP server / NAS - Local SD memory card recording
Approvals	FCC, CE,IP66, IK10, RoHs
ELECTRICAL	
Power Source	AC24V/DC12V, PoE(802.3af)
Power Consumption	Max 7W
Working Environment	-20°C ~ +60°C
Operating Humidity	≤90%, non-condensing
MECHANICAL	
Dimensions	151mm (Φ) x 119mm (H)
Weight	1.25kg
Material	Aluminum Die Casting, Anti-vandal bubble (PC)

* Depending of frame rate and image resolution configuration for first /second video stream the max fps of third stream can diversity between 10-25fps in highest resolution.

RF3203IR

Dimension (Unit: mm)



Accessories

Wall Mount Bracket
WMB302S* (IP66)



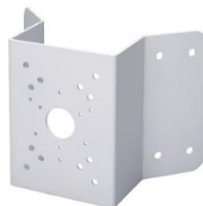
Hanging Mount Adapter
HMA100



Pole Mount Adapter
PMA150



Corner Mount Adapter
CMA151



Junction Box
JBK132 (IP65)



* Note: For dome installation via wall bracket it's necessary to use Hanging Mount Adapter. To cover IP classification of the camera housing or bracket need accordingly installation