

2MP Mini Fixed Bullet Network Camera

IPC2122LR3-PF40 (60)-C



Key Features

Optics

- Day/night functionality
- Smart IR , up to 30 m (98 ft) IR distance
- Optical glass window with higher light transmittance
- IR anti-reflection window to increase the infrared transmittance
- 3D DNR (Digital Noise Reduction)

Compression

- H.265, H.264, MJPEG
- Triple streams

Network

- ONVIF Conformance

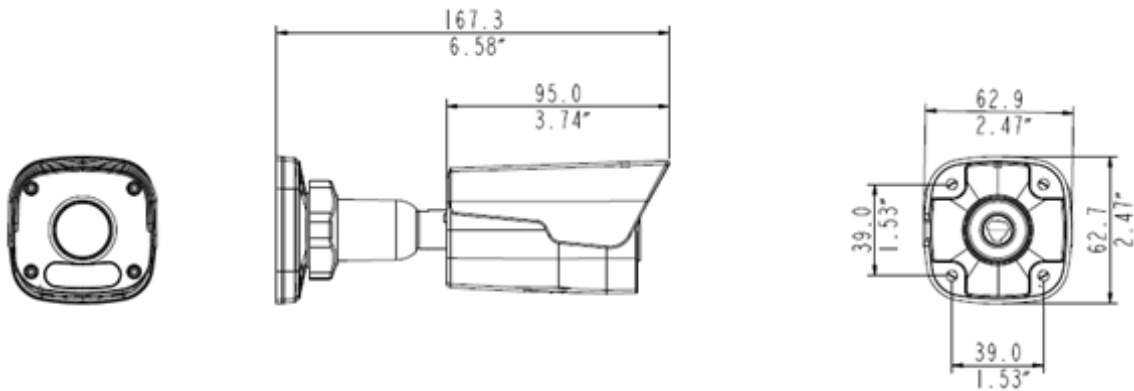
Structure

- Wide temperature range: -30°C to 60°C (-22°F to 140°F)
- Wide voltage range of $\pm 25\%$
- IP66

Specifications

	IPC2122LR3-PF40-C	IPC2122LR3-PF60-C
Camera		
Sensor	1/2.7", 2.0 megapixel, progressive scan, CMOS	
Lens	4.0mm@F1.8	6.0mm@F1.8
Angle of View(H)	80.8°	54.9°
Shutter	Auto/Manual, 1/6~1/100000 s	
Min. Illumination	Colour: 0.02 Lux (F1.8, AGC ON) 0 Lux with IR on	
IR Range	Up to 30m (98 ft) IR range	
Day/Night	IR-cut filter with auto switch (ICR)	
S/N	>52dB	
WDR	Digital	
Noise Reduction	2D/3D	
Video		
Max. Resolution	1920×1080	
Video Compression	H.265, H.264, MJPEG	
Frame Rate	1080P (1920×1080): Max. 25 fps; 720P (1280×720): Max. 30 fps; D1 (720×576): Max. 8 fps	
Video Streaming	Triple	
ROI	Supported	
HLC	Supported	
Evaluative Metering	Supported	
OSD	Up to 8 OSDs	
Motion Detection	Up to 4 areas	
Privacy Mask	Up to 8 areas	
Network		
Protocols	IPv4, IGMP, ICMP, ARP, TCP, UDP, DHCP, RTP, RTSP, RTCP, DNS, DDNS, NTP, FTP, UPnP, HTTP, HTTPS, SMTP	
Compatible Integration	ONVIF, API	
Interface		
Network	1 RJ45 10M/100M Base-TX Ethernet	
General		
Power	12 V DC, or PoE (IEEE802.3 af)	
	Power consumption: Max 5.0W	
Dimensions (L × W × H)	157.3 × 62.4 × 63 mm (6.2" × 2.5" × 2.5")	
Weight	0.25kg (0.55 lb)	
Working Environment	-30°C ~ +60°C (-22°F ~ 140°F), Humidity ≤ 95% RH(non-condensing)	
Ingress Protection	IP66	

Dimensions



Zhejiang Uniview Technologies Co., Ltd.

Building No.10, Wanlun Science Park, Jiangling Road 88, Binjiang District, Hangzhou, Zhejiang, China (310051)

Email: overseasbusiness@uniview.com; globalsupport@uniview.com

<http://www.uniview.com>

©2017 Zhejiang Uniview Technologies Co., Ltd. All rights reserved.

*Product specifications and availability are subject to change without notice.