

# 2MP VF Network IR Bullet Camera

IPC2322EBR5-P-C



## Key Features

### Optics

- Day/night functionality
- Smart IR, up to 50m (164 ft) IR distance
- 3D DNR (Digital Noise Reduction)

### Compression

- H.265, H.264, MJPEG
- Embedded smart algorithm
- Triple streams
- ROI (Region of Interest)
- 9:16 corridor mode

### Network

- ONVIF Conformance

### Structure

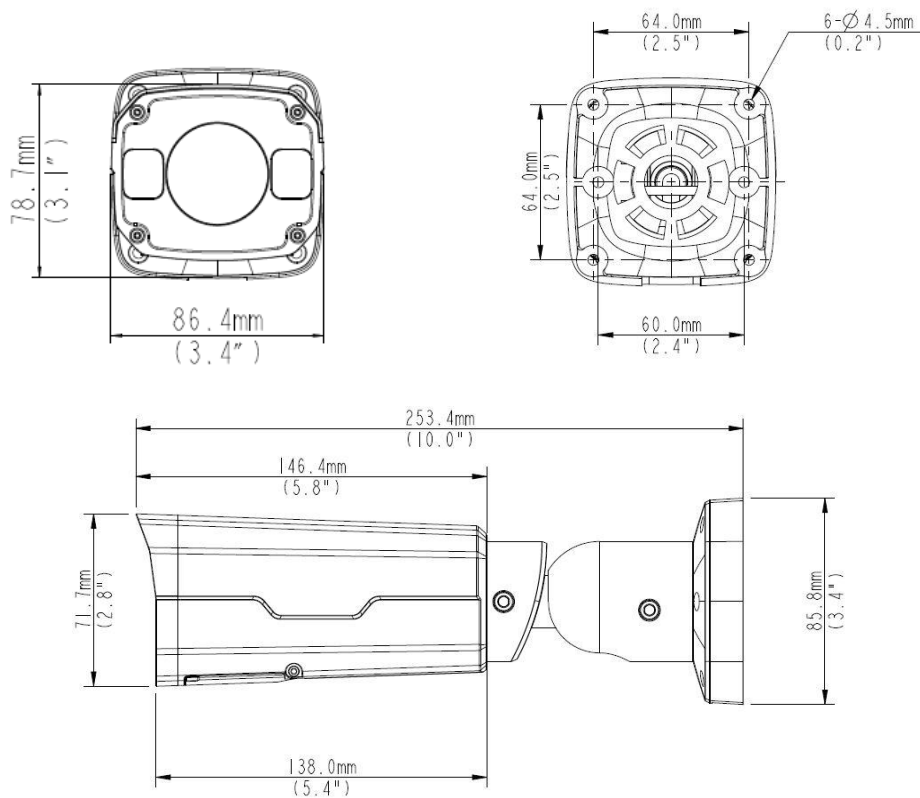
- Support PoE power supply
- Wide temperature range: -35°C to 60°C (-31°F to 140°F)
- Wide voltage range of  $\pm 25\%$
- IP67

## Specifications

|                            |   |
|----------------------------|---|
|                            | IPC2322EBR5-P-C   |
| <b>Camera</b>              |   |
| Sensor                     | 1/2.9", 2 Megapixel, progressive scan CMOS  |
| Lens                       | 2.8~12 mm@F1.4  |
| Angle of View(H)           | 94° ~ 28°   |
| Zoom/Focus                 | Manual  |
| Shutter                    | Auto/Manual, 1/6~1/100000s  |
| Min. Illumination          | Colour: 0.06 Lux (F1.4, AGC ON)<br>0 Lux with IR  |
| Day/Night                  | IR-cut filter with auto switch (ICR)  |
| S/N                        | >52dB   |
| <b>Video</b>               |   |
| Max. Resolution            | 1920 × 1080   |
| Video Compression          | H.265, H.264, MJPEG   |
| Frame Rate                 | 1080P (1920*1080): Max. 30 fps; 720P (1280*720): Max. 30 fps; D1 (720*576): Max.8 fps                                     |
| Video Streaming            | Triple  |
| 9:16 Corridor Mode         | Supported   |
| ROI                        | Supported   |
| HLC                        | Supported   |
| Evaluative Metering        | Supported   |
| OSD                        | Up to 8 OSDs  |
| Privacy Mask               | Up to 8 areas   |
| <b>Audio</b>               |   |
| Audio Compression          | G.711   |
| Two-way audio              | Supported   |
| <b>Smart</b>               |   |
| Behavior Detection         | Intrusion, crossing line, motion detection  |
| Exception Detection        | Audio detection   |
| Intelligent Identification | Face detection, Defocus, Scene Change   |
| Statistical Analysis       | People counting   |
| <b>Storage</b>             |   |
| Edge Storage               | Micro SD, up to 128 GB  |
| <b>Network</b>             |   |
| Protocols                  | L2TP, IPv4, IGMP, ICMP, ARP, TCP, UDP, DHCP, PPPoE, RTP, RTSP, RTCP, DNS, DDNS, NTP, FTP, UPnP, HTTP, HTTPS, SMTP, 802.1x |
| Compatible Integration     | ONVIF, API  |
| <b>Interface</b>           |   |
| Audio I/O                  | Audio cable   |
|                            | Input: impedance 35 kΩ; amplitude 2 V [p-p]   |
|                            | Output: impedance 600 Ω; amplitude 2 V [p-p]  |
| Alarm I/O                  | 1 / 1   |
| Network                    | 10M/100M Base-TX Ethernet   |

| General                |  |
|------------------------|--|
| Power                  | 12 V DC, or PoE (IEEE802.3 af)                                   |
|                        | Power consumption: Max 8W  |
| Dimensions (L × W × H) | 253.4 × 86 × 71.7 mm (9.98" × 3.4" × 2.8")                       |
| Material               | Cast aluminum  |
| Weight                 | 0.58kg (1.28lb)  |
| Working Environment    | -35°C ~ +60°C (-31°F ~ 140°F), Humidity ≤ 95% RH(non-condensing) |
| Ingress Protection     | IP67   |

## Dimensions



## Accessories

| Installation mode | Accessories  | Description  |
|-------------------|--------------|--|
| Wall mount        | \            | Mounting pedestal is included in the Product package |
| Ceiling mount     | \            | Mounting pedestal is included in the Product package |
| Rail mount        | TR-UP06-A-IN | For outdoor rail installation                        |
| Pole mount        | TR-UP06-A-IN | For outdoor pole installation                        |

**Zhejiang Uniview Technologies Co., Ltd.**

South Tower, Building 10, Wanlun Science Park, 88 Jiangling Road, Hangzhou, P.R.China 310051

Email: [overseasbusiness@uniview.com](mailto:overseasbusiness@uniview.com); [globalsupport@uniview.com](mailto:globalsupport@uniview.com)

<http://www.uniview.com>

©2015-2017 Zhejiang Uniview Technologies Co., Ltd. All rights reserved.

\*Product specifications and availability are subject to change without notice.