

4MP VF Network IR Bullet Camera

IPC2324EBR-DPZ28



Key Features

Optics

- Day/night functionality
- Smart IR, up to 30m (98 ft) IR distance
- Up to 120 dB Optical WDR(Wide Dynamic Range)
- 3D DNR (Digital Noise Reduction)

Compression

- H.265, H.264, MJPEG
- Embedded smart algorithm
- Triple streams
- ROI (Region of Interest)
- 9:16 corridor mode
- Customized OSD

Network

- ONVIF Conformance

Structure

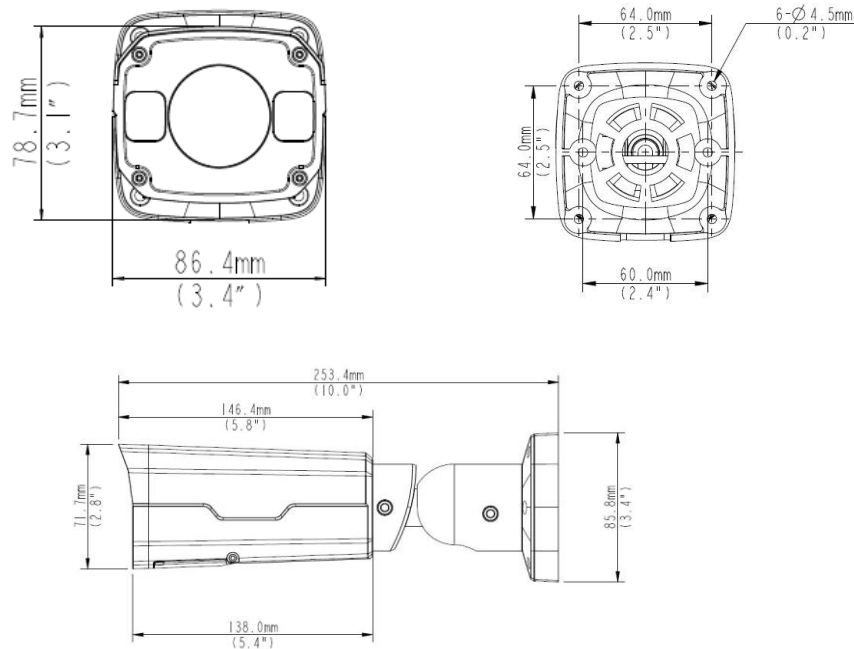
- Wide temperature range: -35°C to 60°C (-31°F to 140°F)
- Wide voltage range of $\pm 25\%$
- IP67

Specifications

| | |
|----------------------------|--|
| | IPC2324EBR-DPZ28 |
| Camera | |
| Sensor | 1/3", 4 megapixel, progressive scan CMOS |
| Lens | 2.8~12mm @F1.4 |
| Angle of View(H) | 91°~27° |
| Zoom/Focus | Motor drive |
| Shutter | Auto/Manual, 1/6~1/100000 s |
| Min. Illumination | Colour: 0.02 Lux (F1.4, AGC ON) 0 Lux with IR on |
| IR Range | Up to 30m (98 ft) IR range |
| Day/Night | IR-cut filter with auto switch (ICR) |
| S/N | >55 dB |
| WDR | Optical WDR (up to 120 dB) |
| Video | |
| Max. Resolution | 2592 × 1520 |
| Video Compression | H.265, H.264, MJPEG |
| Frame Rate | 4MP (2592×1520): Max. 20 fps; 4MP (2560×1440): Max. 25 fps 3MP (2048×1520): Max. 30 fps; 1080P (1920×1080): Max. 30 fps |
| Video Streaming | Triple |
| 9:16 Corridor Mode | Supported |
| ROI | Supported |
| HLC | Supported |
| Evaluative Metering | Supported |
| OSD | Up to 8 OSDs |
| Privacy Mask | Up to 8 areas |
| Smart | |
| Behavior Detection | Intrusion, crossing line, motion detection |
| Exception Detection | Audio detection |
| Intelligent Identification | Face detection, Defocus, Scene Change |
| Statistical Analysis | People counting |
| Audio | |
| Audio Compression | G.711 |
| Two-way audio | Supported |
| Storage | |
| Edge Storage | Micro SD, up to 128 GB |
| Network | |
| Protocols | L2TP, IPv4, IGMP, ICMP, ARP, TCP, UDP, DHCP, PPPoE, RTP, RTSP, RTCP, DNS, DDNS, NTP, FTP, UPnP, HTTP, HTTPS, SMTP, SIP, 802.1x |
| Compatible Integration | ONVIF, API |
| Interface | |
| Audio I/O | Audio cable |
| | Input: impedance 35 kΩ; amplitude 2 V [p-p] |

| | |
|------------------------|--|
| | Output: impedance 600 Ω; amplitude 2 V [p-p] |
| Alarm I/O | 1 / 1 |
| Network | 10M/100M Base-TX Ethernet |
| General | |
| Power | 12 V DC, or PoE (IEEE802.3 af) |
| | Power consumption: Max 9W |
| Dimensions (L × W × H) | 253.4 × 86 × 71.7 mm (9.98" × 3.4" × 2.8") |
| Material | Cast aluminum |
| Weight | 0.93 kg (2.05 lb) |
| Working Environment | -35°C ~ +60°C (-31°F ~ 140°F), Humidity ≤ 95% RH(non-condensing) |
| Ingress Protection | IP67 |

Dimensions



Accessories

| Installation mode | Accessories | Description |
|-------------------|--------------|--|
| Wall mount | \ | Mounting pedestal is included in the Product package |
| Ceiling mount | \ | Mounting pedestal is included in the Product package |
| Rail mount | TR-UP06-A-IN | For outdoor rail installation |
| Pole mount | TR-UP06-A-IN | For outdoor pole installation |

Zhejiang Uniview Technologies Co., Ltd.

South Tower, Building 10, Wanlun Science Park, 88 Jiangling Road, Hangzhou, P.R.China 310051

Email: overseasbusiness@uniview.com; globalsupport@uniview.com

<http://www.uniview.com>

©2015-2017 Zhejiang Uniview Technologies Co., Ltd. All rights reserved.

*Product specifications and availability are subject to change without notice.