

# 2MP 22x Starlight WDR Network IR Bullet Camera

IPC252ERA-X22DUG



## Key Features

### Optics

- Starlight illumination
- Accurate and fast focusing
- Smart IR, up to 200 m (656 ft) IR distance
- Up to 120 dB WDR(Wide Dynamic )
- Auto day/night functionality
- Optical glass window with higher light transmittance
- IR anti-reflection window to increase the infrared transmittance

### Compression

- H.265, H.264, MJPEG
- Embedded smart algorithm
- Triple Streams
- ROI (Region of Interest)
- 9:16 corridor format
- Customized OSD

### Network

- ONVIF Conformance

## Structure

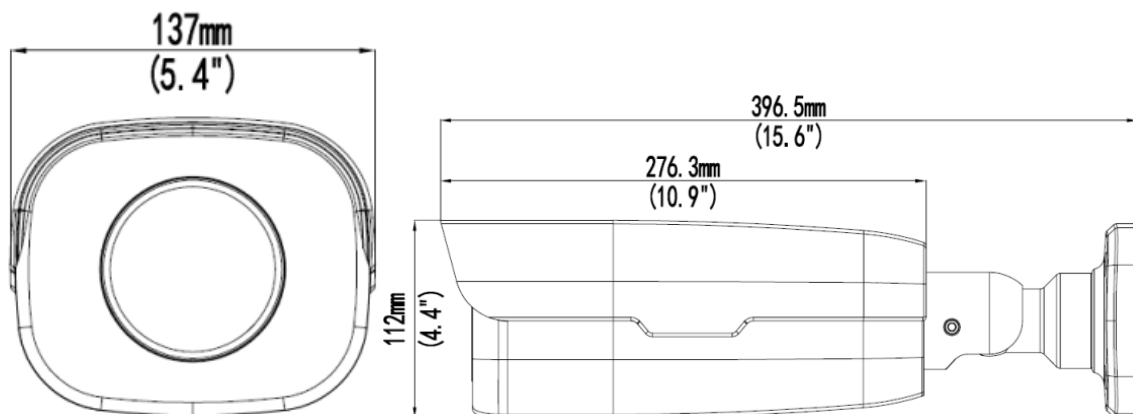
- Wide temperature range: -40°C to 60°C (-40°F to 140°F)
- Wide voltage range of ±25%
- IP67

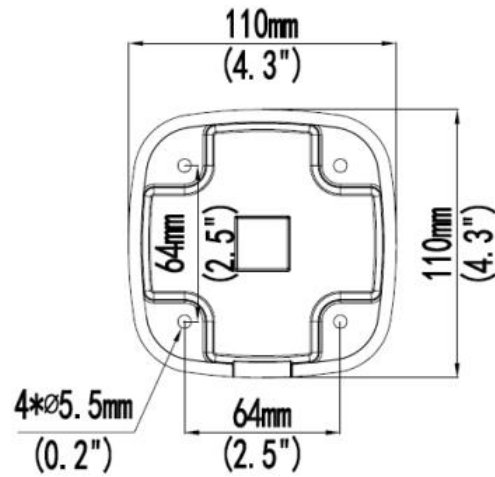
## Specifications

<b>Camera</b>	IPC252ERA-X22DUG
Sensor	1/1.9", 2 megapixel, progressive scan CMOS
Lens	6.5 ~ 143 mm
Angle of view(H)	59°(wide) ~ 3°(tele)
Zoom/Focus	22x optical zoom/ Auto Focus
Shutter	Auto/Manual, 1/6~1/100000 s
Iris	Auto/Manual, F1.5~F3.4, DC-Iris
Minimum Illumination	Colour: 0.002 Lux (F1.5, AGC ON) 0 Lux with IR
IR Range	up to 200 m (656 ft) IR range
Day/Night	IR-cut filter with auto switch (ICR)
S/N	>52 dB
WDR	120 dB
<b>Video</b>	
Max. Resolution	1920 x 1080
Video Compression	H.265, H.264, MJPEG
Frame Rate	1080P (1920×1080):Max.60 fps; 1080P (1920×1080):Max.15 fps 1080P (1920×1080):Max.60 fps;720P (1280×720):Max.30 fps;D1 (720×576):Max.15 fps 1080P (1920×1080):Max.30 fps;720P (1280×720):Max.30 fps;D1 (720×576):Max.30 fps
Video Streaming	Triple
9:16 Corridor Mode	Supported
ROI	Supported
HLC	Supported
Evaluative Metering	Supported
OSD	Up to 8 OSDs
Motion Detection	Up to 4 areas
Privacy Mask	Up to 8 areas
<b>Smart</b>	
Behavior Detection	Intrusion, crossing line, motion detection
Exception Detection	Audio detection
Intelligent Identification	Face detection, Defocus, Scene Change
Statistical Analysis	People counting
<b>Audio</b>	
Audio Compression	G.711

Two-way audio	Supported
<b>Storage</b>	
Edge Storage	Micro SD, up to 128 GB
<b>Network</b>	
Protocols	L2TP, IPv4, IGMP, ICMP, ARP, TCP, UDP, DHCP, PPPoE, RTP, RTSP, RTCP, DNS, DDNS, NTP, FTP, UPnP, HTTP, HTTPS, SMTP, 802.1x
Compatible Integration	ONVIF, API
<b>Interface</b>	
Audio I/O	Audio cable
	1 Input: impedance 35 k $\Omega$ ; amplitude 2 V [p-p]
	1 Output: impedance 600 $\Omega$ ; amplitude 2 V [p-p]
Alarm I/O	2 / 1
Serial Port	1 RS485 (support Pelco-D/P)
Network	100M Base-FX SFP + 100M Base-TX Ethernet
Video Output	1 BNC, impedance 75 $\Omega$ ; amplitude 1 V [p-p]
<b>General</b>	
Power	24 V AC $\pm$ 25%
	Power consumption: 6~19.5W
Dimensions (L $\times$ W $\times$ H)	396.5 $\times$ 137 $\times$ 112mm (15.6" $\times$ 5.4" $\times$ 4.4")
Material	Cast aluminum
Weight	3.7 kg (8.2 lb)
Working Environment	-40°C ~ +60°C (-40°F ~ 140°F), Humidity $\leq$ 95% RH(non-condensing)
Ingress Protection	IP67

## Dimensions





## Accessories

Installation mode	Accessories	Description
Wall mount	\	Mounting pedestal is included in the Product package
Ceiling mount	\	Mounting pedestal is included in the Product package
Rail mount	TR-UP06-A-IN	For outdoor rail installation
Pole mount	TR-UP06-A-IN	For outdoor pole installation

### Zhejiang Uniview Technologies Co.,Ltd.

South Tower, Building 10, Wanlun Science Park, 88 Jiangling Road, Hangzhou, P.R.China 310051

Email: [overseasbusiness@uniview.com](mailto:overseasbusiness@uniview.com); [globalsupport@uniview.com](mailto:globalsupport@uniview.com)

<http://www.uniview.com>

©2016-2017 Zhejiang Uniview Technologies Co.,Ltd. All rights reserved.

\*Product specifications and availability are subject to change without notice.