

# 2MP Fixed Dome Network Camera

IPC3612ER3-PF28 (40) (60)-B



## Key Features

### Optics

- Day/night functionality
- Optical glass window with higher light transmittance
- IR anti-reflection window to increase the infrared transmittance
- Smart IR, Up to 30 m (98 ft) IR distance
- 3D DNR (Digital Noise Reduction)

### Compression

- H.265, H.264, MJPEG
- Embedded smart algorithm
- Triple streams
- 9:16 corridor mode

### Network

- ONVIF Conformance

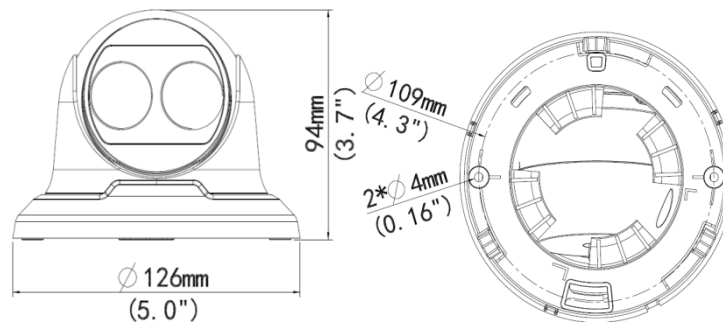
### Structure

- Wide temperature range: -35°C to 60°C (-31°F to 140°F)
- Wide voltage range of  $\pm 25\%$
- 4 KV surge protection designed for network interface
- IP67

## Specifications

	IPC3612ER3-PF28-B	IPC3612ER3-PF40-B	IPC3612ER3-PF60-B
<b>Camera</b>			
Sensor	1/2.7", 2megapixel, progressive scan, CMOS		
Lens	2.8mm@F1.8	4.0mm@F1.8	6.0mm@F1.8
Angle of view(H)	109.9°	80.8°	54.9°
Shutter	Auto/Manual, 1/6~1/100000 s		
Min. Illumination	Colour: 0.02 Lux (F1.8, AGC ON) 0 Lux with IR		
IR	30m (98ft) IR range		
Day/Night	IR-cut filter with auto switch (ICR)		
WDR	Digital		
AWB(Auto white balance)	Auto/manual		
Gain Control	Auto/manual		
Image Rotation	Supported		
Noise Reduction	2D/3D		
<b>Video</b>			
Max. Resolution	1920×1080		
Video Compression	H.265, H.264, MJPEG		
Frame Rate	1080P (1920×1080): Max. 30 fps; 720P (1280×720): Max. 30 fps; D1 (720×576): Max. 30 fps		
Video Streaming	Triple		
9:16 Corridor Format	Supported		
Evaluative Metering	Supported		
OSD	Up to 8 OSDs		
Motion Detection	Up to 2 areas		
Privacy Mask	Up to 8 areas		
<b>Smart</b>			
Behavior Detection	Intrusion, crossing line, motion detection		
Intelligent Identification	Face detection, Defocus, Scene Change		
Statistical Analysis	People counting		
<b>Network</b>			
Protocols	IPv4, IGMP, ICMP, ARP, TCP, UDP, DHCP, PPPoE, RTP, RTSP, RTCP, DNS, DDNS, NTP, FTP, UPnP, HTTP, HTTPS, SMTP, 802.1x		
Compatible Integration	ONVIF,API		
<b>Interface</b>			
Network	10M/100M Base-TX Ethernet		
<b>General</b>			
Power	12 V DC, or PoE (IEEE802.3 af)		
	Power consumption: 3.5W (5.5W with IR on)		
Dimensions (Ø x H)	Ø126 x 94 mm (Ø5.0" x 3.7")		
Weight	0.33 kg (0.73lb)		
Working Environment	-35°C ~ +60°C (-31°F ~ 140°F), Humidity ≤ 90% RH(non-condensing)		
Ingress Protection	IP67		

## Dimensions



**Zhejiang Uniview Technologies Co., Ltd.**

South Tower, Building 10, Wanlun Science Park, 88 Jiangling Road, Hangzhou, P.R.China 310051

Email: [overseasbusiness@uniview.com](mailto:overseasbusiness@uniview.com); [globalsupport@uniview.com](mailto:globalsupport@uniview.com)

<http://www.uniview.com>

©2016-2017 Zhejiang Uniview Technologies Co., Ltd. All rights reserved.

\*Product specifications and availability are subject to change without notice.