

2MP Starlight Laser IR Network PTZ Dome Camera

IPC6252SL-X33UP



Key Features

Optics

- Starlight illumination
- 33x optical zoom
- Accurate and fast focusing
- IR anti-reflection window to increase the infrared transmittance
- Optical glass window with higher light transmittance
- Smart IR, 30m(98ft) IR distance
- Vari-focal laser: 30m to 500m(1640ft) distance, proportional to optical zoom of camera module

Compression

- H.265, H.264, MJPEG
- Embedded smart algorithm
- Triple streams
- Customized OSD

Network

- ONVIF Conformance

Structure

- Special structure and window design to battle bad weather (especially in dusty weather)
- Innovative snow-removing functionality
- Intelligent temperature control technology
- More effective heat dissipation system
- 6 KV surge protection designed for network interface

Specifications

| IPC6252SL-X33UP | |
|----------------------------|--|
| Camera | |
| Sensor | 1/2.8" progressive scan, 2megapixel, CMOS |
| Angle of View(H) | 62.93° (wide)~3.67° (tele) |
| Zoom/Focus | 4.5 ~ 148.5 mm (33x optical zoom) |
| Shutter | Auto/Manual, shutter time: 1/6 s ~ 1/100000 s |
| Minimum Illumination | Colour: 0.002 lux (F1.6, AGC ON) 0 lux with IR |
| Iris | Auto/Manual, F1.6 ~ F4.4 |
| Day/Night | IR-cut filter with auto switch (ICR) |
| S/N | >52dB |
| WDR | 120 dB |
| Video | |
| Video Compression | H.265, H.264, MJPEG |
| Frame Rate | 1080P (1920×1080):Max.60 fps; 1080P (1920×1080):Max.15 fps;D1 (720×576):Max.8 fps 1080P (1920×1080):Max.60 fps;720P (1280×720):Max.30 fps;D1 (720×576):Max.15 fps |
| Video Streaming | Triple |
| HLC | Supported |
| Evaluative Metering | Supported |
| OSD | Time, custom, preset, PTZ coordinates, zoom, cardinal direction, network interface |
| Privacy Mask | Up to 8 areas |
| Smart | |
| Behavior Detection | Intrusion, crossing line, motion detection, Auto tracking |
| Exception Detection | Audio detection |
| Intelligent Identification | Face detection |
| Statistical Analysis | People counting |
| Audio | |
| Audio Compression | G.711 |
| Two-way Audio | Supported |
| Storage | |
| Edge Storage | Micro SD, up to 128 GB |

Network

| | |
|------------------------|--|
| Protocols | L2TP, IPv4, IGMP, ICMP, ARP, TCP, UDP, DHCP, PPPoE, RTP, RTSP, RTCP, DNS, DDNS, NTP, FTP, UPnP, HTTP, HTTPS, SMTP, SIP, 802.1x |
| Compatible Integration | ONVIF, API |

Pan & Tilt

| | |
|-------------------|--|
| Pan Range | 360° |
| Pan Speed | 0.1°/s ~ 240°/s |
| | Preset speed: 300°/s |
| Tilt Range | -15° ~ +90° (auto reverse) |
| Tilt Speed | 0.1° ~ 160°/s |
| | Preset speed: 240°/s |
| Number of Presets | 256 |
| Patrol | Preset patrol, route patrol, recorded patrol |
| Home Position | Supported |

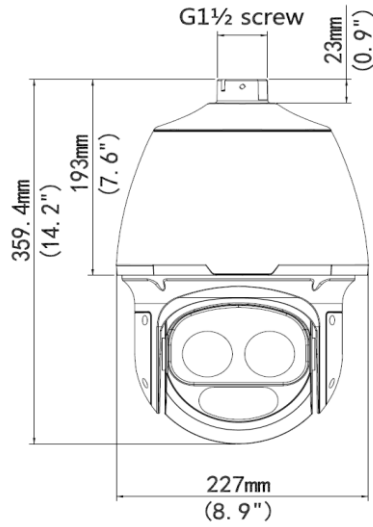
Interface

| | |
|--------------|--|
| Audio I/O | Audio interface |
| | 1 Input: impedance 35 kΩ; amplitude 2 V [p-p] |
| | 1 Output: impedance 600 Ω; amplitude 2 V [p-p] |
| Alarm I/O | 1/ 1 |
| Network | 10M/100M Base-TX adaptive Ethernet network interface |
| Reset Button | Supported |

General

| | |
|---------------------|--|
| Power | 24 V AC±25% (default power supply), 24V DC±25%, PoE (PSE Required) |
| | Power consumption: 8 W ~ 49.5 W |
| Dimensions (Ø x H) | Ø227 mm x 359.4 mm (Ø8.9" x 14.2") |
| Weight | 5.6 kg (12.3 lb) |
| Working Environment | -40°C ~ +70°C (-40°F ~ 158°F), Humidity ≤ 95% RH(non-condensing) |
| Ingress Protection | IP66 |
| IR | Built-in VF laser IR |

Dimensions



Accessories

| Installation mode | Accessories | Description |
|---------------------|---|--|
| Pendant mount | TR-CE45-IN bracket | / |
| | Pendant components: TR-UF45-A-IN ceiling plate TR-SE45-IN pendant rod (200mm) TR-SE45-A-IN pendant rod (500mm) | Ceiling plate is optional with different pendant rod for various applications |
| Standing pole mount | Customized bracket | The interface is designed with internal G1½ screws. The screw depth must be more than 23 mm. |
| Wall mount | TR-WE45-IN bracket, TR-WE45-A-INbracket | TR-JB12-INjunction box can be used withTR-WE45-A-IN |
| Corner mount | TR-WE45-IN bracket +TR-UC08-A/B-IN TR-WE45-A-INbracket +TR-UC08-A/B-IN | |
| Pole mount | TR-WE45-IN bracket +TR-UP08-A/B-IN TR-WE45-A-INbracket + TR-UP08-A/B-IN | |
| PoE Power | Accessories | Description |
| PSE Adapter | PWR-DC5611-P | PSE Adapter (60W) configuration is needed. |

Zhejiang Uniview Technologies Co., Ltd.

South Tower, Building 10, Wanlun Science Park, 88 Jiangling Road, Hangzhou, P.R.China 310051

Email: overseasbusiness@uniview.com; globalsupport@uniview.com

<http://www.uniview.com>

©2016 -2017Zhejiang Uniview Technologies Co., Ltd. All rights reserved.

*Product specifications and availability are subject to change without notice.