

4K Ultra-HD Network IR PTZ Dome Camera

IPC6858SR-X22



Key Features

Optics

- 22X Optical Zoom
- Fifth-generation infrared technology, more than 250m (820ft) IR distance
- IR anti-reflection window to increase the infrared transmittance
- Optical glass window with higher light transmittance
- Smart IR
- EIS (Electronic Image Stabilization)

Compression

- 12 Megapixel image
- H.265, H.264, MJPEG
- Embedded smart algorithm
- Triple streams
- Customized OSD

Network

- Network auto-adaptability
- ONVIF Conformance

Structure

- Innovative snow-removing functionality
- Intelligent temperature control technology
- More effective heat dissipation system
- 6 KV surge protection designed for network interface

Specifications

Camera	IPC6858SR-X22
Sensor	1/1.7" progressive scan, 12megapixel, CMOS
Lens	6.5~ 143 mm (22x optical zoom)
Angle of View (H)	56.7° (wide) ~ 3.07° (tele)
Shutter	Auto/Manual, shutter time: 1/6 s ~ 1/8000 s
Minimum Illumination	Colour: 0.06 lux (F1.5,AGC ON) 0 lux with IR
Iris	Auto/Manual, F1.5 ~ F3.4
Day/Night	IR-cut filter with auto switch (ICR)
S/N	>55 dB
Video	
Video Compression	H.265, H.264, MJPEG
Frame Rate	12MP (4000×3000): Max. 20 fps; 4K (3840×2160): Max. 30 fps
Video Streaming	Triple
HLC	Supported
Evaluative Metering	Supported
OSD	Up to 8 OSDs
Privacy Mask	Up to 8 areas
Digital Zoom	Supported
Smart	
Behavior Detection	Intrusion, crossing line, motion detection
Exception Detection	Audio detection
Intelligent Identification	Face detection
Statistical Analysis	People counting
Audio	
Audio Compression	G.711
Two-way Audio	Supported
Storage	
Edge Storage	Micro SD, up to 128 GB
Network	
Protocols	L2TP, IPv4, IGMP, ICMP, ARP, TCP, UDP, DHCP, PPPoE, RTP, RTSP, RTCP, DNS, DDNS, NTP, FTP, UPnP, HTTP, HTTPS, SMTP, SIP, 802.1x
Compatible Integration	ONVIF, API

Pan & Tilt

Pan Range	360°
Pan Speed	0.1°/s ~ 240°/s
	Preset speed: 300°/s
Tilt Range	-15° ~ +90° (auto reverse)
Tilt Speed	0.1° ~ 160°/s
	Preset speed: 240°/s
Number of Presets	256
Patrol	Preset patrol, route patrol, recorded patrol
Home Position	Supported

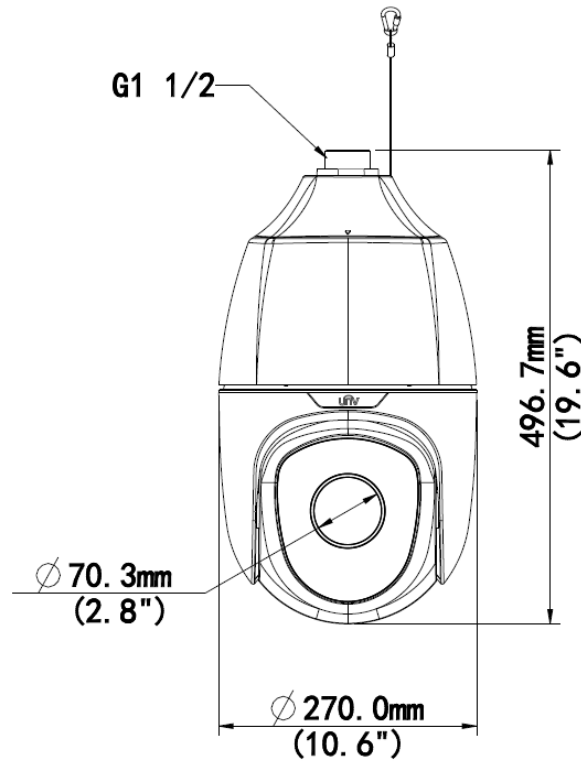
Interface

Audio I/O	Audio cable
	1 Input: impedance 35 kΩ; amplitude 2 V [p-p]
	1 Output: impedance 600 Ω; amplitude 2 V [p-p]
Alarm I/O	2 / 1
Serial Port	1 RS485
Network	1 RJ45 10M/100M Base-TX Ethernet
Video Output	1 BNC, impedance 75 Ω; amplitude 1 V [p-p]

General

Power	24 V AC±25% (Default), 24 V DC±25%
	Power consumption: 16 W ~ 56 W
Dimensions (Ø x H)	Φ270mm×496.7mm(Φ10.6" x 19.6")
Weight	9.69kg(21.4lb)
Working Environment	-45°C ~ +70°C (-49°F ~ 158°F), Humidity ≤ 95% RH(non-condensing)
Ingress Protection	IP66

Dimensions



Accessories

Installation mode	Accessories	Description
Pendant mount	TR-CE45-IN bracket	/
	Pendant components: TR-UF45-A-IN ceiling plate TR-SE45-IN pendant rod (200mm) TR-SE45-A-IN pendant rod (500mm)	Ceiling plate is optional with different pendant rod for various applications
Standing pole mount	Customized bracket	The interface is designed with internal G1½ screws. The screw depth must be more than 23 mm
Wall mount	TR-WE45-IN bracket	/
Corner mount	TR-WE45-IN bracket + TR-UC08-A-IN bracket	/
Pole mount	TR-WE45-IN bracket + TR-UP08-A-IN bracket	/

Zhejiang Uniview Technologies Co., Ltd.

South Tower, Building 10, Wanlun Science Park, 88 Jiangling Road, Hangzhou, P.R.China 310051

Email: overseasbusiness@uniview.com; globalsupport@uniview.com

<http://www.uniview.com>

©2016-2017 Zhejiang Uniview Technologies Co., Ltd. All rights reserved.

*Product specifications and availability are subject to change without notice.