

1080P Zoom Lens IR PTZ Camera

IPC742SR9-PZ30-32G



Key Features

PTZ

- Precision motor with accuracy deviation less than 0.1 degree.
- Pan range 250°, tilt range -50° to 50°
- Pan speed up to 30°/s, tilt speed up to 10°/s

Optics

- Smart IR, up to 100m (328 ft) IR distance
- 2X Optical Zoom & Auto Focus
- IR anti-reflection window to increase the infrared transmittance
- Day/night functionality

Compression

- H.265, H.264, MJPEG
- Embedded smart algorithm
- Triple streams
- Customized OSD

Network

- ONVIF Conformance

Structure

- Support PoE power supply
- Wide temperature range: -35°C to +60°C (-31°F to +140°F)
- Wide voltage range of ±25%

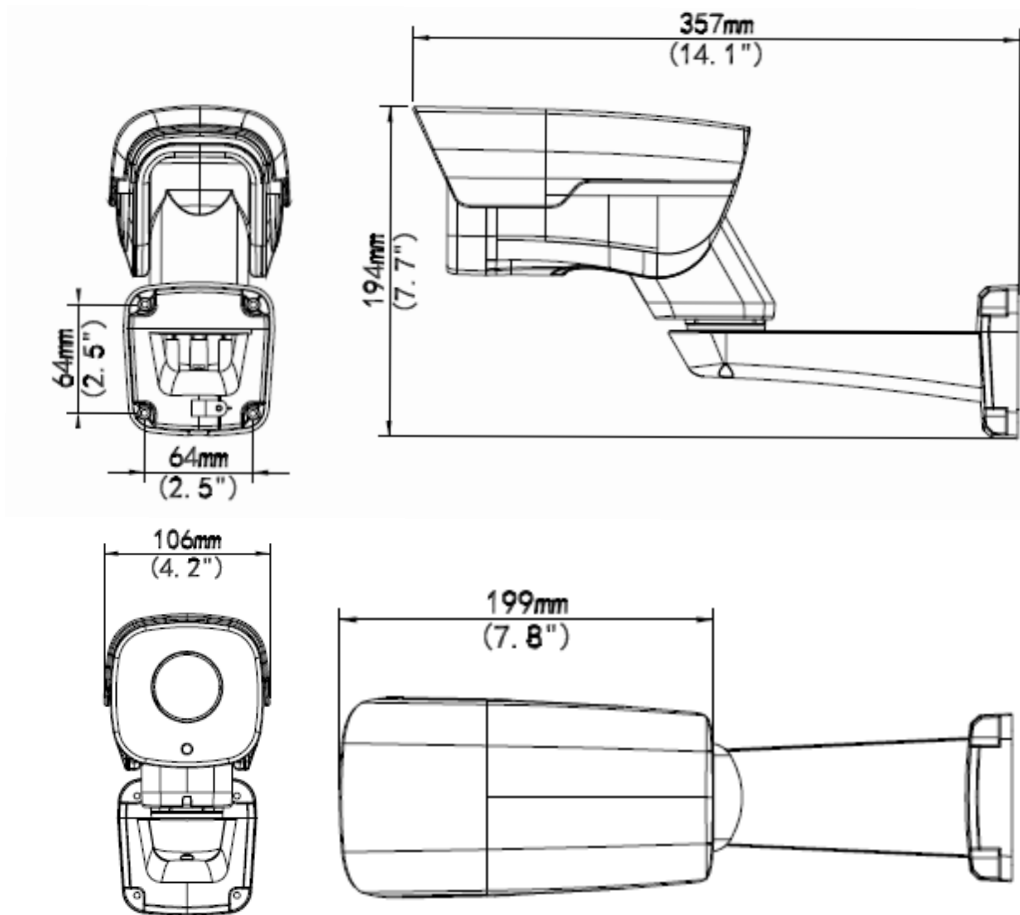
- IP66

Specifications

| | |
|----------------------------|--|
| Camera | IPC742SR9-PZ30-32G |
| Sensor | 1/2.8", 2 megapixel, progressive scan CMOS |
| Lens | 3 ~ 6 mm |
| Iris | Auto/Manual, F1.8 |
| Zoom/Focus | 2X optical zoom, 16X digital zoom |
| Shutter | Auto/Manual, 1/6s ~ 1/100000s |
| Minimum Illumination | Color: 0.02 Lux (F1.8, AGC ON) 0 Lux with IR on |
| IR Range | 100m (328 ft) IR range |
| Day/Night | IR-cut filter with auto switch (ICR) |
| S/N | >52dB |
| WDR | Digital |
| Noise Reduction | 2D/3D |
| Video | |
| Max. Resolution | 1920×1080 |
| Video Compression | H.265, H.264, MJPEG |
| Frame Rate | 1080P (1920×1080): Max. 30 fps, 720P(1280×720): Max. 30 fps; D1 (720×576): Max. 30 fps |
| Video Streaming | Triple streams |
| ROI | Supported |
| HLC | Supported |
| Evaluative Metering | Supported |
| OSD | Up to 8 OSDs |
| Privacy Mask | Up to 4 areas |
| Smart | |
| Behavior Detection | Intrusion, crossing line, motion detection |
| Exception Detection | Audio detection |
| Intelligent Identification | Face detection |
| Statistical Analysis | People counting |
| Audio | |
| Audio Compression | G.711 |
| Two-way Audio | Supported |
| Storage | |
| Edge Storage | Built-in 32 GB eMMC |
| Network | |
| Protocol | L2TP, IPv4, IGMP, ICMP, ARP, TCP, UDP, DHCP, PPPoE, RTP, RTSP, RTCP, DNS, DDNS, NTP, FTP, UPnP, HTTP, HTTPS, SMTP, SIP, 802.1x |
| Compatibility | ONVIF, API |

| Structure | |
|---------------------|---|
| Pan Range | 250° |
| Pan Speed | 0.1°/s ~ 15°/s |
| | Preset speed: 15°/s |
| Tilt Range | -50° ~ 50° |
| Tilt Speed | 0.1°/s ~ 5°/s |
| | Preset speed: 5°/s |
| Number of Presets | 400 |
| Patrol | Up to 16 patrols, up to 32 presets per patrol Note: The total number of patrols and patterns is 16. |
| Interface | |
| Audio I/O | 3.5 mm connector |
| | Input: impedance 35 kΩ; amplitude 2 V [p-p] |
| | Output: impedance 600 Ω; amplitude 2 V [p-p] |
| Alarm I/O | 2 / 1 |
| Network | 10M/100M adaptive Ethernet |
| General | |
| Power | 12 V DC±25%, PoE (IEEE802.3at) |
| | Power consumption: Max. 17.23 W |
| Dimensions | 357 mm × 106 mm × 194 mm (14.1" × 4.2" × 7.7") |
| Weight | 1.16 kg (2.6 lb) |
| Working Environment | -35°C to +60°C (-31°F to 140°F), ≤ 95% RH |
| Ingress Protection | IP66 |

Dimensions



Accessories

| Installation mode | Accessories | Description |
|-------------------|-------------|--|
| Wall mount | \ | Mounting pedestal is included in the Product package |
| Ceiling mount | \ | Mounting pedestal is included in the Product package |

Zhejiang Uniview Technologies Co., Ltd.

South Tower, Building 10, Wanlun Science Park, 88 Jiangling Road, Hangzhou, P.R.China 310051

Email: overseasbusiness@uniview.com; globalsupport@uniview.com

<http://www.uniview.com>

©2016-2017 Zhejiang Uniview Technologies Co., Ltd. All rights reserved.

*Product specifications and availability are subject to change without notice.