

The Wise Choice for Professionals



SNB-5003

1.3MP 720p HD Network Camera

- Max. 1.3M (1280 x 1024) resolution, 720p HD support
- 60fps@720p HD
- P-iris
- Day & Night (Electrical), Enhanced DIS, Defog
- WDR (130dB), SD/SDHC/SDXC memory slot
- Multi-crop streaming

The SNB-5003 from Samsung Techwin's WiseNetIII network range features our most advanced technology with 1.3 megapixel 720p high definition images. Its high end functions include 130dB WDR, low light performance down to 0.05 lux (F1.2, 50IRE, color) creating clear images under low light conditions, and P-iris support which results in images with better contrast, clarity, resolution and depth of field. With enhanced features and new technologies which combat the challenges of tough environmental conditions the SNB-5003 meets the needs of the professional security market.

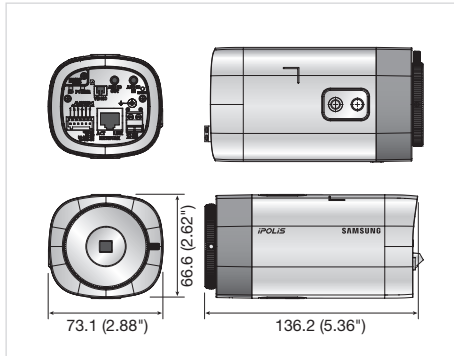


Specifications

| SNB-5003N/P | |
|----------------------------------|--|
| VIDEO | |
| Imaging Device | 1/3" 1.3M PS CMOS |
| Total Pixels | 1,384(H) x 1,076(V) |
| Effective Pixels | 1,329(H) x 1,049(V) |
| Scanning System | Progressive |
| Min. Illumination | Color : 0.05Lux (1/30sec, F1.2, 50IRE), 0.0008Lux (2sec, F1.2, 50IRE) B/W : 0.05Lux (1/30sec, F1.2, 50IRE) |
| S / N Ratio | 50dB |
| Video Output | CVBS : 1.0 Vp-p / 75Ω composite, 704 x 480(N), 704 x 576(P), for installation, DIP connector type |
| LENS | |
| Focus Control | Manual |
| Lens Type | Manual / DC auto iris, P-Iris |
| Mount Type | C / CS |
| OPERATIONAL | |
| Camera Title | Off / On (Displayed up to 40 characters) |
| Day & Night | Auto (Electrical) / Color / B/W / External / Schedule |
| Backlight Compensation | Off / BLC |
| Wide Dynamic Range | 130dB† |
| Contrast Enhancement | SSDR (Samsung Super Dynamic Range) (Off / On) |
| Digital Noise Reduction | SSNRIII (2D+3D noise filter) (Off / On) |
| Digital Image Stabilization | Off / On |
| Defog | Off / Auto / Manual |
| Motion Detection | Off / On (4ea 4points polygonal zones) |
| Privacy Masking | Off / On (32 zones with 4 points of polygonal) |
| Gain Control | Off / Low / Middle / High |
| White Balance | ATW / AWC / Manual / Indoor / Outdoor |
| Electronic Shutter Speed | Minimum / Maximum / Anti flicker (2 ~ 1/12,000sec) |
| Flip / Mirror | Off / On |
| Intelligent Video Analytics | Tampering, Virtual line, Enter/Exit, Appear / Disappear, Audio detection, Face detection |
| Alarm I/O | Input 1ea / Output 1ea |
| Remote Control Interface | RS-485 |
| RS-485 Protocol | Samsung-T/E, Pelco-P/D, Sungjin |
| Alarm Triggers | Motion detection, Tampering, Audio detection, Face detection, Video analytics, Network disconnection |
| Alarm Events | File upload via FTP and E-mail, Notification via E-mail, TCP and HTTP Local storage (SD/SDHC/SDXC) recording at Network disconnected & Event (Alarm triggers), External output |
| NETWORK | |
| Ethernet | RJ-45 (10/100BASE-T) |
| Video Compression Format | H.264 (MPEG-4 part 10/AVC), MJPEG |
| Resolution | 1280 x 1024, 1280 x 720P (HD), 1024 x 768, 800 x 600, 640 x 480, 320 x 240 |
| Max. Framerate | H.264 : Max. 60fps at all resolutions MJPEG : 1280 x 1024, 1280 x 720, 1024 x 768 : Max. 15fps 800 x 600, 640 x 480, 320 x 240 : Max. 30fps |
| Video Quality Adjustment | H.264 : Compression level, Target bitrate level control, MJPEG : Quality level control |
| Bitrate Control Method | H.264 : CBR or VBR, MJPEG : VBR |
| Streaming Capability | Multiple streaming (Up to 10 profiles) |
| Audio In | Selectable (Mic in / Line in), Max output level : 1 Vrms Supply voltage : 2.5V DC (4mA), Input impedance : approx. 2K Ohm |
| Audio Out | Line out (3.5mm stereo mini jack) |
| Audio Compression Format | G.711 u-law / G.726 selectable, G.726 (ADPCM) 8KHz, G.711 8KHz G.726 : 16Kbps, 24Kbps, 32Kbps, 40Kbps |
| Audio Communication | Bi-directional audio |
| IP | IPv4, IPv6 |
| Protocol | TCP/IP, UDP/IP, RTP(UDP), RTP(TCP), RTCP, RTSP, NTP, HTTP, HTTPS, SSL, DHCP, PPPoE, FTP, SMTP, ICMP, IGMP, SNMPv1/v2c/v3(MIB-2), ARP, DNS, DDNS, QoS, PIM-SM, UPnP, Bonjour |
| Security | HTTPS(SSL) login authentication, Digest login authentication IP address filtering, User access log, 802.1x authentication |
| Streaming Method | Unicast / Multicast |
| Max. User Access | 15 users at unicast mode |
| Memory Slot | Micro SD/SDHC/SDXC Motion images recorded in the SDXC/SDHC/SD memory card can be downloaded |
| Application Programming Interfac | ONVIF profile S, SUNAPI 2.0, S/NP 1.2 |
| Webpage Language | English, French, German, Spanish, Italian, Chinese, Korean, Russian, Japanese, Swedish, Danish, Portuguese, Turkish, Polish, Czech, Rumanian, Serbian, Dutch, Croatian, Hungarian, Greek, Norwegian |
| Web Viewer | Supported OS : Windows XP / VISTA / 7 / 8, MAC OS X 10.7 Supported Browser : Microsoft Internet Explorer (Ver. 10, 9, 8, 7), Mozilla Firefox (Ver. 19, 18, 17, 16, 15, 14, 13, 12, 11, 10, 9), Google Chrome (Ver. 25, 24, 23, 22, 21, 20, 19, 18, 17, 16, 15), Apple Safari (Ver. 6.0.2(Mac OS X 10.8, 10.7 only), 5.1.7) * Mac OS X only |
| Central Management Software | SmartViewer 4.0 |
| ENVIRONMENTAL | |
| Operating Temperature / Humidity | -10°C ~ +55°C (+14°F ~ +131°F) / Less than 90% RH |
| Storage Temperature / Humidity | -30°C ~ +60°C (-22°F ~ +140°F) / Less than 90% RH |
| ELECTRICAL | |
| Input Voltage / Current | 24V AC, 12V DC, PoE (IEEE802.3af class3) |
| Power Consumption | Max. 12.5W (24V AC, 50 ~ 60Hz), Max. 10.5W (12V DC), Max. 12W (PoE, Class3) |
| MECHANICAL | |
| Color / Material | Black, Ivory / Aluminium, Plastic |
| Dimensions (WxH) | 73.1 x 66.6 x 136.2mm (2.88" x 2.62" x 5.36") |
| Weight | 330g (0.73 lb) |

Dimensions

Unit : mm (inch)



Accessory (Optional)



The Eco mark represents Samsung Techwin's will to create environment-friendly products, and indicates that the product satisfies the EU RoHS Directive.

* Data recorded on an SD memory card may be lost or damaged by data access during power-off, mechanical shock, memory card detachment, or other operations. Data loss or damage can also occur when a memory card reaches end of life, which varies according to operational conditions. No guarantee is given against damage (including passive damage).

Design and specifications are subject to change without notice.

■ DISTRIBUTED BY

SAMSUNG TECHWIN CO., LTD. 701, Sampyeong-dong, Bundang-gu, Seongnam-si, Gyeonggi-do Korea 463-400
Tel : +82-70-7147-8741~8749, 8752~8760 Fax : +82-31-8018-3745 www.samsungsecurity.com www.samsungcctv.com

SAMSUNG TECHWIN AMERICA INC.
100 Challenger Rd, Suite 700 Ridgely Park, NJ 07660
Toll Free : +1-877-213-1222 Direct : +1-201-325-6920
Fax : +1-201-373-0124

SAMSUNG TECHWIN EUROPE LTD.
2nd floor No5, The Height, Brookland, Weybridge, Surrey, U.K.
KT13 0NY
Tel : +44-1932-82-6700 Fax : +44 1932 82 6701

SHANGHAI SAMSUNG TECHWIN CO., LTD.
32F, Bk B, International Business Center,
No. 391 Guiping Rd., Shanghai, China, 200233
Tel : +86-21-5427-1155 Fax : +86-21-5423-5122



SAMSUNG TECHWIN