

Value line 3 Megapixel Network Camera



3 Megapixel Full HD Network Camera

SNB-7001

This cost effective 3MP High Definition network camera is a great fit for applications which require high resolution video. The SNB-7001 features contrast enhancement and day/night capabilities for challenging lighting conditions, and is equipped with high-end functionalities such as Tampering Detection and Motion Detection.

- Maximum 3 MP resolution (2048 X 1536)
- Multiple Streaming
- H.264 & MJPEG dual codec
- Tampering Alarm, Motion Detection
- Privacy Masking, Smart codec(ROI encoding)
- Day & Night (Software)

3 Megapixel Full HD Network Camera

SNB-7001

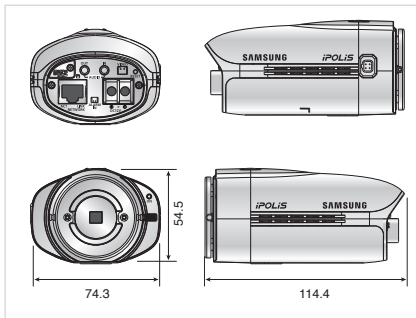


Specifications

| | SNB-7001N/P |
|----------------------------------|---|
| VIDEO | |
| Imaging Device | 1/2.8" 3M PS CMOS |
| Total Pixels | 2,144(H) X 1,588(V) |
| Effective Pixels | 2,096(H) X 1,561(V) |
| Scanning System | Progressive |
| Min. Illumination | Color/ B/W : 0.4 Lux (F1.2, 50IRE) |
| Video Out | CVBS : 1.0 Vp-p / 75Ω composite, 704x480(N), 704x576(P), for installation |
| HORIZONTAL RESOLUTION | |
| Lens Type | Manual / DC Auto Iris |
| Mount Type | C/CS |
| OPERATIONAL | |
| Camera Title | Off / On (Displayed up to 15 characters) |
| Day & Night | (SW) Auto / Color / B/W |
| Backlight Compensation | Off / BLC |
| Digital Noise Reduction | SSNR (Off / On) |
| Motion Detection | Off / On (4 programmable zones, 2Mega 20fps, 3Mega 15fps) |
| Privacy Masking | Off / On (12 rectangular zones) |
| Sens-up (Frame Integration) | Off / Auto (2x ~ 60x) |
| Gain Control | Off / Low / Middle / High |
| White Balance | ATW / AWC / Manual / Indoor / Outdoor |
| Electronic Shutter Speed | Auto / A.FLK / Manual (1/30 ~ 12,000sec) |
| Flip / Mirror | Off / On |
| Intelligent Video Analytics | Tampering (3M 15fps, 2M 20fps, 3M 15fps) |
| Alarm I/O | Input 1ea |
| NETWORK | |
| Ethernet | RJ-45 (10/100BASE-T) |
| Video Compression Format | H.264, MJPEG |
| Resolution | <3M Mode> 2048x1536, 1920x1080P(Full HD), 1600x1200, 1280x1024, 1280x960, 1280x720P(HD), 1024x768 800x600, 800x450, 640x480, 640x360, 320x240, 320x180 |
| | <2M Mode> 1920x1080P(Full HD), 1280x1024, 1280x960, 1280x720P(HD), 1024x768, 800x600, 800x450, 640x480 640x360, 320x240, 320x180 |
| Max. Framerate | <3M Mode> H.264 : Max 20fps at all resolutions MJPEG : 800x600 ~ 320x180 - 20 fps / 1280x1024 ~ 1920x1080 - 15 fps / 2048x1536 - 10 fps |
| | <2M Mode> H.264 : Max 30fps at all resolutions (When WDR ON, Max. framerate is Max 15fps.) MJPEG : 800x600 ~ 320x180 - 30 fps / 1280x1024 ~ 1920x1080 : 15 fps |
| Smart Codec | Yes (Area Based Method) |
| Video Quality Adjustment | H.264 : Compression Level, Target Bitrate Level Control / MJPEG : Quality Level Control |
| Bitrate Control Method | H.264 : CBR or VBR / MJPEG : VBR |
| Streaming Capability | Multiple Streaming (Up to 5 Profiles) |
| IP | IPv4, IPv6 |
| Protocol | TCP/IP, UDP/IP, RTP(UDP), RTP(TCP), RTSP, NT, HTTP, HTTPS, SSL, DHCP, PPPoE, FTP, SMTP, ICMP IGMP, SNMPv1/v2c/v3(MIB-2), ARP, DNS, DDNS, ONVIF |
| QoS | On/Off |
| Security | HTTPS(SSL) Login Authentication / Digest Login Authentication / IP Address Filtering User access Log / 802.1X Authentication |
| Streaming Method | Unicast / Multicast |
| Max. User Access | 10 users at Unicast Mode |
| ONVIF Conformance | Yes |
| WEBPAGE LANGUAGE | English, French, German, Spanish, Italian, Chinese, Korean, Russian, Japanese, Swedish, Danish, Portuguese, Turkish, Polish, Czech, Rumanian, Serbian, Dutch, Croatian, Hungarian, Greek, Norwegian, Finnish |
| Web Viewer | Supported OS : Windows XP / VISTA / 7, MAC OS 10.7 or higher Supported Browser : Internet Explorer 7.0 or Higher, Firefox 9 or higher, Google Chrome 15 or higher, Apple Safari 5.1 or higher |
| Central Management Software | NET-I viewer |
| ENVIRONMENTAL | |
| Operating Temperature / Humidity | -10°C ~ +55°C (+14°F ~ +131°F) / Less than 90% RH |
| Storage Temperature / Humidity | -30°C ~ +60°C / Less than 90%RH |
| ELECTRICAL | |
| Input Voltage | 12V DC, PoE(IEEE802.3af) |
| Power Consumption | Max 3.7W (DC 12V), Max 4.3W (PoE) |
| MECHANICAL | |
| Color / Material | Black, Silver / Aluminium, Plastic |
| Dimension (WxHxD) | 74.3 x 55.3 x 114.3mm (2.93" x 2.18" x 4.50") |
| Weight | 170g (0.37 lb) |

Dimensions

Unit : mm (inch)



Available Lenses/ Accessories(Optional)



Design and specifications are subject to change without notice.

