

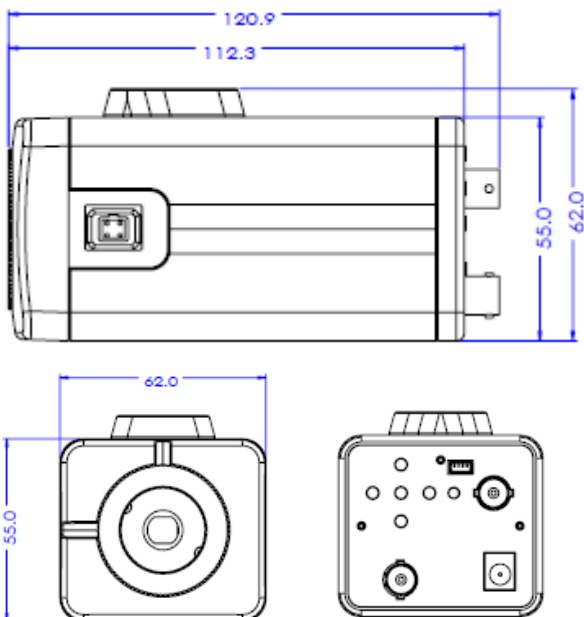
2.0M HD-SDI FIXED BOX CAMERA

RMD-0012N

RMD-0012P



● DIMENSIONS



Key Features

HD-SDI

SDI is the transmitting technology through the 75 Ω coaxial cable by serializing the video signal that is not compressed. The video signal that is transmitting through SDI is a kind of digital signal.

Therefore, contrary to the analog signal which is influenced by the deformation of video signal and the distance of transmit, it is possible to transmit the video signal without limitation of distance and deformation of signal through Equalization and Reclocking of the video signal at intervals.

Day & Night by ICR

For increased sensitivity of image sensor efficiently, a mechanical actuator can shift infrared (IR) Cut filter to disengage from image path automatically in the low light environment.

Supper Digital Noise Reduction

In the low light environment, DNR function dramatically improves picture quality by removing various noises such as fixed pattern noise and thermal random noise.

Wide Dynamic Range

This feature is effective when shooting images against the sun, or when shooting a very bright object.

Menu Driven Camera Feature Setup

Some model support OSD menu for setup Camera functions such as IRIS, Exposure, and etc.

Specification

CAMERA	
Image Device	1/2.8" 2.0M Progressive Scan CMOS sensor
Total Pixels	2000 (H) x 1241 (V)
Aspect Ratio	HD: 16:9 SD: 4:3
MIN. Illuminance	COLOR : 0.5Lux @ F1.2, 30IRE B/W : 0.01Lux @ F1.2, 30IRE
S/N Ratio	50dB or More
Day & Night	Auto / Day/ Night(ICR)
Shutter Speed	1/30~1/60,000 sec
AGC	Normal, High
White Balance	AUTO/PRESET/MANUAL
WDR/ BLC	OFF/WDR/BLC
DNR	OFF/MID/HIGH
DSS	OFF, x2, x3, x4
Image setting	Brightness, Sharpness
Other Functions	Image Flip, Mirror

GENERAL	
Sensor In/Out	Built-in 1 Input/ 1 Output
Video Out	1080/30p, 1080/25p, 720/60p, 720/50p
Power	DC 12V 5W
Approvals	FCC, CE, ROHS
Dimension	Net (WxLxH): 125 x 75 x 60 mm
Weight	Net: 450g, Package: 600g
Operating Temp.	-10~50°C