

## 3 Megapixel Compact Cube Network Camera

### CB-300A Series

HDTV 1080p/720p • WiFi/3G/4G Wireless Connection • PoE



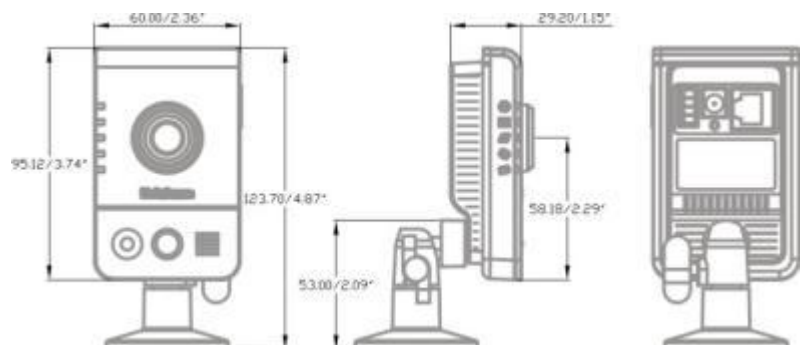
- Most Intelligent, Compact and Affordable 3M Camera
- HDTV Quality (Full HD 1080p @ 30fps Streaming)
- Unique Design for Low Lux Application (1/2.5" Sensor)
- Intelligent Multi-Profile Sensor Management for Different Environment
- Support 802.11a/b/g/n Dual Band Wireless Connectivity
- WPS Supported for Easy Wireless Network Setup
- Support 3G/ 4G (WiMAX/LTE) Wireless Connectivity
- Interchangeable CS Mount Lens
- Edge Recording/ Micro SD slot
- PoE/ Two-way Audio/ PIR/ Illumination LED/ DIDO/ Privacy button



### Photo Indication & Dimension Diagram



- |                               |                          |
|-------------------------------|--------------------------|
| ① Adjustable focal Lens (*)   | ⑪ WPS button (*)         |
| ② Built-in Microphone         | ⑫ Privacy button         |
| ③ PIR                         | ⑬ Power LED              |
| ④ Illumination LED            | ⑭ Status LED             |
| ⑤ Speaker                     | ⑮ Internet LED           |
| ⑥ Power Connector             | ⑯ WPS LED (*)            |
| ⑦ Ethernet RJ45 Socket        | ⑰ Privacy LED            |
| ⑧ Reset Button                | ⑱ USB Port for 3G/4G (*) |
| ⑨ DIDO Terminal I/O Connector |                          |
| ⑩ Micro SD/SDHC slot          |                          |
- \* These are optional features \**



## Camera

|                             |   |
|-----------------------------|---|
| <b>Models</b>               | <b>CB-300Ap</b> Board Lens, USB for 3G, PoE<br><b>WCB-300Ap</b> Board Lens, WiFi<br><b>CB-302Ap</b> CS Mount Lens, USB for 3G, PoE<br><b>WCB-302Ap</b> CS Mount Lens, WiFi  |
| <b>Hardware System</b>      | CPU: 533 MHz<br>Flash: 32M<br>RAM: 256M DDR   |
| <b>Image Sensor</b>         | Sensor Type : 1/2.5" CMOS Sensor<br>Sensor Resolution : 2048x1536 pixel   |
| <b>Minimum Illumination</b> | <b>CB-300Ap/ WCB-300Ap</b><br>1 lux (F2.8, B/W) / 2 lux (F2.8, Color)<br><b>CB-302Ap/ WCB-302Ap</b><br>1 lux (F1.5, B/W) / 2 lux (F1.5, Color)  |
| <b>Lens</b>                 | <b>CB-300Ap/ WCB-300Ap</b><br>Lens Type: Board Lens<br>Focal Length: f= 6.34 mm<br>Iris: F2.8<br>View Angle: (H): 40°/ (V): 30°/ (D): 50°<br><br><b>CB-302Ap/ WCB-302Ap</b><br>Lens Type: CS Mount Lens<br>Focal Length: f= 4.05 mm<br>Iris: F1.5<br>View Angle: (H): 63°/ (V): 48°/ (D): 78° |

## Audio

|                            |                               |
|----------------------------|-------------------------------|
| <b>Audio Streaming</b>     | 2-way Audio Support           |
| <b>Audio Compression</b>   | G.711, AMR (8 kHz, Mono, PCM) |
| <b>Audio Input/ Output</b> | Built-in MIC & Speaker        |

## Video

|                                |   |
|--------------------------------|---|
| <b>Video Image Compression</b> | H.264 / MPEG4 / MJPEG   |
| <b>Video Setting</b>           | Audio Exposure Control:<br>Sport/ Normal/ Night Vision/ User Defined<br>Manual Exposure Control: 1/20000~1/5s<br>Manual Gain Control: 1X ~ 32X<br>Manual White Balance Control: 2000K~7000K |
| <b>S/N Ratio</b>               | 38.1 dB   |
| <b>Image Resolution</b>        | <b>3M</b> : 2048x1536 @ 18fps<br><b>2M (Full HD)</b> : 1920x1080 @ 30fps<br><b>1M (HDTV)</b> : 1280x720 @ 30fps   |

## General

|                               |  |
|-------------------------------|--|
| <b>Communication</b>          | Ethernet : one 10/100Mbps RJ-45<br>Supported Protocols : TCP/IP, UDP, ICMP, DHCP, NTP, DNS, DDNS, SMTP, FTP, HTTP, Samba, PPPoE, UPnP, RTP, RTSP, RTCP, IPv6 |
| <b>Power Input</b>            | DC12V/ 1A(Power Supply)  |
| <b>Max. Power Consumption</b> | <b>CB-300Ap/CB-302Ap</b> : 4.2 watts<br><b>WCB-300Ap/WCB-302Ap</b> : 4.6 watts   |
| <b>Environment</b>            | Operating Temperature<br>0°C ~ 50°C (32°F ~122°F),<br>Operating Humidity :<br>10% ~ 80%  |
| <b>Dimension</b>              | 34.8 (L) X60 (W) X 95 (H) mm   |
| <b>Weight</b>                 | <b>CB-300Ap</b> : 99g<br><b>WCB-300Ap</b> : 106g<br><b>CB-302Ap</b> : 122g<br><b>WCB-302Ap</b> : 129g  |
| <b>Certification</b>          | FCC, CE  |
| <b>Warranty</b>               | Limited 2-year warranty  |

| CB-300A Series                      | CB-300Ap | WCB-300Ap | CB-302Ap | WCB-302Ap |
|-------------------------------------|----------|-----------|----------|-----------|
| Interchangeable CS-Mount Lens       |          |           | ✓        | ✓         |
| Wireless (11a/b/g/n dual band WiFi) |          | ✓         |          | ✓         |
| Wired (802.3af PoE)                 | ✓        |           | ✓        |           |
| USB port for 3G/ 4G(WiMAX/LTE)      | ✓        |           | ✓        |           |
| DIDO I/O Port                       | ✓        | ✓         | ✓        | ✓         |

## Work Best With

### Camera Accessories Options



**M13VM288IR**  
2.2x Vari-focal Lens with Manual Iris



**CI-803A/CI-803C**  
Camera Bracket



**GL-222**  
Camera Bracket

### Network Equipment Options



**DWRT-600N**  
Dual Band Wireless Router



**PS-588I**  
8-port 10/100M PoE Fast Ethernet Switch



**BP-1000**  
UPS power pack (Edge Recording)