

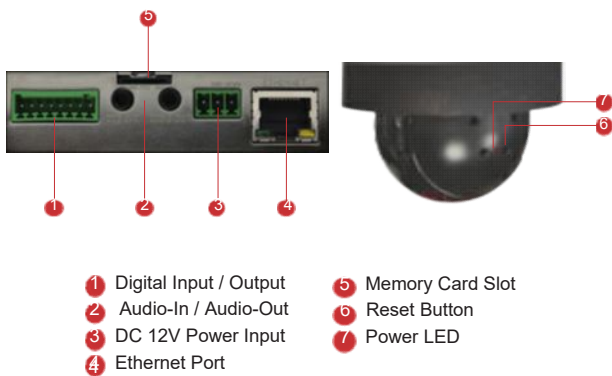
# I912

## 4MP Indoor PTZ with D/N, Advanced WDR, SLLS, 33x Zoom Lens



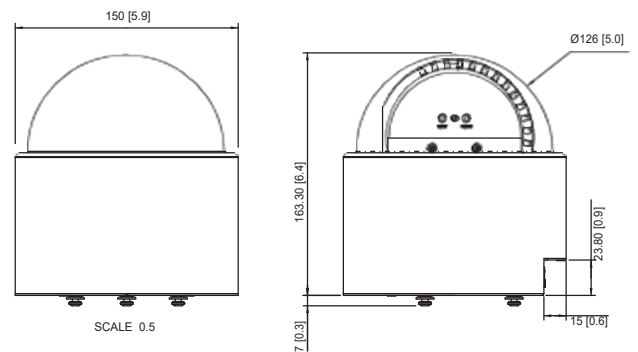
- 4 Megapixel with 1080p
- Day & Night with Superior Low Light Sensitivity
- 33x Zoom Lens with f4.5 - 148.5mm / F1.6 - 5.0, DC Iris, Auto Focus
- Advanced WDR (75 dB)
- 30 fps at 1920 x 1080
- Pan & Tilt
- Vandal Resistant (IK09)

### PHOTO INDICATION



- 1 Digital Input / Output
- 2 Audio-In / Audio-Out
- 3 DC 12V Power Input
- 4 Ethernet Port
- 5 Memory Card Slot
- 6 Reset Button
- 7 Power LED
- 8

### DIMENSION DIAGRAM



Unit: mm [inch]

### ACCESSORY OPTIONS

Dome Cover		
PDCX-1105		Indoor PTZ Smoked Dome Cover Vandal Resistant (IK09)
High PoE Injector		
PPOE-0101		High PoE Injector with universal connector

Popular Mounting Solutions		
Surface	Bundled surface mount	
Wall	PMAX-0311	
Pendant	PMAX-0110 PMAX-0103	
Flush	PMAX-1010	

\* For more mounting solutions, please refer to Project Planner on [www.acti.com](http://www.acti.com)

## PRODUCT SPECIFICATION

## I912

## • Device

Product Type	Indoor PTZ Camera
Image Sensor	Progressive Scan CMOS
Sensor Size	1/3"
Effective Pixels	2688 (H) x 1520 (V) (4.09 MP)
Horizontal Resolution	1850 TVL
Day / Night	Yes
Low Light Sensitivity	Superior
Minimum Illumination	Color: 0.1 lux at F1.6 (30 IRE, 2400°K); B/W: 0.05 lux at F1.6 (30 IRE, 2400°K)
Color to B/W Switch	ISP based switch, configurable
Mechanical IR Cut Filter	Yes
IR Sensitivity Range	700 -1100nm
IR LED	No
Electronic Shutter	Manual mode: 1/13 ~ 1/2,000 sec (50Hz); 1/15 ~ 1/2,000 sec (60Hz) Auto mode: 1/13 ~ 1/10,000 sec (50Hz); 1/15 ~ 1/10,000 sec (60Hz)
S/N Ratio	56 dB

## • Lens

Focal Length	Zoom, f4.5 - 148.5mm / F1.6 - 5.0
Zoom Ratio	33x optical
Zoom Speed	3.1 sec (wide to tele)
Iris	DC iris
Focus	Auto focus
Horizontal Viewing Angle	58.78° - 2.35°

## • PTZ

Manual Panning / Tilting Speed	3.2° ~ 8°/s
Preset Panning / Tilting Speed	1.6° ~ 480°/s
Panning Range	0° - 360° (with Auto-tilt)
Tilting Range	0° - 180°
Control	Remote manual control; 256 preset points; 10 preset tours; Auto scan
Preset Panning / Tilting Accuracy	0.265°
Absolute Position	Yes
Protocol	ACTi URL command, Sony VISCA, Pelco D, Pelco P

## • Video

Compression	H.264 (Baseline / Main / High profile), MJPEG
Max. Frame Rate vs. Resolution	15 fps at 2688 x 1520; 15 fps at 2560 x 1440; 30 fps at 1920 x 1080; 30 fps at 1280 x 720; 30 fps at 800 x 600; 30 fps at 640x480; 15 fps at 320 x 240
Multi-Streaming	Simultaneous dual streams based on two configurations
Bit Rate	28 Kbps - 6 Mbps (per stream)
Bit Rate Mode	Constant, Variable
Image Enhancement	Advanced WDR (75 dB); White balance: automatic, hold and manual; Brightness; Contrast; Sharpness; Automatic gain control; 2D+3D digital noise reduction; Flickerless; Defogging; Digital image stabilizer
Privacy Mask	32 configurable regions
Text Overlay	User defined text on video
Image Orientation	Image flip and mirror

## • Audio

Compression	8 kHz, Mono, PCM, 16 bit encoding; G.711
Audio-In	3.5mm phone jack
Audio-Out	3.5mm phone jack

## • Network

Protocol & Service	TCP,UDP,HTTP,HTTPS,DHCP,PPPoE,RTSP,IPV4,IPV6,DNS,DDNS,NTP,ICMP,ARP,IGMP,SMTP,FTP,UPnP,SNMP,Bonjour,Sony,VISCA,PelcoD,PelcoP
Ethernet Port	1, Ethernet (10/100Base-T), RJ-45 connector
Security	IP address filtering; HTTPS encryption; Password protected user levels; Anonymous login; IEEE 802.1X network access control

## • Alarm

Alarm Trigger	Video motion detection (3 regions); External device through digital input; Sound detection
Alarm Response	Notify control center; Go to PTZ preset point or preset tour; Change camera settings; Command other devices; E-mail notification with snapshots; Save video or snapshot to local storage; Upload video or snapshot to FTP server; Activate external device through digital output

## • Interface

Digital Input	2, Terminal block
Digital Output	2, Terminal block
Local Storage	MicroSDHC/MicroSDXC memory card slot (card not included)

## • General

Power Source / Consumption	High PoE (IEEE802.3at) / 12.6 W; DC 12V / 10.8 W
Weight	1.57 kg (3.47 lb)
Dimensions (Φ x H)	150mm x 163.3 mm (5.9" x 6.4")
Bundled Accessories	Surface mount, Power adapter
Environmental Casing	Vandal resistant (IK09); Transparent dome cover
Mount Type	Surface, Flush, Pendant, Wall, Corner, Pole
Starting Temperature	-10°C ~ 50°C (14°F ~ 122°F)
Operating Temperature	-20°C ~ 50°C (-4°F ~ 122°F)
Operating Humidity	10% ~ 85% RH
Approvals	Camera: CE (EN 55022 Class B, EN 55024), FCC (Part15 Subpart B Class B), IK09 Adapter: CE, FCC, UL, PSE, Efficiency Level V

## • Integration

Unified Solution	Fully compatible with ACTi software
ISV Integration	Software Development Kit (SDK) available; ONVIF Compliant
GPS Position	Manual setting
Firmware Access Browser	Microsoft Internet Explorer 8.0 or newer (full functionality); Safari with QuickTime installed, and other browsers with VLC installed (partial functionality)

\* All specifications are subject to change without notice.

\* All brand names and registered trademarks are the property of their respective owners.

www.acti.com

