

AXIS 210/211 Network Cameras

Superior video quality for professional indoor and outdoor applications.



- > Superior image quality
- > Simultaneous MPEG-4 and Motion JPEG
- > Video motion detection
- > Power over Ethernet (AXIS 211)

AXIS 210 and AXIS 211 Network Cameras offer a cost-effective, IP-based solution for professional security surveillance and remote monitoring, which make them an ideal choice for securing offices, shops and other indoor and outdoor facilities.

AXIS 210 and AXIS 211 deliver superior image quality using progressive scan, in up to 30 frames per second in 640x480 VGA resolution.

Simultaneous MPEG-4 and Motion JPEG video streams can be provided, allowing for optimization in image quality and bandwidth.

AXIS 210 and AXIS 211 support video motion detection and advanced event management, including pre/post-alarm image buffering.

AXIS 211 supports Power over Ethernet, allowing power to be delivered via the network, which eliminates the need for power cables and reduces installation costs.

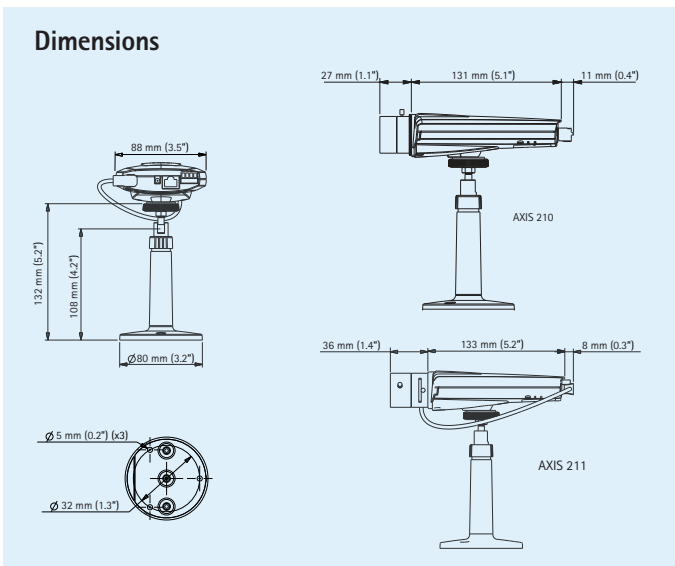


Technical specifications – AXIS 210/211 Network Cameras

Camera	
Models	AXIS 210: indoor use only AXIS 211: Power over Ethernet, DC-iris, indoor/outdoor
Image sensor	1/4" Progressive scan RGB CCD
Lens	AXIS 210: 4.0 mm, F1.2, fixed iris, CS mount, horizontal angle of view: 48° AXIS 211: 3.0 – 8.0 mm, F1.0, DC-iris, CS mount, horizontal angle of view 27° – 67°
Minimum illumination	AXIS 210: 1.0 lux, F1.2 AXIS 211: 0.75 lux, F1.0
Shutter time	1/12500 s to 2 s
Video	
Video compression	MPEG-4 Part 2 (ISO/IEC 14496-2) Motion JPEG
Resolutions	160x120 to 640x480
Frame rate MPEG-4	Up to 30 fps
Frame rate Motion JPEG	Up to 30 fps
Video streaming	Simultaneous MPEG-4 and Motion JPEG Controllable frame rate and bandwidth VBR/CBR MPEG-4
Image settings	Compression, color, brightness, contrast, white balance, exposure control, rotation, fine tuning of behavior at low light Text and image overlay Privacy mask
Network	
Security	Password protection, IP address filtering
Supported protocols	IPv4/v6, HTTP, QoS Layer 3 DiffServ, FTP, SMTP, Bonjour, UPnP, DNS, DynDNS, RTSP, RTP, TCP, UDP, IGMP, RTCP, ICMP, DHCP, ARP, SOCKS

System integration	
Application Programming Interface	Open API for software integration, including VAPIX® from Axis Communications available at www.axis.com
Intelligent video	Video motion detection
Alarm triggers	Intelligent video and external input
Alarm events	File upload via FTP, HTTP and email Notification via email, HTTP and TCP External output activation
Video buffer	1.2 MB pre- and post alarm
General	
Processors and memory	ETRAX 100LX, ARTPEC-2 16 MB RAM, 4 MB Flash
Power	7 – 20 V DC max. 7W AXIS 211: Power over Ethernet IEEE 802.3af Class 2
Connectors	RJ-45 10BASE-T/100BASE-TX Terminal block for 1 alarm input, 1 output and alternative power connection
Operating conditions	5 – 45 °C (41 – 113 °F) Humidity 20 – 80% RH (non-condensing)
Approvals	EN 55022 Class B, EN 55024, EN 61000-3-2, EN 61000-3-3, FCC Part 15 Subpart B Class B, VCCI Class B, ICES-003 Class B, C-tick AS/NZS 3548, EN 60950-1 Power supply: EN 60950-1, UL, cUL
Weight	250 g (0.55 lb.)
Included accessories	Power supply, connector kit, stand, Installation Guide, CD with installation tool, recording software and User's Manual, Windows decoder 1-user license

More information is available at www.axis.com



Optional accessories

Various housings

Lenses

For information on AXIS Camera Station and video management software from Axis' Application Development Partners, see www.axis.com/products/video/software/