

DH-HAC-HDW1200L

2MP HDCVI IR Eyeball Camera

HDCVI



- Max 30fps@1080P
- HD and SD output switchable
- 2.1mm fixed lens
- Built-in Mic
- Max. IR length 3m, Smart IR
- DC12V



System Overview

Experience 1080P full HD video and the simplicity of using existing cabling infrastructure with HDCVI. The Lite series 1080P HDCVI camera features a compact design and offers a high quality image at a friendly price. It offers various vari-focal/fix lens models with a multi-language OSD and HD/SD switchable output. Its structural flexibility and high cost-performance makes the camera an ideal choice for SMB solutions.

Functions

Elaborate Design

The mobile camera is designed with micro-sized compact case, which minimizes the interference against on-going activities. Taking aesthetics requirements into consideration, the body and front face of the camera is all-black. On the other hand this camera can utilise 3M double-sided tape for easy and quick mounting instead of traditional screw installation.

Audio

The camera is designed with built-mic for realizing audio collection and transmission over the aviation connector cable. Dahua's HDCVI audio compression technology to ensure the synchronization of audio and video. Provides A/V evidence to avoid various incidents caused by oral dispute.

4 Signals over 1 Coaxial Cable

HDCVI technology supports 4 signals to be transmitted over 1 coaxial cable simultaneously, i.e. video, audio*, data and power. Dual-way data transmission allows the HDCVI camera to interact with the HCVR, such as sending control signal or triggering alarm. Moreover, HDCVI technology supports PoC for construction flexibility.

* Audio input is available for some models of HDCVI cameras.

Long Distance Transmission

HDCVI technology guarantees real-time transmission at long distance without any loss. It supports up to 800m(1080P)/1200m(720P) transmission via coaxial cable, and up to 300m(1080P)/450m(720P) via UTP cable.*

*Actual results verified by real-scene testing in Dahua's test laboratory.

Simplicity

HDCVI inherits the born feature of simplicity from traditional analog surveillance system, making itself a best choice for investment protection. HDCVI system can seamlessly upgrade the traditional analog system without replacing existing coaxial cabling. The plug and play approach enables full HD video surveillance without the hassle of configuring a network.

Smart IR

The camera is designed with microcrystalline LED IR illumination for best lowlight performance. Smart IR is a technology to ensure brightness uniformity in B/W image under low illumination. Dahua's unique Smart IR adjusts to the intensity of camera's infrared LEDs to compensate for the distance of an object, and prevents IR LEDs from overexposing images as the object come closer to the camera.

Multi-formats

The camera supports multiple video formats including HDCVI, CVBS and other two common HD analog formats in the market. The four formats can be switched over through OSD menu or by PFM820(UTC controller). This feature makes the camera to be compatible with not only HCVRs but also most end users' existing HD/SD DVRs.

Multi-language OSD

OSD menu provides multiple image adjustments and function settings to meet the requirements of different monitoring scenes. The OSD menu includes configurations such as backlight mode, day/night, white balance, privacy mask and motion detect. The camera supports 11 languages for OSD menu, namely, Chinese, English, French, German, Spanish, Portuguese, Italian, Japanese, Korean, Russian and Polish.

Protection

With working temperature range of -40 °C to +60 °C (-40 °F to +140 °F), the camera is designed for extreme temperature environments.

Supporting ±25% input voltage tolerance, this camera suits even the most unstable power supply conditions. Its 4KV lightning rating provides protection against the camera and its structure from the effects of lightning.

Technical Specification

Camera

Image Sensor	1/2.7" CMOS
Effective Pixels	1920(H)×1080(V), 2MP
Scanning System	Progressive
Electronic Shutter Speed	PAL: 1/25~1/100000s NTSC: 1/30~1/100000s
Minimum Illumination	0.02Lux/F2.0, 30IRE, 0Lux IR on
S/N Ratio	More than 65dB
IR Distance	Up to 3m (9feet)
IR On/Off Control	Auto / Manual
IR LEDs	1

Lens

Lens Type	Fixed lens / Fixed iris
Mount Type	Board-in
Focal Length	2.1mm
Max Aperture	F2.0
Angle of View	H: 139°
Focus Control	N/A
Close Focus Distance	500mm(19.68")

DORI Distance

Note: The DORI distance is a "general proximity" of distance which makes it easy to pinpoint the right camera for your needs. The DORI distance is calculated based on sensor specification and lab test result according to EN 62676-4 which defines the criteria for Detect, Observe, Recognize and Identify respectively.

	DORI Definition	Distance
Detect	25px/m (8px/ft)	37.3m(122ft)
Observe	63px/m (19px/ft)	14.9m(49ft)
Recognize	125px/m (38px/ft)	7.5m(25t)
Identify	250px/m (76px/ft)	3.7m(12ft)

Pan / Tilt / Rotation

Pan/Tilt/Rotation	Pan: 0° ~ 40° Tilt: 0° ~ 55° Rotation: 0° ~ 360°
-------------------	--

Video

Resolution	1080P (1920×1080)
Frame Rate	PAL:1920×1080@25fps, 1280×720@25/50fps; NTSC:1920×1080@30fps, 1280×720@30/60fps
Video Output	1-channel BNC high definition video output / CVBS video output (Can switch)
Day/Night	Electronic
OSD Menu	Multi-language

BLC Mode	BLC / HLC / DWDR
WDR	DWDR
Gain Control	AGC
Noise Reduction	2D
White Balance	Auto / Manual
Smart IR	Auto / Manual

Certifications

Certifications	CE (EN55032, EN55024, EN50130-4) FCC (CFR 47 FCC Part 15 subpartB, ANSI C63.4-2014) EN50155 (EN50121-3-2, IEC61373)
----------------	---

Interface

Audio Interface	Built-in Mic
-----------------	--------------

Electrical

Power Supply	12V DC ±25%
Power Consumption	Max 1.5W (12V DC, IR on)

Environmental

Operating Conditions	-40°C ~ +60°C (-40°F ~ +140°F) / Less than 95% RH * Start up should be done at above -40°C (-40°F)
Storage Conditions	-40°C ~ +60°C (-40°F ~ +140°F) / Less than 95% RH
Ingress Protection & Vandal Resistance	N/A

Construction

Casing	Plastic
Dimensions	71.6mm×60.9mm×45.9mm (2.82"×2.4"×1.8")
Net Weight	0.085kg (0.187lb)
Gross Weight	0.160kg(0.353lb)

Ordering Information

Type	Part Number	Description
2MP Camera	DH-HAC-HDW1200LP (2.1mm)	2MP HDCVI Mobile IR Eyeball Camera, PAL
	DH-HAC-HDW1200LN (2.1mm)	2MP HDCVI Mobile IR Eyeball Camera, NTSC
Accessories	PFM800-E	Passive HDCVI Balun
	PFM800-4MP	Passive HDCVI Balun
	PFM801-4MP	Passive HDCVI Balun With Power
	PFM321	12V 1A Power Adapter
	PFM320D-015	12V 1.5A Power Adapter
	PFM820	UTC Controller

Accessories

Optional:



PFM800-E
Passive HDCVI Balun



PFM800-4MP
Passive HDCVI Balun



PFM801-4MP
Passive HDCVI Balun
With Power



PFM321
12V 1A Power Adapter



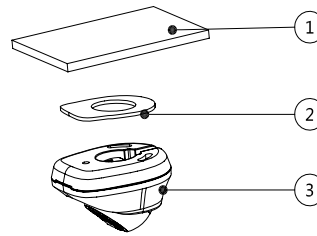
PFM320D-015
Power Adapter



PFM820
UTC Controller

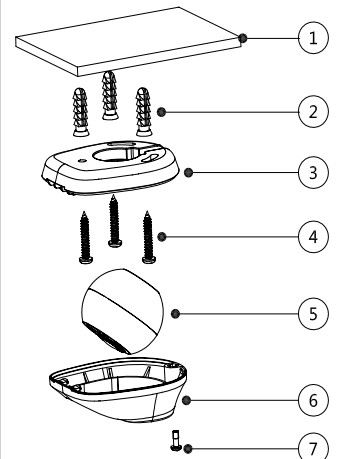
Installation

3M Double-side Tape Mounting Mode:



- ① Mounting Surface
- ② 3M Double-side Tape
- ③ Unit Device

Screw Mounting Mode:



- ① Mounting Surface
- ② Expansion Bolt
- ③ Pedestal
- ④ Self-tapping Screw
- ⑤ Dome Body
- ⑥ Compression Cover
- ⑦ Cover Screw

Dimensions (mm/inch)

