

## DH-IPC-HDBW5221E-Z

---

2MP Full HD WDR Network Vandal-proof IR Dome Camera



### Features

- 1/2.7" 2Megapixel progressive scan CMOS
- Support H.264&MJPEG dual codec
- 25/30fps@1080(1920×1080)
- Smart Detection supported
- WDR(120dB), Day/Night(ICR), 3DNR, AWB, AGC, BLC
- Multiple network monitoring: Web viewer, CMS(DSS/PSS) & DMSS
- 2.7mm ~12mm motorized lens
- 1/1 Alarm in/out, 1/1 audio in/out
- Max. IR LEDs Length 50m
- Micro SD memory, IP67, IK10, PoE

# DH-IPC-HDBW5221E-Z

## Technical Specifications

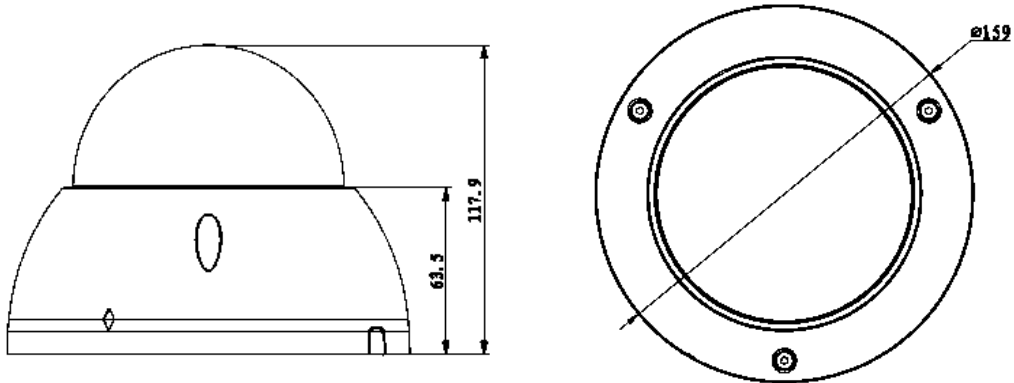
|                          |  |                          |
|--------------------------|--|--------------------------|
| <b>Model</b>             | <b>DH-IPC-HDBW5221E-Z</b>  |                          |
| <b>Camera</b>            |  |                          |
| Image Sensor             | 1/2.7" 2Megapixel progressive scan CMOS  |                          |
| Effective Pixels         | 1920(H) x 1080(V)  |                          |
| Scanning System          | Progressive  |                          |
| Electronic Shutter Speed | Auto/Manual, 1/3(4)~1/100000s  |                          |
| Min. Illumination        | 0.01Lux/F1.4(Color); 0Lux/F1.4(IR on)  |                          |
| S/N Ratio                | More than 50dB   |                          |
| Video Output             | 1 port   |                          |
| <b>Camera Features</b>   |  |                          |
| Max. IR LEDs Length      | 50m  |                          |
| Day/Night                | Auto(ICR) / Color / B/W  |                          |
| Backlight Compensation   | BLC / HLC /WDR(120dB)  |                          |
| White Balance            | Auto/Sunny/Night/Outdoor/Customized  |                          |
| Gain Control             | Auto/Manual  |                          |
| Noise Reduction          | 3D   |                          |
| Privacy Masking          | Up to 4 areas  |                          |
| <b>Lens</b>              |  |                          |
| Focal Length             | 2.7mm~12mm   |                          |
| Max Aperture             | F1.4   |                          |
| Focus Control            | Motorized  |                          |
| Angle of View            | H: 99°~34°   |                          |
| Lens Type                | Motorized/ Auto Iris(DC)   |                          |
| Mount Type               | Board-in Type  |                          |
| <b>Video</b>             |  |                          |
| Compression              | H.264/H.264H/H.264B/MJPEG  |                          |
| Resolution               | 1080P(1920x1080)/1.3M(1280x960)/720P(1280x720)/D1(704x576 /704x480)/CIF(352x288/352x240) |                          |
| Frame Rate               | Main Stream  | 1080P/720P(1 ~ 25/30fps) |
|                          | Sub Stream   | D1/CIF(1 ~ 25/30fps)     |
|                          | Third Stream   | 720P(1 ~ 13/4fps)        |
| Bit Rate                 | H.264: 32K ~ 10Mbps  |                          |
| Corridor Mode            | Support  |                          |
| <b>Audio</b>             |  |                          |
| Compression              | G.711a/ G.711u/ AAC  |                          |
| Interface                | 1/1 channel In/Out   |                          |
| <b>Smart Function</b>    |  |                          |
| Smart detection          | Tripwire   |                          |
|                          | Intrusion  |                          |
|                          | Abandoned/Missing  |                          |
|                          | Scene Change   |                          |

## DH-IPC-HDBW5221E-Z





|                            |  |
|----------------------------|--|
|                            | Audio detect   |
|                            | Face detect  |
| <b>Network</b>             |  |
| Ethernet                   | RJ-45 (10/100Base-T)   |
| Wi-Fi                      | N/A  |
| Protocol                   | IPv4/IPv6, HTTP, HTTPS, SSL, TCP/IP, UDP, UPnP, ICMP, IGMP, SNMP, RTSP, RTP, SMTP, NTP, DHCP, DNS, PPPOE, DDNS, FTP, IP Filter, QoS, Bonjour, 802.1x |
| ONVIF                      | ONVIF,PSIA,CGI   |
| Max. User Access           | 20users  |
| Smart Phone                | iPhone, iPad, Android, Windows Phone   |
| <b>Auxiliary Interface</b> |  |
| Memory Slot                | Micro SD, Max 128GB  |
| RS485                      | N/A  |
| Alarm                      | 1/1 channel In/Out   |
| PIR Sensor Range           | N/A  |
| <b>General</b>             |  |
| Power Supply               | DC12V(AC24V optional), PoE (802.3af)   |
| Power Consumption          | Max 10W (with IR on, motorized lens working)   |
| Working Environment        | -30°C~+60°C, Less than 95% RH  |
| Ingress Protection         | IP67   |
| Vandal Resistance          | IK10   |
| Dimensions                 | Φ 159mm×117.9mm  |
| Weight                     | 0.8Kg  |

# DH-IPC-HDBW5221E-Z

## Dimensions (mm)



## Accessory (optional)

| PFA101  | PFB302S   | PFA152   | PFB300C   |
|---|---|--|---|
|  |  |  |  |

### Dahua Technology Co., Ltd.

1199 BinAn Road, Binjiang District, Hangzhou, China

Tel: +86-571-87688883

Fax: +86-571-87688815

Email: [overseas@dahuatech.com](mailto:overseas@dahuatech.com)

[www.dahuasecurity.com](http://www.dahuasecurity.com)

\*Design and specifications are subject to change without notice.

© 2015 Dahua Technology Co., Ltd.