

GV-EBD2702 2MP H.265 Low Lux WDR IR Eyeball IP Dome

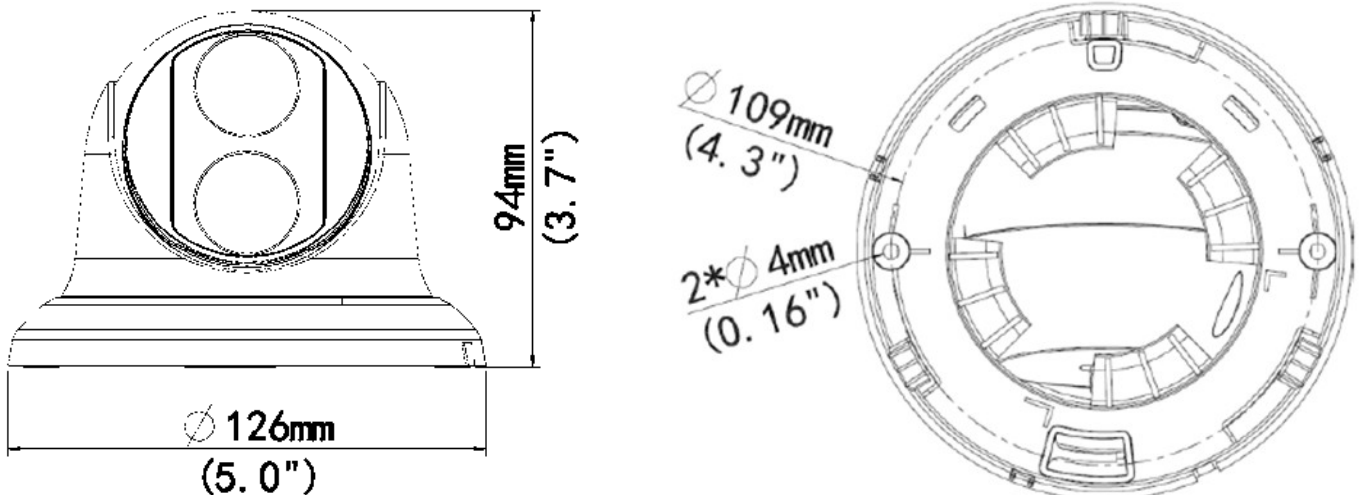


- 1/2.7" progressive scan low lux CMOS sensor
- Min. illumination at 0.02 lux
- Triple streams from H.265, H.264 or MJPEG
- Up to 30 fps at 1920 x 1080
- Day and night function (with removable IR-cut filter)
- Intelligent IR
- IR distance up to 30 m (98.4 ft)
- Wide Dynamic Range (WDR)
- Ingress protection (IP67)
- DC 12V / PoE (IEEE 802.3af)
- Defog
- 3D noise reduction
- Motion detection
- Text overlay
- Privacy mask
- ONVIF (Profile S) conformant

Introduction

The H.265 Target Eyeball Dome is a compact outdoor network camera equipped with an automatic IR-cut filter and an IR LED for day and night surveillance. The camera adheres to IP67 standards and can withstand a wide temperature range. The camera supports H.265 video codec to achieve better compression ratio while maintaining high quality image at reduced network bandwidths. With Wide Dynamic Range, it can process scenes with contrasting intensity of lights and produce clear image.

Dimensions



Specifications

Camera		
Image Sensor		1/2.7" progressive scan low lux CMOS
Picture Elements		1920 (H) x 1080 (V)
Minimum Illumination	Color	0.02 Lux
	IR ON	0 Lux
Shutter Speed		Auto / Manual (1/6 ~ 1/100000 sec)
White Balance		Auto / Manual
Gain Control		Auto / Manual
S/N Ratio		52 dB
WDR		Yes
Dynamic Range		Up to 72 dB
Optical Lens		
Megapixel		Yes
Day / Night		Yes (with removable IR-cut filter)
Lens Type		Fixed
Focal Length		2.8 mm
Maximum Aperture		F/1.8
Mount		M12
Horizontal FOV		109.9°
Operation	Focus	Fixed
	Zoom	Fixed
	Iris	Fixed
IR LED Quantity		1 IR LED
Max. IR Distance		30 m (98.4 ft)
Operation		
Video Compression		H.265, H.264, MJPEG
Video Streaming		Triple streams
Frame Rate		30 fps at 1920 x 1080 *The frame rate and performance may vary depending on the number of connections and data bitrates (different scenes).
Video Resolution		
Main Stream		1920 x 1080 (Default)
Sub Stream		1280 x 720, 720 x 576 (Default), 704 x 288, 352 x 288
Third Stream (Closed by Default)		720 x 576, 704 x 288, 352 x 288
Network		
Interface		10/100 Ethernet
Protocol		DHCP, FTP, HTTP, HTTPS, ICMP, IPv4, IPv6, L2TP, NTP, ONVIF (Profile S), RTP, RTSP, SMTP, SIP, TCP, UDP
Mechanical		
Camera Angle Adjustment	Pan	0° ~ 360°
	Tilt	0° ~ 77°
	Rotate	0° ~ 360°
Connectors	Power	DC Jack
	Ethernet	RJ-45
General		
Environment Temperature	Start-up	-35°C ~ 60°C (-31°F ~ 140°F)
	Operation	
Humidity		0% ~ 95% (no condensation)
Power Source		12V DC / PoE (IEEE 802.3af)
Max. Power Consumption		5.5 W
Dimensions		∅126 x 94 mm (∅5.0" x 3.7")
Weight		0.33 kg (0.73 lb)
Ingress Protection		IP67
Regulatory		CE, FCC, RoHS, UL compliant

Web Interface	
Installation Management	Web-based configuration
Maintenance	Firmware upgrade through Web Browser or Utility
Access from Web Browser	Live View, Video Recording, Change Video Quality, Bandwidth Control, Image Snapshot, Defog, Text Overlay, Image Masking
Language	English
Applications	
Software Supported	GV-DVR / NVR (V8.7.4.0), GV-VMS (V16.11.0.0), GV-Control Center (V3.5.0.0), GV-Edge Recording Manager (V1.3.0.0), GV-Recording Server (V1.3.0.0), GV-Redundant / Failover Server (V1.1.0.0)
Live Viewing	Browser (IE, Firefox, Safari)




Note:

1. It is required to apply patch files to all the supported software.
2. Do not use clothes or any ordinary material to clean the camera cover since they may result in scratches.
3. Specifications are subject to change without notice.

Packing List

- | | |
|------------------------------|--------------------------|
| 1. H.265 Target Eyeball Dome | 5. Drill Template Paster |
| 2. Waterproof Rubber Set | 6. Download Guide |
| 3. Screw x 3 | 7. Warranty Card |
| 4. Screw Anchor x 3 | |

Accessories

Model No.	Name	Details
GV-Mount211	Wall Mount Bracket	Dimensions: 233 x 126 x 126 mm (9.2" x 5" x 5") Weight: 0.92 kg (2.0 lb)
		
GV-Mount212	Wall Box Mount	Dimensions: Ø 126 x 36 mm (5.0" x 1.4") Weight: 0.18 kg (0.4 lb)
		
GV-PA191	Power over Ethernet (PoE) Adapter	GV-PA191 is a Power over Ethernet (PoE) adapter designed to provide power to the IP device through a single Ethernet cable.
		
GV-PoE Switch		GV-PoE Switch is designed to provide power along with network connection for IP devices. GV-PoE Switch is available in various models with different numbers and types of ports.
Power Adapter		Contact our sales representatives for the countries and areas supported.