

GV-EBD4711 4MP H.265 4.4x Zoom Low Lux WDR Pro IR Eyeball IP Dome

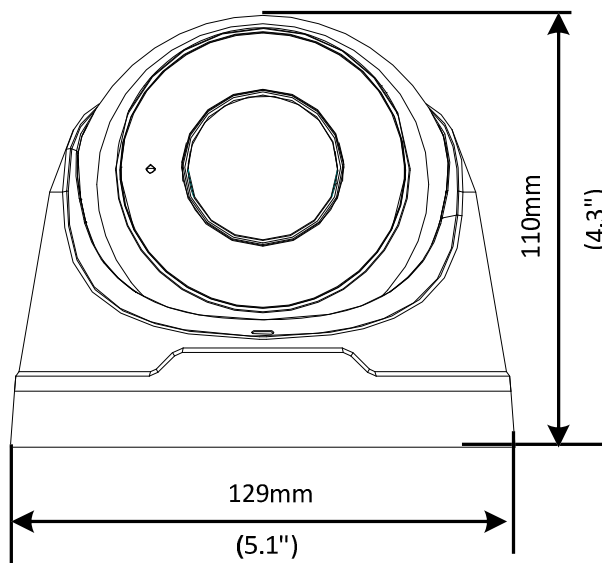


- 1/3" progressive scan low lux CMOS sensor
- Min. illumination at 0.03 lux (B/W) and 0.05 lux (color)
- Triple streams from H.265, H.264 or MJPEG
- Up to 20 fps at 2592 x 1520, 25 fps at 2560 x 1440, 30 fps at 2048 x 1520
- Motorized varifocal lens for remote focus/zoom adjustment
- Intelligent IR
- IR distance up to 30 m (98.4 ft)
- Built-in microphone
- Built-in micro SD card slot (SD/SDHC/SDXC/UHS-I) for local storage
- Day and night function (with removable IR-cut filter)
- Ingress protection (IP67)
- DC 12V / PoE (IEEE 802.3af)
- Wide Dynamic Range Pro (WDR Pro)
- Defog
- 3D noise reduction
- Motion detection
- Tampering alarm
- Text overlay
- Privacy mask

Introduction

The H.265 Target Eyeball Dome is an outdoor, network camera equipped with an automatic IR-cut filter and 2 IR LEDs for day and night surveillance. With its motorized lens, the user can zoom and focus the camera from the Web interface. The camera adheres to IP67 standards. The camera supports H.265 video codec to achieve better compression ratio while maintaining high quality pictures at reduced network bandwidths. With its WDR Pro, it can process scenes with contrasting intensity of lights and produce clear image.

Dimensions



Specifications

Camera		
Image Sensor	1/3" progressive scan low lux CMOS	
Picture Elements	2592 (H) x 1520 (V)	
Minimum Illumination	Color	0.05 Lux
	B/W	0.03 Lux
	IR ON	0 Lux
Shutter Speed	Automatic / Manual (1/6 ~ 1/8000 sec)	
White Balance	Automatic / Manual	
Gain Control	Automatic / Manual	
S/N Ratio	55 dB	
WDR	WDR Pro	
Dynamic Range	100 dB	
Lens		
Megapixel	Yes	
Day / Night	Yes (with removable IR-cut filter)	
Lens Type	Motorized varifocal lens	
Focal Length	2.7~12 mm	
Maximum Aperture	F/1.4	
Mount	M12	
Horizontal FOV	91.0°~27.0°	
Operation	Focus	Auto / Manual
	Zoom	4.4x Optical Zoom
	Iris	Fixed
IR LED Quantity	2 IR LEDs	
Max. IR Distance	30 m (98.4 ft)	
Operation		
Video Compression	H.265, H.264, MJPEG	
Video Streaming	Triple streams from H.265, H.264 or MJPEG	
Frame Rate	20 fps at 2592 x 1520, 25 fps at 2560 x 1440, 30 fps at 2048 x 1520 (60 / 50 Hz) * The frame rate and performance may vary depending on the number of connections and data bitrates (different scenes).	
Audio Compression	G.711	
Audio Support	One-way Audio	
Video Resolution		
Main Stream	2592 x 1520, 2560 x 1440 (Default), 2048 x 1520, 1920 x 1080	
Sub Stream	1280 x 720, 720 x 576 (Default), 704 x 288, 352 x 288	
Third Stream (Closed by Default)	720 x 576, 704 x 288, 352 x 288	
Network		
Interface	10/100 Ethernet	
Protocol	DNS, DHCP, FTP, HTTP, HTTPS, IPv4, IPv6, ICMP, L2TP, NTP, RTP, RTCP, RTSP, SIP, SMTP, SSL, TCP/IP, UDP, ONVIF (Profile S)	
Mechanical		
Camera Angle Adjustment	Pan	0° ~ 360°
	Tilt	0° ~ 75°
	Rotate	0° ~ 360°
Connectors	Power	DC Jack (DC 12V, 1.25A)
	Ethernet	RJ-45
	Audio	1 In (built-in microphone)
	Local Storage	Micro SD card slot (SD/SDHC/SDXC/UHS-I, Class 10) *UHS-II card type is not supported.
General		
Environment Temperature	Start-up	-40°C ~ 60°C (-40°F ~ 140°F)
	Operation	
Humidity	0% ~ 95% (no condensation)	
Power Source	12V DC / PoE (IEEE802.3af)	
Max. Power Consumption	8.16W	

Dimensions	129 x 110 mm (Ø5.08" x 4.3")
Weight	0.67 kg (1.48 lb)
Ingress Protection	IP67
Regulatory	CE, FCC, RoHS compliant
Web Interface	
Installation Management	Web-based configuration
Maintenance	Firmware upgrade through Web Browser or Utility
Access from Web Browser	Live View, Video Recording, Change Video Quality, Bandwidth Control, Image Snapshot, Defog, Digital Zoom, Text Overlay, Image Masking
Language	English
Applications	
Software Supported	GV-DVR / NVR (V8.7.4.0), GV-VMS (V16.11.0.0), GV-Control Center (V3.4.0.0), GV-Recording Server / Video Gateway (V1.3.0.0), GV-Redundant / Failover Server (V1.1.0.0)
Live Viewing	Browser (IE, Firefox, Safari)




Note:

1. It is required to apply patch files to all the supported software.
2. Do not use clothes or any ordinary material to clean the camera cover since they may result in scratches.
3. Specifications are subject to change without notice.

Packing List

- | | |
|------------------------------|-------------------|
| 1. H.265 Target Eyeball Dome | 6. Download Guide |
| 2. Waterproof Rubber Set | 7. Warranty Card |
| 3. Screw x 3 | |
| 4. Screw Anchor x 3 | |
| 5. Drill Template Paster | |

Accessories

Model No.	Name		Details
GV-Mount211P	Wall Mount Bracket		Dimensions: 233 x 126 x 126 mm (9.2" x 5" x 5") Weight: 1 kg (2.2 lb)
GV-Mount212P	Wall Box Mount		Dimensions: Ø 126 x 36 mm (5.0" x 1.4") Weight: 0.22 kg (0.48 lb)
GV-PA191	Power over Ethernet (PoE) Adapter		The GV-PA191 is a Power over Ethernet (PoE) adapter designed to provide power to the IP device through a single Ethernet cable.
GV-POE Switch			The GV-POE Switch is designed to provide power along with network connection for IP devices. The GV-POE Switch is available in various models with different numbers and types of ports.
Power Adapter			Contact our sales representatives for the countries and areas supported.