

DS-2CD211PF-I(W)(S)



Key Features

- Up to 1.3 megapixel (1280 × 960) resolution
- Standard video compression with high compression ratio, ROI (region of interest) encoding
- Progressive scan CMOS, capture motion video without incised margin
- Support dual stream, and the sub-stream for mobile surveillance
- High-performance and long service life infrared LED, Approx. 10 to 30 meters IR range
- Two-way audio(-S)
- Audio I/O(-S)
- Support Wi-Fi(-W)
- IR cut filter with auto switch
- PoE (Power over Ethernet)
- Built-in Micro SD/SDHC/SDXC card slot, up to 128 GB
- Ingress Protection level: IP67
- Impact Protection: IK10
- Other functions: rotate mode, alarm, mirror, reset button, etc
- Support intrusion detection, line crossing detection
- Support VCA, which is compatible with NVR for the second time of video searching and analysing

Specification

| | |
|-------------------|--|
| Model | DS-2CD211PF-I(W)(S) |
| Parameter | 1.3 Megapixel CMOS Vandal-proof Network Dome Camera |
| Camera | |
| Image Sensor | 1/3" Progressive Scan CMOS |
| Min. Illumination | 0.01Lux @ (F1.2, AGC ON) ,0 Lux with IR 0.028 Lux @ (F2.0, AGC ON) ,0 Lux with IR |
| Shutter Speed | 1/3 s to 1/100,000 s |
| Lens | 4mm@ F2.0 (2.8mm, 6mm optional) |
| | Angle of view: 92.5°(2.8mm), 73.1°(4mm) , 46°(6mm) |

| | |
|-----------------------------|--|
| Lens Mount | M12 |
| Day & Night | IR cut filter with auto switch |
| Digital Noise Reduction | 3D DNR |
| Wide Dynamic Range | Digital WDR |
| Angle Adjustment | Pan:0° - 355°, Tilt: 0° - 75°, Rotation: 0-355° |
| Compression Standard | |
| Video Compression | H.264/ MJPEG |
| H.264 Type | Baseline Profile / Main Profile |
| Video Bit Rate | 32 Kbps – 8 Mbps |
| Dual Stream | Yes |
| Audio Compression(-S) | G.711/G.722.1/G.726/MP2L2 |
| Audio Bit Rate(-S) | 64Kbps(G.711) /16Kbps(G.722.1)/16Kbps(G.726) /32-128Kbps(MP2L2) |
| Image | |
| Max. Resolution | 1280 x 960 |
| Max Frame Rate | 50 Hz: 25 fps (1280 × 960), 25 fps (1280 x 720) 60 Hz: 30 fps (1280 × 960), 30 fps (1280 x 720) |
| Sub Stream | 50 Hz: 25 fps (320 x 240), 25 fps (352 x 288), 25 fps (640 x 480), 25fps(704 x 576) 60 Hz: 30 fps (320 x 240), 30 fps (352 x 288), 30 fps (640 x 480), 30fps(704 x 576) |
| Image Settings | Rotate mode, Saturation, Brightness, Contrast adjustable by client software or web browser |
| Backlight compensation | Yes, zone optional |
| ROI | Support |
| Network | |
| Network Storage | Local storage: Built-in Micro SD/SDHC/SDXC card slot, up to 128 GB. NAS (Support NFS,SMB/CIFS) |
| Detection | Line Crossing, Intrusion Detection, Motion detection, Dynamic analysis |
| Alarm Trigger | Tampering alarm, Network disconnect, IP address conflict, Storage exception |
| Protocols | TCP/IP, UDP,ICMP,HTTP,HTTPS,FTP,DHCP,DNS,DDNS,RTP,RTSP,RTCP, NTP,UPnP,SMTP,IGMP,802.1X,QoS,IPv6,Bonjour |
| General | One-key reset, Anti-Flicker, heartbeat, mirror, password protection, privacy mask, watermark, IP address filtering, Anonymous access |
| Standard | ONVIF, PSIA, CGI, ISAPI |
| Interface | |
| Communication Interface | 1 RJ45 10M/100M Ethernet interface |
| Alarm interface | -S: 1 alarm I/O |
| Audio interface | -S: 1 audio I/O |

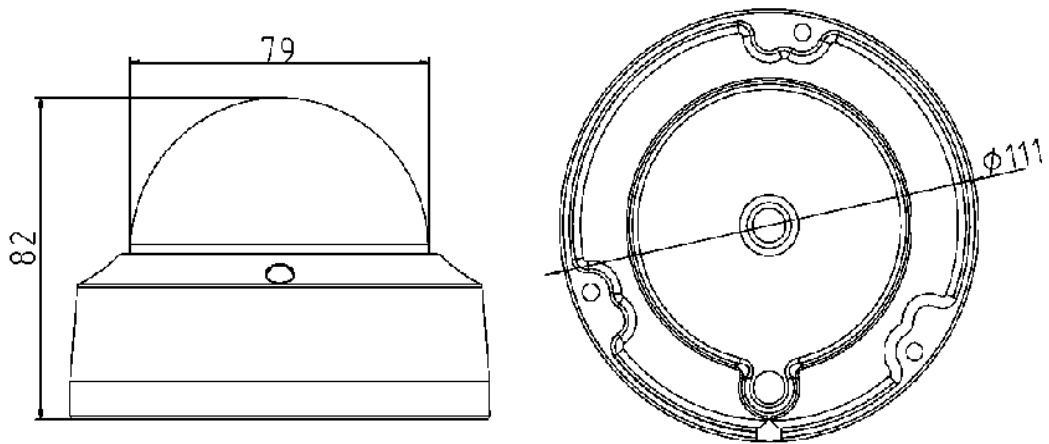
| Wi-Fi Specification(Only for the products with Wi-Fi module built-in) | |
|---|---|
| Wireless Standards | IEEE802.11b, 802.11g, 802.11n |
| Frequency Range | 2.4 GHz ~ 2.4835 GHz |
| Channel Bandwidth | 20/40MHz Support |
| Protocols | 802.11b: CCK, QPSK, BPSK 802.11g/n: OFDM |
| Security | 64/128-bit WEP, WPA/WPA2, WPA-PSK/WPA2-PSK, WPS |
| Transfer Rates | 11b: 11Mbps 11g: 54Mbps 11n: up to 150Mbps |
| Wireless Range | 50m(depend on environment) |
| Wireless Standards | IEEE802.11b, 802.11g, 802.11n |
| General | |
| Operating Conditions | -30 °C – 60 °C (-22 °F – 140 °F) Humidity 95% or less (non-condensing) |
| Power Supply | 12 V DC ± 10% PoE (802.3af) |
| Power Consumption | Max. 5W |
| Material | Base: Metal; Top Cover: Plastic |
| Ingress Protection level | IP67 |
| IR Range | 30 meters |
| Impact Protection | IK10 |
| Dimensions | Φ111 × 82 (4.4" × 3.2") |
| Weight | 500g (1.1 lb) |

* "-W" series support Wi-Fi (802.11b/g/n) and the modules with Wi-Fi function don't support the 802.1X protocol.

Order Models

DS-2CD211PF-I, DS-2CD211PF-IW, DS-2CD211PF-IS, DS-2CD211PF-IWS

Dimensions



Accessories



Inclined ceiling mount
DS-1259ZJ



Wall mount
DS-1272ZJ-110