

DS-2CD2645FWD-IZS 4 MP IR Vari-focal Bullet Network Camera



Key Features

- 1/2.5" Progressive Scan CMOS
- 2688 × 1520 @30 fps
- 2.8 to 12 mm motorized vari-focal lens
- H.265+, H.265, H.264+, H.264
- 4 Behavior analyses
- 120dB WDR
- Powered by Darkfighter
- IR range: up to 50 m
- BLC/3D DNR/ROI/HLC
- IP67, IK10
- Built-in microSD/SDHC/SDXC card slot, up to 128 GB
- Color: 0.008 lux @(F1.2, AGC ON), 0.011 lux @(F1.4, AGC ON), 0 lux with IR



Specifications

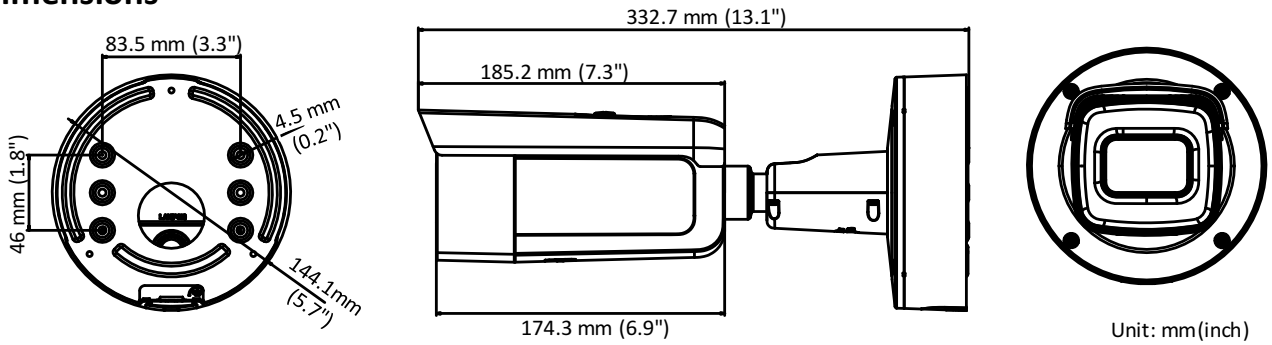
Camera	
Image Sensor	1/2.5" Progressive Scan CMOS
Min. Illumination	Color: 0.008 lux @(F1.2, AGC ON), 0.011 lux @(F1.4, AGC ON), 0 lux with IR
Shutter Speed	1/3 s to 1/100,000 s
Slow Shutter	Yes
Auto-Iris	No
Day & Night	IR Cut Filter
Digital Noise Reduction	3D DNR
WDR	120dB
3-Axis Adjustment	Pan: 0° to 360°, tilt: 0° to 90°, rotate: 0° to 360°
Lens	
Focal Length	2.8 to 12 mm
Aperture	F1.4
Focus	Auto
FOV	2.8 mm to 12 mm, horizontal FOV: 114° to 32°, vertical FOV: 59° to 18°, diagonal FOV: 141° to 36.5°
Lens Mount	Ø14
IR	
IR Range	Up to 50 m
Wavelength	850nm
Compression Standard	
Video Compression	Main stream: H.265/H.264 Sub stream: H.265/H.264/MJPEG Third stream: H.265/H.264
H.264 Type	Main Profile/High Profile
H.264+	Main stream supports
H.265 Type	Main Profile
H.265+	Main stream supports
Video Bit Rate	32 Kbps to 16 Mbps
Audio Compression	G.711/G.722.1/G.726/MP2L2/PCM
Audio Bit Rate	64Kbps(G.711)/16Kbps(G.722.1)/16Kbps(G.726)/32-192Kbps(MP2L2)
Smart Feature-set	
Behavior Analysis	Line crossing detection, intrusion detection, object removal detection, unattended baggage detection
Exception Detection	Scene change detection
Face Detection	Yes
Region of Interest	Support 1 fixed region for main stream and sub-stream
Image	
Max. Resolution	2688 × 1520
Main Stream	50Hz: 25 fps (2688 × 1520, 2304 × 1296, 1920 × 1080) 60Hz: 30 fps (2688 × 1520, 2304 × 1296, 1920 × 1080)
Sub-Stream	50Hz: 25 fps (640 × 480, 640 × 360, 320 × 240) 60Hz: 30 fps (640 × 480, 640 × 360, 320 × 240)
Third Stream	50Hz: 25 fps (1280 × 720, 640 × 360, 352 × 288) 60Hz: 30 fps (1280 × 720, 640 × 360, 352 × 240)

Image Enhancement	BLC/3D DNR/HLC
Image Settings	Rotate mode, saturation, brightness, contrast, sharpness, and white balance adjustable by client software or web browser
Target Cropping	No
SVC	H.264 and H.265 encoding support
Day/Night Switch	Day/Night/Auto/Schedule/Triggered by alarm in
Network	
Network Storage	Support microSD/SDHC/SDXC card (128G), local storage and NAS (NFS,SMB/CIFS), ANR
Alarm Trigger	Motion detection, video tampering, network disconnected, IP address conflict, illegal login, HDD full, HDD error
Protocols	TCP/IP, ICMP, HTTP, HTTPS, FTP, DHCP, DNS, DDNS, RTP, RTSP, RTCP, PPPoE, NTP, UPnP, SMTP, SNMP, IGMP, 802.1X, QoS, IPv6, Bonjour
General Function	One-key reset, anti-flicker, three streams, heartbeat, mirror, password protection, privacy mask, watermark, IP address filter
Firmware Version	V5.5.52
API	ONVIF (PROFILE S, PROFILE G), ISAPI
Simultaneous Live View	Up to 6 channels
User/Host	Up to 32 users 3 levels: Administrator, Operator and User
Client	iVMS-4200, Hik-Connect, iVMS-5200, iVMS-4500
Web Browser	IE8+, Chrome 31.0-44, Firefox 30.0-51, Safari 8.0+
Interface	
Audio	1 input (line in, 3.5 mm), 1 output (line out, 3.5 mm), mono sound
Alarm	1 input, 1 output (max. 12 VDC, 30 mA), terminal block
Video Output	1Vp-p Composite Output(75Ω) (For adjustment only)
Communication Interface	1 RJ45 10M/100M self-adaptive Ethernet port
On-board storage	Built-in microSD/SDHC/SDXC slot, up to 128 GB
Reset Button	Yes
Audio	
Environment Noise Filtering	Yes
Audio Sampling Rate	8kHz/16kHz/32kHz/44.1kHz/48kHz
General	
Operating Conditions	-30 °C to +60 °C (-22 °F to +140 °F), humidity 95% or less (non-condensing)
Power Supply	12 VDC ± 25%, terminal block for DC input PoE(802.3at, class 4)
Power Consumption and Current	12 VDC, 1.2 A, max. 14.4 W PoE (802.3at, 42.5V to 57V), 0.5 A to 0.3 A, max. 18 W
Protection Level	IP67, IK10
Material	Metal
Dimensions	Φ144.1 × 332.7 mm (Φ5. 7"× 13.1")
Weight	Camera: approx. 1893 g (4.2 lb.)

Available Model:

DS-2CD2645FWD-I2S (2.8 to 12 mm)

Dimensions



Accessories



DS-1475ZJ-SUS

Vertical Pole Mount



DS-1476ZJ-SUS

Corner Mount

Distributed by



HIKVISION®

Headquarters

No.555 Qianmo Road, Binjiang District,
Hangzhou 310051, China
T +86-571-8807-5998
overseasbusiness@hikvision.com

Hikvision USA
T +1-909-895-0400
sales.usa@hikvision.com

Hikvision Australia
T +61-2-8599-4233
salesau@hikvision.com

Hikvision India
T +91-22-28469900
sales@pramahikvision.com

Hikvision Canada
T +1-866-200-6690
sales.canada@hikvision.com

Hikvision Thailand
T +662-275-9949
sales.thailand@hikvision.com

Hikvision Europe
T +31-23-5542770
sales.eu@hikvision.com

Hikvision Italy
T +39-0438-6902
info.it@hikvision.com

Hikvision Brazil
T +55 11 3318-0050
Latam.support@hikvision.com

Hikvision Turkey
T +90 (216)521 7070- 7074
sales.tr@hikvision.com

Hikvision Malaysia
T +601-7652-2413
sales.my@hikvision.com

Hikvision UK & Ireland
T +01628-902140
sales.uk@hikvision.com

Hikvision South Africa
Tel: +27 (10) 0351172
sale.africa@hikvision.com

Hikvision France
T +33(0)1-85-330-450
info.fr@hikvision.com

Hikvision Kazakhstan
T +7-727-9730667
nikia.panfilov@hikvision.ru

Hikvision Vietnam
T +84-974270888
sales.vt@hikvision.com

Hikvision UAE
T +971-4-4432090
salesme@hikvision.com

Hikvision Singapore
T +65-6684-4718
sg@hikvision.com

Hikvision Spain
T +34-91-737-16-55
info.es@hikvision.com

Hikvision Tashkent
T +99-87-1238-9438
uzb@hikvision.ru

Hikvision Hong Kong
T +852-2151-1761
info.hk@hikvision.com

Hikvision Russia
T +7-495-669-67-99
saleru@hikvision.com

Hikvision Korea
T +82-(0)31-731-8817
sales.korea@hikvision.com

Hikvision Poland
T +48-22-460-01-50
info.pl@hikvision.com

Hikvision Indonesia
T +62-21-2933759
Sales.Indonesia@hikvision.com

Hikvision Colombia
sales.colombia@hikvision.com