

## DS-2CD6512-I (O)

### 1.3MP Weather- Vandal-Proof Mobile Network Camera



#### Key Features

- Up to 1.3 megapixel high resolution
- 1280 × 960 @30fps video
- Three video streams
- 4mm/6mm/8mm/12mm fixed lens
- 120dB Wide Dynamic Range
- 3D Digital Noise Reduction
- 3-axis adjustment
- Up to 128 GB on-board storage
- DC12V & PoE (802.3af)
- 20 m to 30 m IR range
- Build-in Heater
- IP68 weather-proof protection
- IK10
- M12 aviation plug (optional)
- Multiple smart events supported



## Specification

<b>Camera</b>	
Image Sensor	1/2.7" Progressive Scan CMOS
Min. Illumination	0.01Lux @ (F1.2, AGC ON), 0 Lux with IR
Shutter Speed	1/3 s to 1/100,000 s, support auto electronic shutter
Slow Shutter	Support
Lens	4 mm, horizontal field of view 90° [6 mm (53.9°), 8 mm (37.9°), 12 mm (24.3°), optional]
Lens Mount	M12
Day & Night	IR cut filter
DNR	3D DNR
Wide Dynamic Range	120dB
3-Axis Adjustment	Pan: -15° to 15°, Tilt: 0° to 30°, Rotate: -90° to 90°
<b>Compression Standard</b>	
Video Compression	Main stream: H.264/H.265 Sub stream: H.265/H.264/MJPEG Third stream: H.265/H.264
H.264 Type	Baseline Profile/Main Profile/High Profile
H.264+	Main stream supports
H.265 Type	Main Profile
H.265+	Main stream supports
Video Bit Rate	256 Kbps to 16 Mbps
<b>Image</b>	
Max. Resolution	1280 × 960
Main Stream Max. Frame Rate	50Hz: 25fps (1280 × 960, 1280 × 720) 60Hz: 30fps (1280 × 960, 1280 × 720)
Sub Stream Max. Frame Rate	50Hz: 25fps (704 × 576, 640 × 480, 352 × 288, 320 × 240) 60Hz: 30fps (704 × 480, 640 × 480, 352 × 240, 320 × 240)
Third Stream Max. Frame Rate	50Hz: 25fps (1280 × 960, 1280 × 720, 704 × 576, 640 × 480, 352 × 288, 320 × 240) 60Hz: 30fps (1280 × 960, 1280 × 720, 704 × 480, 640 × 480, 352 × 240, 320 × 240)
Image Enhancement	BLC/HLC/3D DNR/Defog/EIS
Image Settings	Support rotate mode. Brightness, contrast, saturation, and sharpness are adjustable via web browser and client software
ROI (Region of Interest)	Support 4 fixed region for each stream, or face dynamic tracking
Target Cropping	Support
Day/Night Switch	Day/Night/Auto/Scheduled
Picture Overlay	LOGO picture can be overlaid on video with 128 × 128, 24 bit bmp format
<b>Network</b>	
Network Storage	Support Micro SD/SDHC/SDXC card (128G), local storage and NAS (NFS,SMB/CIFS), ANR
Alarm Trigger	Motion Detection, Tampering Alarm, Network Disconnected, IP Address Conflict, Illegal Login, HDD full, HDD error
Detection	Defocus Detection, Scene Change Detection, Face Detection, Intrusion Detection, Line Crossing Detection, Region Entrance Detection, Region Exiting Detection, Unattended Baggage Detection, Object Removal Detection
Protocols	TCP/IP, UDP, ICMP, HTTP, HTTPS, FTP, DHCP, DNS, DDNS, RTP, RTSP, RTCP, PPPoE, NTP, UPnP, SMTP, SNMP, IGMP, 802.1X, QoS, IPv6
Standard	ONVIF (PROFILE S, PROFILE G), PSIA, CGI, ISAPI

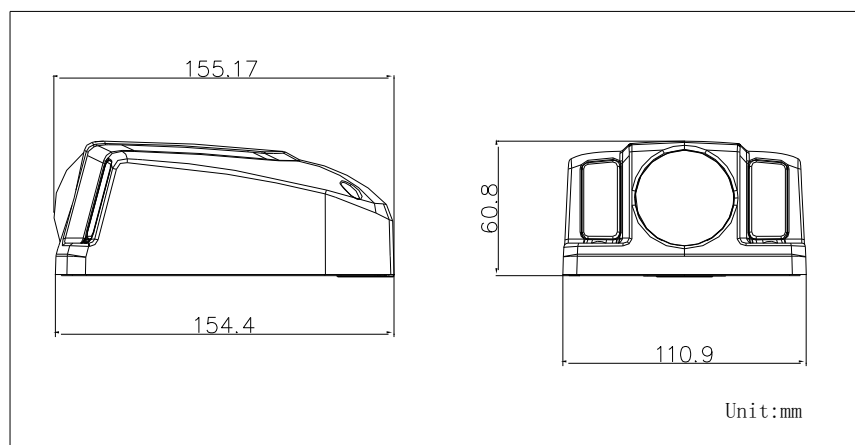
General Function	One-key Reset, Dual-VCA, Anti-Flicker, Three Streams, Heartbeat, Mirror, Password Protection, Privacy Mask, Watermark, IP Address Filter
<b>Interface</b>	
Communication Interface	-IO: 1 RJ45 10M/100M Ethernet port -I: M12 aviation plug
Video Out	1Vp-p Composite Output(75Ω/BNC)
<b>General</b>	
Operating Conditions	-40 °C to +65 °C (-40 °F to +149°F), Humidity 95% or less (non-condensing)
Power Supply	DC12V; PoE (802.3af, class ?)
Power Consumption	Max. 8W
Build-in Heater	Support
IR Range	20 m to 30 m
Protection Level	IP68, IK10
Dimensions	155.17 × 110.9 × 60.8 mm (6.1" × 4.4" × 2.4")
Weight	960g (2.1lbs)

## Order Models

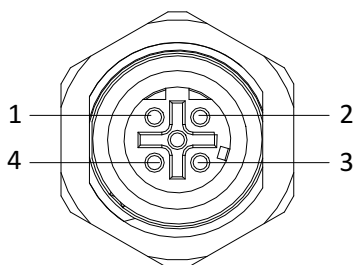
DS-2CD6512-IO: a RJ45 network interface and a power supply interface

DS-2CD6512-I: an M12 aviation plug

## Dimension



## Interface Description



	M12 Wire	R-J45 Wire
<b>TX+</b>	1	1
<b>TX-</b>	3	2
<b>RX+</b>	2	3
<b>RX-</b>	4	6

M12 Interface Description

Distributed by



## HIKVISION

### Headquarters

No.555 Qianmo Road, Binjiang District,  
Hangzhou 310051, China  
T +86-571-8807-5998  
overseasbusiness@hikvision.com

**Hikvision USA**  
T +1-909-895-0400  
sales.usa@hikvision.com

**Hikvision Italy**  
T +39-0438-6902  
info.it@hikvision.com

**Hikvision Singapore**  
T +65-6684-4718  
sg@hikvision.com

**Hikvision Africa**  
T +27 (0) 0351172  
sale.africa@hikvision.com

**Hikvision Europe**  
T +31-23-55-42-770  
info.eu@hikvision.com

**Hikvision France**  
T +33(0)1-85-330-450  
info.fr@hikvision.com

**Hikvision Oceania**  
T +61-2-8599-4233  
salesau@hikvision.com

**Hikvision Hong Kong**  
T +852-2151-1761

**Hikvision Middle East**  
T +971-4-8816086  
salesme@hikvision.com

**Hikvision Spain**  
T +34-91-737-16-55  
info.es@hikvision.com

**Hikvision Canada**  
T +1-909-895-0400  
sales.usa@hikvision.com

**Hikvision Russia**  
T +7-495-669-67-99  
sateru@hikvision.com

**Hikvision Poland**  
T +48-22-460-01-50  
poland@hikvision.com

**Hikvision Korea**  
T +82-31-731-8841  
sales.korea@hikvision.com

**Hikvision India**  
T +91-22-28469900  
sales@pramahikvision.com

**Hikvision UK**  
T +01628-902140  
support.uk@hikvision.com

**Hikvision Brazil**  
T +55 11 3318-0050  
Latam.support@hikvision.com