

## DS-2DE7184 Series

### E Series 2 Megapixel Network IR Speed Dome



## Key features

### IR function:

- 0 Lux minimum illumination
- Up to 120m IR distance
- IR light MTBF reaching up to 30,000 hours
- Smart IR mode

### System function:

- High performance CMOS, up to 1920x1080 resolution
- $\pm 0.1^\circ$  Preset Accuracy
- ONVIF(Open Network Video Interface Forum), CGI(Common Gateway Interface), PSIA(Physical Security Interoperability Alliance), to ensure greater interoperability between different platforms and compatibility
- 3D intelligent positioning function
- Power-off memory function: restore PTZ & Lens status after reboot
- Support ezviz cloud P2P

### Smart function:

- Smart detection: intrusion detection, line crossing detection, audio exception detection
- Smart recording: edge recording, support smart search in smart NVR
- Smart image processing: defog
- Smart codec: low bit rate, ROI

### PTZ function:

- 360° endless pan range and -15°-90° tilt range
- 240°/s Pan Preset Speed and 200°/s Tilt Preset Speed
- 0.1°-160°/s Manual Pan Speed and 0.1°-120°/s Manual Tilt Speed
- 300 presets programmable; preset image freezing capability
- 8 patrols, up to 32 presets per patrol

- Proportional zoom function

## Network function:

- H.264/ MPEG4 video compression and the latest processing chip and platform
- Built-in Web server
- Micro SD card local storage(SD card is optional)
- Support up to 8 NAS storage; Transmit the videos from SD card to the NAS after network resumed
- HTTPS encryption and IEEE 802.1X port-based network access control
- Support dual-stream;H.264MPEG4 video compression; Basic and advanced video configuration; Real time video at 960P or 720P
- Multiple network protocols supported: IPv4/IPv6, HTTP, HTTPS, 802.1X, QoS, FTP, SMTP, UPnP, SNMP, DNS, DDNS, NTP, RTSP, RTP, TCP, UDP, IGMP, ICMP, DHCP, PPPoE
- 1 audio input and 1 audio output
- 2 alarm input and 1 alarm output, alarm linkage support preset, patrol, pattern, recording, relay output, upload center, etc.

## Application Scenarios

It can be widely applied to places with no lights or weak lights requiring wide-area and high-definition monitoring, such as rivers, forests, highways, railways, airports, ports, sentries, squares, parks, scenic sites, streets, stations, large venues, outside of residential areas, etc.

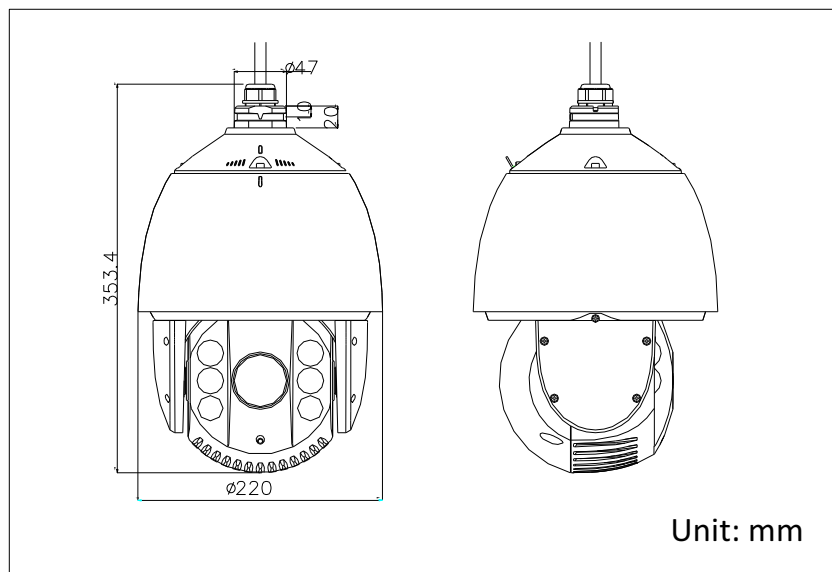
## Specifications

| Parameter    |                   | Model   |
|--------------|-------------------|---|
|              |                   | DS-2DE7184-A: 24VAC, Outdoor<br>DS-2DE7184-AE: 24VAC & Hi-PoE, Outdoor<br>E Series 2 Megapixel Network IR Speed Dome  |
| Camera       | Image Sensor      | 1/2.8" Progressive Scan CMOS  |
|              | Effective Pixel   | 2230K pixels  |
|              | Min. Illumination | Color : 0.05 lux (F1.6, 1/30 sec, 50 IRE, AGC On)<br>B/W : 0.01 lux (F1.6, 1/30 sec, 50 IRE, AGC On)<br>0 lux with IR<br>Color : 0.02 lux (F1.6, 1/1 sec, 50 IRE, AGC On)<br>B/W : 0.002 lux (F1.6, 1/1 sec, 50 IRE, AGC On)<br>0 lux with IR |
|              | White Balance     | Auto / Manual /ATW/Indoor/Outdoor/Daylight lamp/Sodium lamp   |
|              | AGC               | Auto / Manual   |
|              | S / N Ratio       | ≥ 52dB  |
|              | 3D DNR            | Support   |
|              | BLC               | Support   |
|              | HLC               | Support   |
|              | DWDR              | Support   |
| Defog        | Support           |   |
| Shutter Time | 1-1/10,000s       |   |

|                          |                       |   |
|--------------------------|-----------------------|---|
|                          | Day & Night           | IR Cut Filter   |
|                          | Digital Zoom          | 16X   |
|                          | Privacy Mask          | 2 privacy masks programmable  |
|                          | Focus Mode            | Auto / Semiautomatic / Manual   |
| <b>Lens</b>              | Focal Length          | 4.7-94mm, 20x   |
|                          | Zoom Speed            | Approx.3s(Optical Wide-Tele)  |
|                          | Angle of View         | 58.3-3.2 degree (Wide-Tele)   |
|                          | Min. Working Distance | 10-1000mm(Wide-Tele)  |
|                          | Aperture Range        | F1.6-F3.5   |
| <b>Pan and Tilt</b>      | Pan Range             | 360° endless  |
|                          | Pan Speed             | Pan Manual Speed: 0.1°-160°/s,<br>Pan Preset Speed: 240°/s  |
|                          | Tilt Range            | -15°-90° (Auto Flip )   |
|                          | Tilt Speed            | Tilt Manual Speed: 0.1°-120°/s,<br>Tilt Preset Speed: 200°/s  |
|                          | Proportional Zoom     | Rotation speed can be adjusted automatically according to zoom multiples  |
|                          | Number of Preset      | <b>300</b>  |
|                          | Park action           | Pattern/Pan scan/Tilt scan/Frame scan/Panorama scan/Random scan   |
|                          | Patrol                | 8 patrols, up to 32 presets per patrol  |
|                          | Power-off Memory      | Support   |
|                          | PTZ Position Display  | On / Off  |
|                          | Preset Freezing       | Support   |
|                          | Scheduled Task        | Auto scan / Frame scan / Random scan / Patrol / Pattern / Preset / Panorama scan / Tilt scan /<br>Dome reboot / Dome adjust / Aux output  |
| <b>Infrared</b>          | IR Distance           | 120m  |
|                          | IR Intensity          | Automatically adjusted, depending on the zoom ratio   |
| <b>Input/<br/>Output</b> | Alarm Input           | 2 (0-5v DC)   |
|                          | Alarm Output          | 1 relay output, alarm response actions configurable   |
|                          | Alarm Trigger         | <b>Intrusion detection, Line crossing detection</b> , Motion detection, Audio Exception Detection,<br>Dynamic analysis, Tampering alarm, Network disconnect, IP address conflict, Storage exception |
|                          | Alarm Actions         | Preset, Patrol, Pattern, Recording, Relay output, Upload center, <b>upload FTP, email linkage</b>   |
|                          | Audio Input           | 1 audio input (Mic/Line in), 2-2.4V[p-p]; output impedance: 1KΩ, ±10%   |
|                          | Audio Output          | 1 output, Line level, impedance: 600Ω   |
| <b>Network</b>           | Ethernet              | 10Base-T / 100Base-TX, RJ45 connector   |
|                          | Max. Image Resolution | 1920×1080   |
|                          | Frame Rate            | 50Hz: 25 fps (1920×1080), 25 fps (1280×960) , 25 fps (1280×720)<br>60Hz: 30 fps (1920×1080), 30 fps (1280×960) , 30 fps (1280×720)  |
|                          | Image Compression     | H.264/MJPEG   |
|                          | ROI encoding          | Support 2 areas with adjustable levels  |
|                          | Audio Compression     | G.711/G.722/G.726/MP2L2   |
|                          | Protocols             | IPv4/IPv6, HTTP, HTTPS, 802.1X, QoS, FTP, SMTP, UPnP, SNMP, DNS, DDNS, NTP, RTSP, RTP, TCP,   |

|                           |   |   |
|---------------------------|---|---|
|                           |   | UDP, IGMP, ICMP, DHCP, PPPoE  |
|                           | Number of Simultaneous Live View              | Up to 20  |
|                           | Dual Streams                                  | Support   |
|                           | Mini SD Memory Card                           | Micro SD Slot, up to 128GB, edge recording  |
|                           | User/Host Level                               | Up to 32 users,3 Levels: Administrator, Operator and User   |
|                           | Security Measures                             | User authentication (ID and PW),<br>Host authentication (MAC address)<br>IP address filtering                               |
| <b>System Integration</b> | Interface for application programming         | Open-ended API, support Onvif, PSIA and CGI<br>Support ezviz cloud P2P  |
|                           | Web Browser                                   | IE 7+, Chrome 18 +, Firefox 5.0 +, Safari 5.02 +  |
|                           | Power   | 24 VAC(for -A model ), Hi-PoE & 24 VAC(for -AE model)<br>Max. 30W(IR LED On)<br>Max. 21W(IR LED Off)                        |
|                           | Working Temperature / Humidity                | -30 °C -65 °C (-22 °F -149 °F)<br>90% or less   |
|                           | Protection Level                              | IP66 standard<br>TVS 4,000V lightning protection, surge protection and voltage transient protection                         |
|                           | Mounting                                      | Various mounting modes optional   |
|                           | Dimensions                                    | Φ220×353.4mm (Φ8.66"×13.91")  |
|                           | Weight (approx.)                              | 4.5kg(9.92lbs)  |
|                           | Mount Option (only suitable for outdoor dome) | Long-arm wall mount: DS-1602ZJ;Corner mount: DS-1602ZJ-corner; Pole Mount: DS-1602ZJ-pole;<br>Power box mount:DS-1602ZJ-box |

## Dimensions



## Order models

- DS-2DE7184-A, 24VAC, outdoor
- DS-2DE7184-AE, 24VAC & Hi-PoE, outdoor

## Accessories



DS-1602ZJ Long-arm Wall Mount Bracket