

DS-2DF7274-AEL

1.3 Megapixel Network Low Temperature IR Speed Dome



Key features

IR function:

- 0 Lux minimum illumination
- Up to 150m IR distance
- IR light MTBF reaching up to 30,000 hours

System function:

- High performance CMOS, up to 1280x960 resolution
- Smart pre-heating system, start at -40°C low temperature
- Support smart tracking
- $\pm 0.1^\circ$ Preset Accuracy
- ONVIF(Open Network Video Interface Forum), CGI(Common Gateway Interface), PSIA(Physical Security Interoperability Alliance), to ensure greater interoperability between different platforms and compatibility
- 3D intelligent positioning function
- IP66 standard
- 3D DNR
- Power-off memory function: restore PTZ & Lens status after reboot
- Scheduled PTZ movement
- Support 24VAC/Hi-PoE

Smart function:

- **Smart tracking modes: support manual/ panorama/ intrusion trigger/ line crossing trigger / Region entrance trigger / Region exiting**
- **Smart detection: support face detection, intrusion detection, line crossing detection, audio exception detection, region entrance, region exiting**
- Smart recording: support edge recording, **support smart search in smart NVR**
- Smart image processing: support defog, HLC, smart IR, EIS
- Smart codec: low bit rate, ROI

Camera function:

- Auto iris, auto focus, auto white balance, backlight compensation and auto day & night switch

- Min. Illumination: 0.02Lux@(F1.4,AGC ON)(Color), 0.002Lux@(F1.4,AGC ON)(B/W)
- Support privacy mask with multiple colors and mosaics on polygonal areas

PTZ function:

- 360° endless pan range and -2°-90° tilt range (-10°-90° optional)
- 160°/s Pan Preset Speed and 120°/s Tilt Preset Speed
- 0.1°-160°/s Manual Pan Speed and 0.1°-120°/s Manual Tilt Speed
- **300 presets programmable; preset image freezing capability**
- 8 patrols, up to 32 presets per patrol
- 4 patterns, with the recording time not less than 10 minutes per pattern
- Proportional zoom function
- Park action: auto call up of PTZ movement, after a defined time of inactivity
- 7 alarm inputs and 2 alarm outputs

Network function:

- H.264/MJPEG/MPEG4 video compression and the latest Davinci processing chip and platform
- Support H.264 encoding with Baseline/Main/High profile
- ROI(Region of Interest) encoding(support 24 areas with adjustable levels)
- Built-in Web server
- **Micro SD/SDHC/SDXC card local storage**
- Support up to 8 NAS storage; Edge recording(transmit the videos from SD card to the NAS after network resumed)
- HTTPS encryption and IEEE 802.1X port-based network access control
- Support three-stream; Basic and advanced video configuration; Real time video at 960P or 720P
- Multiple network protocols supported: IPv4/IPv6, HTTP, HTTPS, 802.1X, QoS, FTP, SMTP, UPnP, SNMP, DNS, DDNS, NTP, RTSP, RTP, TCP, UDP, IGMP, ICMP, DHCP, PPPoE
- 1 audio input and 1 audio output

Application Scenarios

It can be widely applied to places with no lights or weak lights requiring wide-area and high-definition monitoring, such as rivers, forests, highways, railways, airports, ports, sentries, squares, parks, scenic sites, streets, stations, large venues, outside of residential areas, etc.

Specifications

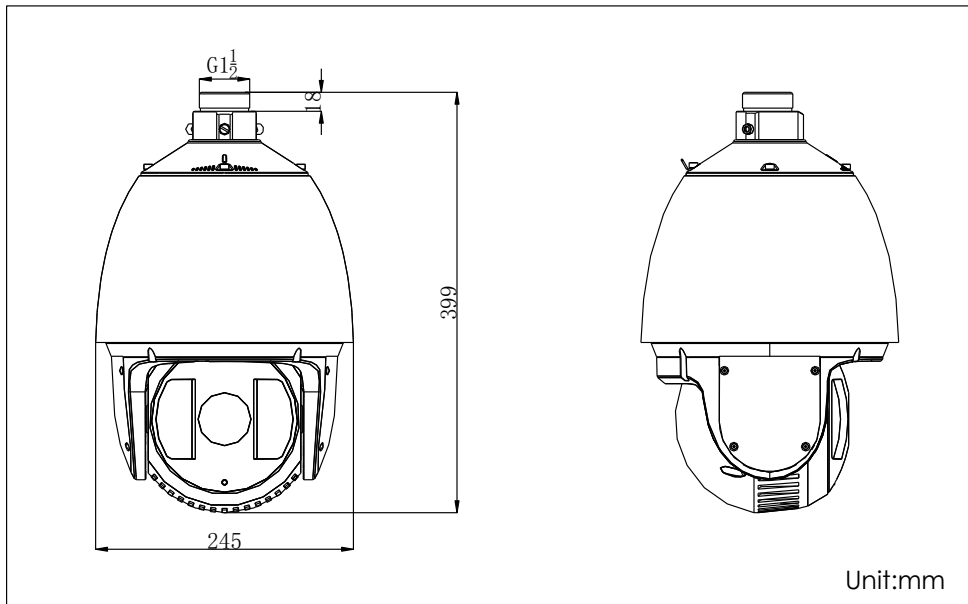
Parameter		Model
		DS-2DF7274-AEL:24VAC/Hi-PoE, Outdoor
		1.3 Megapixel Network Low Temperature IR Speed Dome
Camera	Image Sensor	1/3" Progressive Scan CMOS
	Effective Pixel	1320K pixels
	Min. Illumination	Color : 0.3 lux (F1.4,1/30 sec, 50 IRE, AGC On) B/W : 0.02 lux (F1.4,1/30 sec, 50 IRE, AGC On) 0 lux with IR Color : 0.02 lux (F1.4, 1/1 sec, 50 IRE, AGC On) B/W : 0.002 lux (F1.4, 1/1 sec, 50 IRE, AGC On) 0 lux with IR

	White Balance	Auto / Manual /ATW/Indoor/Outdoor/Daylight lamp/Sodium lamp
	AGC	Auto / Manual
	S / N Ratio	≥ 55dB
	3D DNR	Support
	EIS	Support
	HLC	Support
	Defog	Support
	BLC	Support
	Digital WDR	Support
	Shutter Time	50Hz: 1/1-1/30,000s 60Hz: 1/1-1/30,000s
	Day & Night	IR Cut Filter
	Digital Zoom	16X
	Privacy Mask	24 privacy masks programmable; optional multiple colors and mosaics
	Focus Mode	Auto / Semiautomatic / Manual
Lens	Focal Length	4.3-86.0mm, 20x
	Zoom Speed	Approx.5s(Optical Wide-Tele)
	Angle of View	54.1-3.2 degree (Wide-Tele)
	Min. Working Distance	10-1,500mm(Wide-Tele)
	Aperture Range	F1.4- F2.6
Pan and Tilt	Pan Range	360° endless
	Pan Speed	Pan Manual Speed: 0.1°-160°/s, Pan Preset Speed: 160°/s
	Tilt Range	-2°-90°(Auto Flip) -10°-90°(Auto Flip) optional
	Tilt Speed	Tilt Manual Speed: 0.1°-120°/s, Tilt Preset Speed: 120°/s
	Proportional Zoom	Rotation speed can be adjusted automatically according to zoom multiples
	Number of Preset	300
	Patrol	8 patrols, up to 32 presets per patrol
	Pattern	4 patterns, with the recording time not less than 10 minutes per pattern
	Power-off Memory	Support
	Park Action	Preset / Patrol / Pattern / Pan scan / Tilt scan / Random scan / Frame scan / Panorama scan
	PTZ Position Display	On / Off
	Preset Freezing	Support
	Scheduled Task	Auto scan / Frame scan / Random scan / Patrol / Pattern / Preset / Panorama scan / Tilt scan / Dome reboot / Dome adjust / Aux output
	Smart tracking	Manual/ Panorama/ Intrusion trigger/ Line crossing trigger / Region entrance trigger / Region exiting trigger
Infrared	IR Distance	150m
	IR Intensity	Automatically adjusted, depending on the zoom ratio
Alarm	Alarm Input	7

	Alarm Output	2 relay outputs, alarm response actions configurable
	Alarm Trigger	Face detection, Intrusion detection, Line crossing detection, Region entrance , Region exiting , Motion detection, Audio Exception Detection, Dynamic analysis, Tampering alarm, Network disconnect, IP address conflict, Storage exception
	Alarm Action	Preset, Patrol, Pattern, SD/SDHC card recording, Relay output, Notification on Client
Input/ Output	Monitor Output	1.0V[p-p] / 75Ω, NTSC (or PAL) composite, BNC
	Audio Input	1 Mic in/Line in interface Line input: 2-2.4V[p-p]; output impedance: 1KΩ, ±10%
	Audio Output	1 Audio output interface Line level, impedance: 600Ω
Network	Ethernet	10Base-T / 100Base-TX, RJ45 connector
	Max. Image Resolution	1280×960
	Main Stream	50Hz:25fps(1280×960), 25fps (1280×720) 60Hz:30fps(1280×960), 30fps (1280×720)
	Sub Stream	50Hz:25fps(704×576), 25fps (352×288), 25fps (176×144) 60Hz:30fps(704×480), 30fps (352×240), 30fps (176×120)
	Third Stream	50Hz:25fps(1280×960), 25fps (1280×720), 25fps(704×576), 25fps (352×288), 25fps (176×144) 60Hz:30fps(1280×960), 30fps (1280×720), 30fps(704×480), 30fps (352×240), 30fps (176×120)
	Image Compression	H.264/MJPEG/MPEG4, H.264 encoding with Baseline/Main/High profile
	SVC	Support
	ROI encoding	Support 24 areas with adjustable levels
	Audio Compression	G.711ulaw/G.711alaw/G.726/MP2L2/ G.722
	Protocols	IPv4/IPv6, HTTP, HTTPS, 802.1X, QoS, FTP, SMTP, UPnP, SNMP, DNS, DDNS, NTP, RTSP, RTP, TCP, UDP, IGMP, ICMP, DHCP, PPPoE
	Number of Simultaneous Live View	Up to 20
	Three Streams	Support
	Mini SD Memory Card	Manual REC / Alarm REC. Built-in Micro SD/SDHC/SDXC card Slot, up to 128GB Edge recording
	User/Host Level	Up to 32 users,3 Levels: Administrator, Operator and User
Security Measures	User authentication (ID and PW), Host authentication (MAC address) IP address filtering	
System Integration	Interface for application programming	Open-ended API, support ONVIF(Profile G) , PSIA and CGI Support Genetec
	Client	iVMS-4200
	Web Browser	IE 7+, Chrome 18 +, Firefox 5.0 +, Safari 5.02 +, support multi-language
General	Menu Language	Chinese/English
	RS-485 Protocols	HIKVISION, Pelco-P, Pelco-D, self-adaptive

Power	24 VAC: 60W max Hi-PoE: 50W max
Working Temperature / Humidity	24 VAC: -40 °C -65°C (-40°F -149°F) Hi-PoE: -30 °C -65°C (-22°F -149°F) 90% or less
Protection Level	IP66 standard TVS 4,000V lightning protection, surge protection and voltage transient protection
Mounting	Various mounting modes optional
Dimensions	Φ245×399mm (Φ9.65"×15.71")
Weight (approx.)	6Kg (13.22 lbs)
Mount Option (only suitable for outdoor dome)	Long-arm wall mount: DS-1602ZJ; Corner mount: DS-1602ZJ-corner; Pole Mount: DS-1602ZJ-pole; Power box mount: DS-1602ZJ-box

Dimensions



Order models

- DS-2DF7274-AEL, 24VAC/Hi-PoE, Low temperature, outdoor

Accessories



DS-1602ZJ Long-arm Wall Mount Bracket