

## DS-2DF7276-AW

### 1.3 Megapixel Network Wiper IR Speed Dome



## Key features

### IR function:

- 0 Lux minimum illumination
- Up to 150m IR distance
- IR light MTBF reaching up to 30, 000 hours

### System function:

- High performance CMOS, up to 1280x960 resolution
- Support smart tracking
- $\pm 0.1^\circ$  Preset Accuracy
- ONVIF(Open Network Video Interface Forum), CGI(Common Gateway Interface), PSIA(Physical Security Interoperability Alliance), to ensure greater interoperability between different platforms and compatibility
- 3D intelligent positioning function
- IP66 standard
- Support wiper
- 3D DNR
- Power-off memory function: restore PTZ & Lens status after reboot
- Scheduled PTZ movement

### Smart function:

- Smart tracking modes: support manual/ panorama/ intrusion trigger/ line crossing trigger / Region entrance trigger / Region exiting
- Smart detection: support face detection, intrusion detection, line crossing detection, audio exception detection, region entrance, region exiting
- Smart recording: support edge recording, support smart search in smart NVR
- Smart image processing: support defog, HLC, smart IR, EIS
- Smart codec: low bit rate, ROI

### Camera function:

- Auto iris, auto focus, auto white balance, backlight compensation and auto day & night switch
- Min. Illumination: 0.02Lux@(F1.6,AGC ON)(Color), 0.002Lux@(F1.6,AGC ON)(B/W)

- Support privacy mask with multiple colors and mosaics on polygonal areas

**PTZ function:**

- 360° endless pan range and -2°-90° tilt range (-10°-90° optional)
- 240°/s Pan Preset Speed and 200°/s Tilt Preset Speed
- 0.1°-160°/s Manual Pan Speed and 0.1°-120°/s Manual Tilt Speed
- 300 presets programmable; preset image freezing capability
- 8 patrols, up to 32 presets per patrol
- 4 patterns, with the recording time not less than 10 minutes per pattern
- Proportional zoom function
- Park action: auto call up of PTZ movement, after a defined time of inactivity
- 7 alarm inputs and 2 alarm outputs

**Network function:**

- H.264/MJPEG/MPEG4 video compression and the latest Davinci processing chip and platform
- Support H.264 encoding with Baseline/Main/High profile
- ROI(Region of Interest) encoding(support 24 areas with adjustable levels)
- Built-in Web server
- **Micro SD/SDHC/SDXC card local storage**
- Support up to 8 NAS storage; Edge recording(transmit the videos from SD card to the NAS after network resumed)
- HTTPS encryption and IEEE 802.1X port-based network access control
- Support three-stream; Basic and advanced video configuration; Real time video at 960P or 720P
- Multiple network protocols supported: IPv4/Ipv6, HTTP, HTTPS, 802.1X, QoS, FTP, SMTP, UPnP, SNMP, DNS, DDNS, NTP, RTSP, RTP, TCP, UDP, IGMP, ICMP, DHCP, PPPoE
- 1 audio input and 1 audio output

## Application Scenarios

It can be widely applied to places with no lights or weak lights requiring wide-area and high-definition monitoring, such as rivers, forests, highways, railways, airports, ports, sentries, squares, parks, scenic sites, streets, stations, large venues, outside of residential areas, etc.

## Specifications

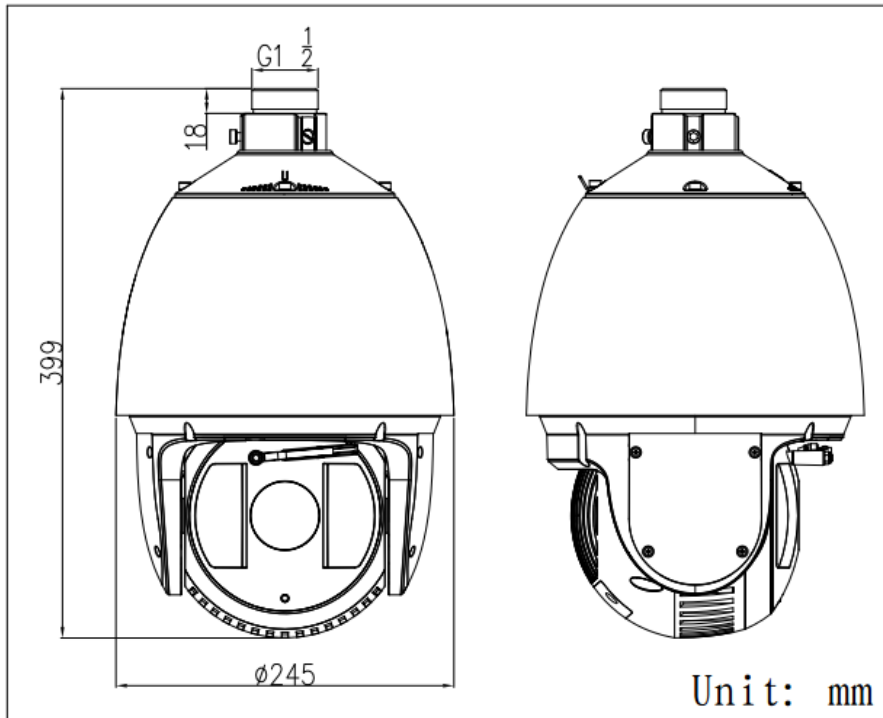
Parameter		Model
		DS-2DF7276-A:24VAC, Outdoor DS-2DF7276-D:12VDC, Outdoor
		<b>1.3 Megapixel Network IR Speed Dome</b>
Camera	Image Sensor	1/3" Progressive Scan CMOS
	Effective Pixel	1320K pixels
	Min. Illumination	Color : 0.3 lux (F1.6,1/30 sec, 50 IRE, AGC On) B/W : 0.02 lux (F1.6,1/30 sec, 50 IRE, AGC On) 0 lux with IR  Color : 0.02 lux (F1.6, 1/1 sec, 50 IRE, AGC On) B/W : 0.002 lux (F1.6, 1/1 sec, 50 IRE, AGC On) 0 lux with IR

	White Balance	Auto / Manual /ATW/Indoor/Outdoor/Daylight lamp/Sodium lamp
	AGC	Auto / Manual
	S / N Ratio	≥ 55dB
	3D DNR	Support
	EIS	Support
	HLC	Support
	Defog	Support
	BLC	Support
	Digital WDR	Support
	Shutter Time	50Hz: 1-1/30,000s 60Hz: 1-1/30,000s
	Day & Night	IR Cut Filter
	Digital Zoom	16X
	Privacy Mask	24 privacy masks programmable; optional multiple colors and mosaics
	Focus Mode	Auto / Semiautomatic / Manual
<b>Lens</b>	Focal Length	4.3-129.0mm, 30x
	Zoom Speed	Approx.3s(Optical Wide-Tele)
	Angle of View	57.4-2.8 degree (Wide-Tele)
	Min. Working Distance	10-1,500mm(Wide-Tele)
	Aperture Range	F1.6- F5.0
<b>Pan and Tilt</b>	Pan Range	360° endless
	Pan Speed	Pan Manual Speed: 0.1° -160°/s, Pan Preset Speed: 240°/s
	Tilt Range	-2°-90°(Auto Flip) -10°-90°(Auto Flip) optional
	Tilt Speed	Tilt Manual Speed: 0.1°-120°/s, Tilt Preset Speed: 200°/s
	Proportional Zoom	Rotation speed can be adjusted automatically according to zoom multiples
	Number of Preset	300
	Patrol	8 patrols, up to 32 presets per patrol
	Pattern	4 patterns, with the recording time not less than 10 minutes per pattern
	Power-off Memory	Support
	Park Action	Preset / Patrol / Pattern / Pan scan / Tilt scan / Random scan / Frame scan / Panorama scan
	PTZ Position Display	On / Off
	Preset Freezing	Support
	Scheduled Task	Auto scan / Frame scan / Random scan / Patrol / Pattern / Preset / Panorama scan / Tilt scan / Dome reboot / Dome adjust / Aux output
	Smart tracking	Manual/ Panorama/ Intrusion trigger/ Line crossing trigger / Region entrance trigger / Region exiting trigger
Wiper	Support	
<b>Infrared</b>	IR Distance	150m
	IR Intensity	Automatically adjusted, depending on the zoom ratio

<b>Alarm</b>	Alarm Input	7
	Alarm Output	2 relay outputs, alarm response actions configurable
	Alarm Trigger	Face detection, Intrusion detection, Line crossing detection, <b>Region entrance, Region exiting</b> , Motion detection, Audio Exception Detection, Dynamic analysis, Tampering alarm, Network disconnect, IP address conflict, Storage exception
	Alarm Action	Preset, Patrol, Pattern, SD/SDHC card recording, Relay output, Notification on Client
<b>Input/Output</b>	Monitor Output	1.0V[p-p] / 75Ω, NTSC (or PAL) composite, BNC
	Audio Input	1 Mic in/Line in interface Line input: 2-2.4V[p-p]; output impedance: 1KΩ, ±10%
	Audio Output	1 Audio output interface Line level, impedance: 600Ω
<b>Network</b>	Ethernet	10Base-T / 100Base-TX, RJ45 connector
	Max. Image Resolution	1280×960
	Main Stream	50Hz:25fps(1280×960), 25fps (1280×720) 60Hz:30fps(1280×960), 30fps (1280×720)
	Sub Stream	50Hz:25fps(704×576), 25fps (352×288), 25fps (176×144) 60Hz:30fps(704×480), 30fps (352×240), 30fps (176×120)
	Third Stream	50Hz:25fps(1280×960), 25fps (1280×720), 25fps(704×576), 25fps (352×288), 25fps (176×144) 60Hz:30fps(1280×960), 30fps (1280×720), 30fps(704×480), 30fps (352×240), 30fps (176×120)
	Image Compression	H.264/MJPEG/MPEG4, H.264 encoding with Baseline/Main/High profile
	SVC	Support
	ROI encoding	Support 24 areas with adjustable levels
	Audio Compression	G.711ulaw/G.711alaw/G.726/MP2L2/ <b>G.722</b>
	Protocols	IPv4/IPv6, HTTP, HTTPS, 802.1X, QoS, FTP, SMTP, UPnP, SNMP, DNS, DDNS, NTP, RTSP, RTP, TCP, UDP, IGMP, ICMP, DHCP, PPPoE
	Number of Simultaneous Live View	<b>Up to 20</b>
	Three Streams	Support
	Mini SD Memory Card	Manual REC / Alarm REC. Built-in Micro SD/SDHC/SDXC card Slot, up to 128GB Edge recording
	User/Host Level	Up to 32 users,3 Levels: Administrator, Operator and User
<b>System Integration</b>	Interface for application programming	Open-ended API, support <b>ONVIF(Profile G)</b> , PSIA and CGI <b>Support Genetec</b>
	<b>Client</b>	<b>iVMS-4200</b>
	Web Browser	IE 7+, Chrome 18 +, Firefox 5.0 +, Safari 5.02 +, support multi-language
<b>General</b>	Menu Language	Chinese/English
	RS-485 Protocols	HIKVISION, Pelco-P, Pelco-D, self-adaptive

Power	24VAC Max. 52W
Working Temperature / Humidity	-30 °C -65 °C (-22 °F -149 °F) 90% or less
Protection Level	IP66 standard TVS 4,000V lightning protection, surge protection and voltage transient protection
Mounting	Various mounting modes optional
Dimensions	Φ245×399mm (Φ9.65"×15.71")(Outdoor)
Weight (approx.)	6Kg (13.22 lbs)
Mount Option (only suitable for outdoor dome)	Long-arm wall mount: DS-1602ZJ; Corner mount: DS-1602ZJ-corner; Pole Mount: DS-1602ZJ-pole; Power box mount: DS-1602ZJ-box

### Dimensions



### Order models

- DS-2DF7276-AW, 24VAC, Wiper, outdoor

## Accessories



DS-1602ZJ Long-arm Wall Mount Bracket