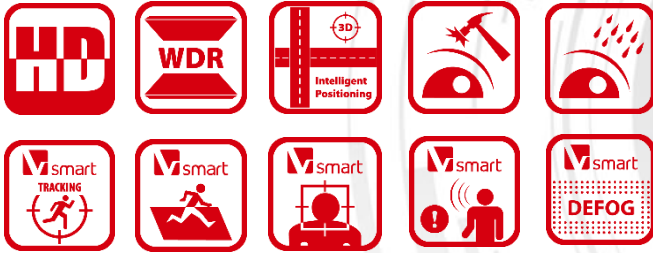


DS-2DF8236I-AEL(W) 2MP Ultra-low Light Smart PTZ Camera

DARKFIGHTER



smart PTZ

Hikvision Darkfighter series DS-2DF8236I-AEL(W) smart PTZ dome cameras are able to capture high quality colored images in dim light environment with its cutting-edge low illumination level down to 0.002Lux (color). Embedded with 1/1.9" progressive scan CMOS chip makes true WDR (120dB) and 2MP real-time resolution possible. With the 36X optical zoom Day/Night lens, the camera offers more details over expansive areas.

The Darkfighter PTZ camera also features a wide range of smart functions, including face detection, intrusion detection, line crossing detection and audio exception, benefitting users with great improvement on security efficiency, more importantly, with key events / objects being recorded for further forensic needs. These features, combined with smart tracking, which enables the camera to detect any progressively moving object and follow it within the camera's area of coverage without fault. Smart Defog and EIS (Electronic Image Stabilization) are further supported to improve image quality in challenging conditions.

Key Features

- 1/1.9" HD CMOS sensor
- Optical Defog
- 2MP(1920*1080) Full HD
- 36X Optical Zoom
- Ultra-low illumination
- 120dB True WDR
- Smart Tracking
- Smart Detection
- EIS (Electronic Image Stabilization)
- 200m IR distance
- Optional wiper(-W)
- Hi-PoE / 24VAC power supply

DS-2DF8236I-AEL(W)

2MP Ultra-low Light Smart PTZ



DARKFIGHTER

Function Description

Basic function:

- High performance CMOS, up to 1920x1080 resolution
- $\pm 0.1^\circ$ Preset Accuracy
- ONVIF(Open Network Video Interface Forum), CGI(Common Gateway Interface), PSIA(Physical Security Interoperability Alliance), to ensure greater interoperability between different platforms and compatibility
- 3D intelligent positioning function
- 3D DNR
- IP66 standard
- 7 alarm inputs and 2 alarm outputs
- Scheduled PTZ movement
- Optional wiper(-W)

Smart function:

- Smart tracking modes: Manual/ Panorama/ Intrusion trigger/ Line crossing trigger/ Region entrance trigger/ Region exiting trigger, support smart tracking when patrol between multiple scenarios
- Smart detection: support Face detection, Intrusion detection, Line crossing detection, Audio exception detection, Region entrance detection, Region exiting detection
- Smart recording: support edge recording, support dual-VCA for smart search in smart NVR
- Smart image processing: support optical defog, HLC, smart IR, EIS
- Smart codec: low bit rate, ROI

Camera function:

- Auto iris, auto focus, auto white balance, backlight compensation and auto day & night switch
- Min. Illumination: 0.002Lux@(F1.5,AGC ON)(Color), 0.0002Lux@(F1.5,AGC ON)(B/W)
- Support privacy mask with multiple colors and mosaics on polygonal areas

PTZ function:

- 360° endless pan range and $-20^\circ \sim 90^\circ$ tilt range
- 240° /s Pan Preset Speed and 200° /s Tilt Preset Speed

- $0.1^\circ \sim 160^\circ$ /s Manual Pan Speed and $0.1^\circ \sim 120^\circ$ /s Manual Tilt Speed
- 300 presets programmable; preset image freezing capability
- 8 patrols, up to 32 presets per patrol
- 4 patterns, with the recording time not less than 10 minutes per pattern
- Proportional zoom function
- Park action: auto call up of PTZ movement, after a defined time of inactivity
- Power-off memory: restore PTZ & Lens status after reboot

Network function:

- H.264/MJPEG/MPEG4 video compression
- H.264 encoding with Baseline/Main/High profile
- ROI(Region of Interest) encoding(support 24 areas with adjustable levels)
- Built-in Web server
- Onboard storage, up to 128GB
- Support up to 8 NAS storage; Edge recording(transmit the videos from SD card to the NAS after network resumed)
- HTTPS encryption and IEEE 802.1X port-based network access control
- Support trip-streams
- Multiple network protocols supported: IPv4/Ipv6, HTTP, HTTPS, 802.1X, QoS, FTP, SMTP, UPnP, SNMP, DNS, DDNS, NTP, RTSP, RTP, TCP, UDP, IGMP, ICMP, DHCP, PPPoE
- 1 audio input and 1 audio output

IR function:

- 0 Lux minimum illumination
- Up to 200m IR distance
- IR light MTBF reaching up to 30,000 hours

DS-2DF8236I-AEL(W)

2MP Ultra-low Light Smart PTZ



DARKFIGHTER

| Model | DS-2DF8236I-AEL(W) |
|-----------------------|---|
| Camera Module | |
| Image Sensor | 1/1.9" Progressive Scan CMOS |
| Min. Illumination | F1.5, 50IRE, AGC On: Color: 0.002 lux, B/W : 0.0002 lux, 0 lux with IR |
| Max. Image Resolution | 1920×1080 |
| Focal Length | 5.7-205.2, 36x |
| Digital Zoom | 16X |
| Zoom Speed | Approx.7.4s(Optical Wide-Tele) |
| Angle of View | 58.7-2.0 degree (Wide-Tele) |
| Min. Working Distance | 10-1500mm(Wide-Tele) |
| Aperture Range | F1.5~F4.5 |
| Focus Mode | Auto / Semiautomatic / Manual |
| WDR | 120dB |
| Shutter Time | 50Hz: 1~1/30,000s; 60Hz: 1~1/30,000s |
| AGC | Auto / Manual |
| White Balance | Auto / Manual /ATW/Indoor/Outdoor/Daylight lamp/Sodium lamp |
| Day & Night | IR Cut Filter |
| Privacy Mask | 24 privacy masks programmable; optional multiple colors and mosaics |
| Optical Defog | Support |
| Enhancement | 3D DNR, EIS, HLC/BLC, SVC |
| Pan and Tilt | |
| Range | Pan:360° endless; Tilt: -20°~90°(Auto Flip) |
| Speed | Pan Manual Speed: 0.1~160°/s, Pan Preset Speed: 240°/s Tilt Manual Speed: 0.1~120°/s, Tilt Preset Speed: 200°/s |
| Number of Preset | 300 |
| Patrol | 8 patrols, up to 32 presets per patrol |
| Pattern | 4 patterns, with the recording time not less than 10 minutes per pattern |
| Park Action | Preset / Patrol / Pattern / Auto scan / Tilt scan / Random scan / Frame scan / Panorama scan |
| Scheduled Task | Preset / Patrol / Pattern / Auto scan / Tilt scan / Random scan / Frame scan / Panorama scan/Dome reboot/Dome adjust/Aux output |
| Smart Features | |
| Smart tracking | Manual/ Panorama/ Intrusion trigger/ Line crossing trigger/ Region entrance trigger/ Region exiting trigger Smart tracking when patrol between multiple scenarios |
| Smart detection | Face detection, Intrusion detection, Line crossing detection, Audio exception detection, Region entrance detection, Region exiting detection |
| ROI encoding | Support 24 areas with adjustable levels |
| Infrared | |
| IR Distance | Up to 200m |
| IR Intensity | Automatically adjusted, depending on the zoom ratio |
| Alarm | |
| Alarm I/O | 7/2 |
| Alarm Trigger | Face detection, Intrusion detection, Line crossing detection, Region entrance, Region exiting, Audio exception detection, Motion detection, Dynamic analysis, Tampering alarm, Network disconnect, IP address conflict, Storage exception |
| Alarm Action | Preset, Patrol, Pattern, Micro SD/SDHC card recording, Relay output, Notification on Client, Send Email, Upload to FTP, Trigger Channel |
| Input/Output | |
| Monitor Output | 1.0V[p-p] / 75Ω, NTSC (or PAL) composite, BNC (S/N ratio≥ 55dB) |
| Audio Input | 1 Mic in/Line in interface, line input: 2-2.4V[p-p]; output impedance: 1KΩ, ±10% |
| Audio Output | 1 Audio output interface, line level, impedance: 600Ω |
| Network | |
| Ethernet | 10Base-T / 100Base-TX, RJ45 connector |
| Main Stream | 50Hz: 25fps(1920×1080, 1280×960, 1280×720); 60Hz: 30fps(1920×1080, 1280×960, 1280×720) |
| Sub Stream | 50Hz: 25fps(704×576, 352×288, 176×144); 60Hz: 30fps(704×480, 352×240, 176×120) |
| Third Stream | 50Hz: 25fps(1920×1080, 1280×960, 1280×720, 704×576, 352×288, 176×144) 60Hz: 30fps(1920×1080, 1280×960, 1280×720, 704×480, 352×240, 176×120) |
| Image Compression | H.264/MJPEG/MPEG4, H.264 encoding with Baseline/Main/High profile |

DS-2DF8236I-AEL(W) 2MP Ultra-low Light Smart PTZ



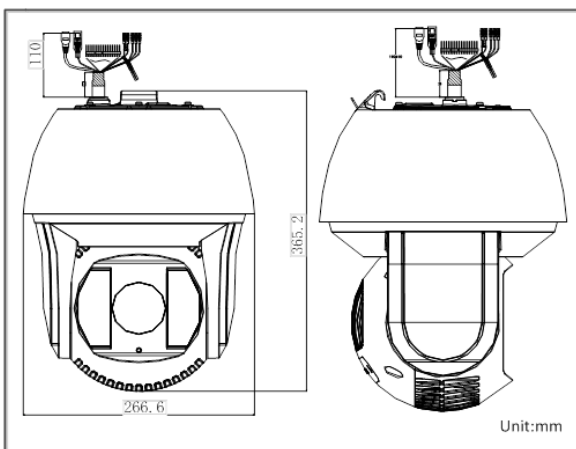
DARKFIGHTER

| | |
|------------------------|--|
| Audio Compression | G.711ulaw/G.711alaw/G.726/MP2L2/G.722/PCM |
| Protocols | IPv4/IPv6, HTTP, HTTPS, 802.1X, QoS, FTP, SMTP, UPnP, SNMP, DNS, DDNS, NTP, RTSP, RTP, TCP, UDP, IGMP, ICMP, DHCP, PPPoE |
| Simultaneous Live View | Up to 20 users |
| Mini SD Memory Card | Support up to 128GB Micro SD/SDHC/SDXC card. Support Edge recording |
| User/Host Level | Up to 32 users, 3 Levels: Administrator, Operator and User |
| Security Measures | User authentication (ID and PW); Host authentication (MAC address); IP address filtering |

System Integration

| | |
|-------------------------|---|
| Application programming | Open-ended API, support ONVIF, PSIA, CGI and Genetec |
| Web Browser | IE 7+, Chrome 18 +, Firefox 5.0 +, Safari 5.02 +, support multi-language |
| RS-485 Protocols | HIKVISION, Pelco-P, Pelco-D, self-adaptive |
| Power | High-PoE&24 VAC, Max.60W |
| Working Temperature | -40° C ~ 65° C (-40° F ~ 149° F) |
| Humidity | 90% or less |
| Protection Level | IP66, IK10, TVS 6,000V lightning protection, surge protection and voltage transient protection |
| Certification | FCC, CE, UL, RoHS, IEC/EN 61000, IEC/EN 55022, IEC/EN 55024, IEC /EN60950-1 |
| Dimensions | Φ266.6(mm)×365.2(mm) |
| Weight (approx.) | 8kg (approx.) |
| Mount Option | Long-arm wall mount: DS-1602ZJ; Corner mount: DS-1602ZJ-corner; Pole Mount: DS-1602ZJ-pole; Power box mount: DS-1602ZJ-box; Swan-neck mount: DS-1619ZJ |

Dimensions



Accessories



DS-1602ZJ
Wall Mount



DS-1602ZJ-Conner
Conner Mount



DS-1602ZJ-Pole
Pole Mount



DS-1602ZJ-Box
Box Mount



DS-1663ZJ
Ceiling mount



DS-1661ZJ
Pendant mount



DS-1662ZJ
Pendant mount



DS-1619ZJ
Swan-neck Mount



DS-1100KI
Network Keyboard



DS-1005KI
USB Joy-stick