

## DS-2XM6726FWD-I(S)(M) 2 MP IR Mobile Dome Network Camera



### smart IPC

- 1/2.8" Progressive Scan CMOS
- 1920 × 1080 @ 30fps
- 2.0/2.8/4/6/8 mm fixed lens
- Three streams
- 120dB WDR
- 3D DNR
- 4 behavior analyses, and face detection
- Audio and alarm I/O (-S)
- Smart encoding: low bit rate, low latency
- ROI
- IP67, IK08
- H.265, H.265+



## Specifications

| <b>Camera</b>               |   |
|-----------------------------|---|
| Image Sensor                | 1/2.8" Progressive Scan CMOS  |
| Min. Illumination           | Color: 0.005 Lux @ (F1.2, AGC ON), 0.009 Lux @ (F1.6, AGC ON), 0 Lux with IR  |
| Shutter Speed               | 1/3 s to 1/100,000 s  |
| Slow Shutter                | Yes   |
| Auto-Iris                   | No  |
| Day & Night                 | IR Cut Filter   |
| Digital Noise Reduction     | 3D DNR  |
| WDR                         | 120 dB  |
| Angle Adjustment            | Pan: -30° to +30°, Tilt: 0° to 75°, Rotate: 0° to 360°  |
| <b>Lens</b>                 |   |
| Focal length                | 2.0/2.8/4/6/8 mm fixed lens   |
| Aperture                    | F1.6  |
| FOV                         | 2.0 mm @ F1.6, horizontal FOV 132°, vertical FOV 77°, diagonal FOV 153°<br>2.8 mm @ F1.6, horizontal FOV 110°, vertical FOV 60°, diagonal FOV 130°<br>4 mm @ F1.6, horizontal FOV 82°, vertical FOV 45°, diagonal FOV 98°<br>6 mm @ F1.6, horizontal FOV 56°, vertical FOV 31°, diagonal FOV 65°<br>8 mm @ F1.6, horizontal FOV 40°, vertical FOV 22°, diagonal FOV 46° |
| Lens Mount                  | M12   |
| <b>IR</b>                   |   |
| IR Range                    | up to 30 m  |
| Wavelength                  | 850 nm  |
| <b>Compression Standard</b> |   |
| Video Compression           | Main stream: H.265/H.264<br>Sub-stream: H.265/H.264/MJPEG<br>Third stream: H.265/H.264  |
| H.264 Type                  | Main Profile/High Profile   |
| H.264+                      | Main stream support.  |
| H.265 Type                  | Main Profile  |
| H.265+                      | Main stream support.  |
| Video Bit Rate              | 32 Kbps to 16 Mbps  |
| Audio Compression           | G.711/G.722.1/G.726/MP2L2/PCM   |
| Audio Bit Rate              | 64Kbps(G.711)/16Kbps(G.722.1)/16Kbps(G.726)/32-192Kbps(MP2L2)   |
| <b>Smart Feature-set</b>    |   |
| Behavior Analysis           | Line crossing detection, intrusion detection, unattended baggage detection, object removal detection  |
| Exception Detection         | No  |
| Face Detection              | Yes   |
| Region of Interest          | 1 fixed region for main stream and sub stream   |
| <b>Image</b>                |   |
| Max. Resolution             | 1920 × 1080   |
| Main Stream                 | H.265/H.264<br>50Hz: 25fps (1920 × 1080, 1280 × 960, 1280 × 720)<br>60Hz: 30fps (1920 × 1080, 1280 × 960, 1280 × 720)   |
| Sub Stream                  | H.265/H.264/MJPEG<br>50Hz: 25fps (640 × 480, 640 × 360, 320 × 240)<br>60Hz: 30fps (640 × 480, 640 × 360, 320 × 240)   |

|                               |   |  |
|-------------------------------|---|--|
| Third Stream                  | H.265/H.264   | 50Hz: 25fps (1280 × 720, 640 × 360, 352 × 288)<br>60Hz: 30fps (1280 × 720, 640 × 360, 352 × 240) |
| Image Enhancement             | BLC, 3D DNR   |  |
| Image Setting                 | Rotate mode, saturation, brightness, contrast, sharpness adjustable by client software or web browser   |  |
| Target Cropping               | No  |  |
| SVC                           | H.264 and H.265 encoding  |  |
| Day/Night Switch              | Day/Night/Auto/Schedule/Triggered by Alarm In (-S)  |  |
| Picture Overlay               | No  |  |
| <b>Network</b>                |   |  |
| Network Storage               | Micro SD/SDHC/SDXC card (128G), local storage and NAS (NFS,SMB/CIFS), ANR   |  |
| Alarm Trigger                 | Motion detection, video tampering alarm, network disconnected, IP address conflict, illegal login, HDD full, HDD error                              |  |
| Protocols                     | TCP/IP, ICMP, HTTP, HTTPS, FTP, DHCP, DNS, DDNS, RTP, RTSP, RTCP, PPPoE, NTP, UPnP, SMTP, SNMP, IGMP, 802.1X, QoS, IPv6, UDP, Bonjour               |  |
| General Function              | One-key reset, anti-flicker, three streams, heartbeat, password protection, privacy mask, watermark, IP address filter                              |  |
| Firmware Version              | V5.5.4  |  |
| API                           | ONVIF (PROFILE S, PROFILE G), ISAPI   |  |
| Simultaneous Live View        | Up to 6 channels  |  |
| User/Host                     | Up to 32 users<br>3 levels: Administrator, Operator and User  |  |
| Client                        | iVMS-4200, iVMS-4500, iVMS-5200, Hik-Connect  |  |
| Web Browser                   | IE8+, Chrome31.0-44, Firefox30.0-51, Safari8.0+   |  |
| <b>Interface</b>              |   |  |
| Audio (-S)                    | 1 input (line in), 1 output (line out), mono  |  |
| Alarm (-S)                    | 1 input, 1 output (up to 12VDC, 30mA)   |  |
| Communication Interface       | 1 RJ45 10M/100M Ethernet port   |  |
| On-board storage              | Built-in micro SD/SDHC/SDXC slot, up to 128 GB  |  |
| Reset Button                  | Yes   |  |
| <b>Audio (-S)</b>             |   |  |
| Environment Noise Filtering   | Yes   |  |
| Audio Sampling Rate           | 8kHz/16kHz/32kHz/44.1kHz/48kHz  |  |
| <b>General</b>                |   |  |
| Operating Conditions          | -30 °C to 60 °C (-22 °F to 140 °F), humidity less than 95% or less (non-condensing)   |  |
| Power Supply                  | -I, -IS: 12 VDC ± 25%, 5.5 mm coaxial power plug,<br>-IM: 12 VDC ± 25%, Molex plug for DC input<br>PoE (802.3af, class 3)                           |  |
| Power Consumption and Current | 12 V DC ± 25%, 0.5 A, max. 6 W<br>PoE: (802.3af,36V-57V), 0.2A to 0.13A, Max:7.5W   |  |
| Protection Level              | IP67, IK08  |  |
| Material                      | Metal   |  |
| Dimensions                    | Camera: Φ 110 mm × 57.4 mm (4.3" × 2.3"), with base: Φ 110 mm × 69.4 mm (4.3" × 2.7")<br>With package: 60 mm × 100 mm × 250 mm (2.4" × 4.0" × 9.8") |  |
| Weight                        | Camera: Approx. 580 g (1.3 lb.)<br>With package: 860 g (1.9 lb)   |  |

## Available Model

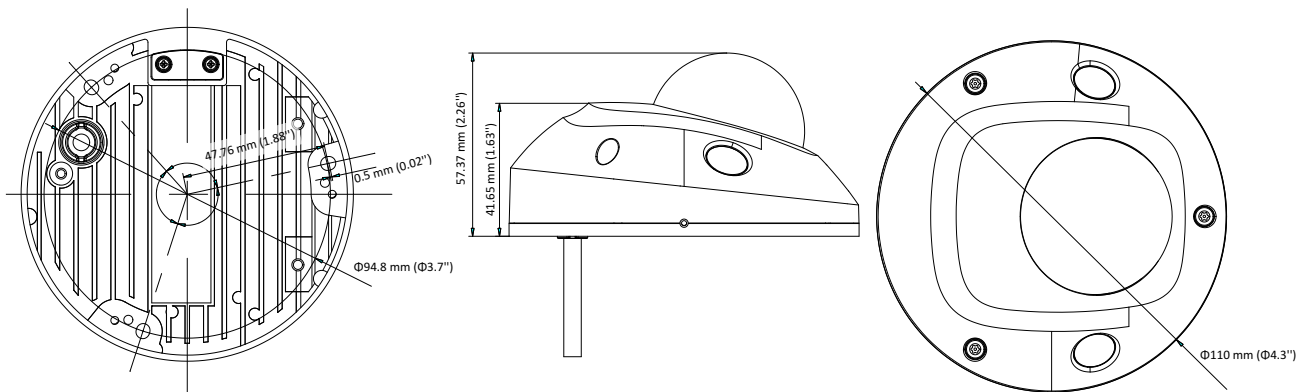
DS-2XM6726FWD-I  
 DS-2XM6726FWD-IS  
 DS-2XM6726FWD-IM

*-I: with Coaxial power plug (  $\varnothing$  5.5 mm) for DC input, 1 RJ45 10M/100M Ethernet port*

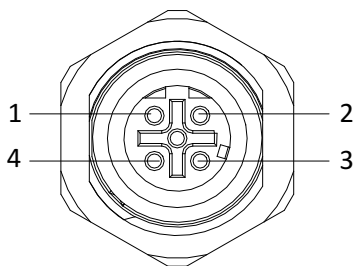
*-IS: with Coaxial power plug (  $\varnothing$  5.5 mm) for DC input, 1 RJ45 10M/100M Ethernet port, 1 audio input (line in), 1 audio output, 1 alarm input and 1 alarm output*

*-IM: with 1 M12 aviation plug, 1 Molex plug for DC input*

## Dimension

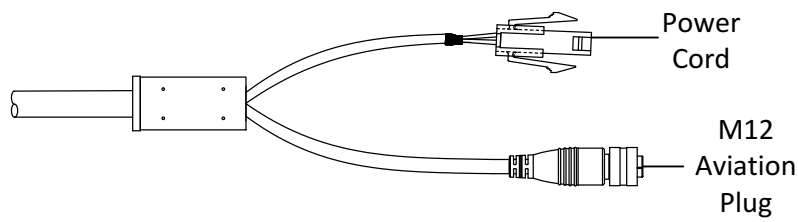


## Interface Description

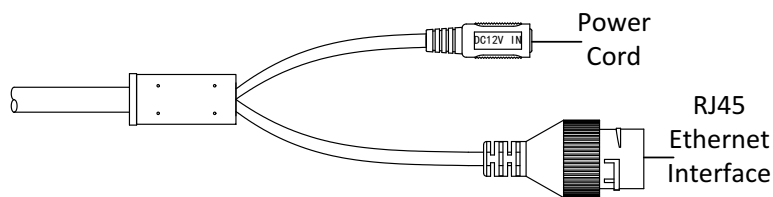


|            | M12 Wire | R-J45 Wire |
|------------|----------|------------|
| <b>TX+</b> | 1        | 1          |
| <b>TX-</b> | 3        | 2          |
| <b>RX+</b> | 2        | 3          |
| <b>RX-</b> | 4        | 6          |

M12 Interface Description



DS-2XM6726FWD-IM Cable Interface Description



DS-2XM6726FWD-I Cable Interface Description

Distributed by



**HIKVISION**

**Headquarters**

No.555 Qianmo Road, Binjiang District,  
Hangzhou 310051, China  
T +86-571-8807-5998  
overseasbusiness@hikvision.com

**Hikvision USA**  
T +1-909-895-0400  
sales.usa@hikvision.com

**Hikvision Europe**  
T +31-23-55-42-770  
info.eu@hikvision.com

**Hikvision Middle East**  
T +971-4-8816086  
salesme@hikvision.com

**Hikvision Russia**  
T +7-495-669-67-99  
saleru@hikvision.com

**Hikvision India**  
T +91-22-28469900  
sales@pramahikvision.com

**Hikvision Italy**  
T +39-0438-6902  
info.it@hikvision.com

**Hikvision France**  
T +33(0)1-85-330-450  
info.fr@hikvision.com

**Hikvision Spain**  
T +34-91-737-16-55  
info.es@hikvision.com

**Hikvision Poland**  
T +48-22-460-01-50  
poland@hikvision.com

**Hikvision UK**  
T +01628-902140  
support.uk@hikvision.com

**Hikvision Singapore**  
T +65-6684-4718  
sg@hikvision.com

**Hikvision Oceania**  
T +61-2-8599-4233  
salesau@hikvision.com

**Hikvision Canada**  
T +1-909-895-0400  
sales.usa@hikvision.com

**Hikvision Korea**  
T +82-31-731-8841  
sales.korea@hikvision.com

**Hikvision Brazil**  
T +55 11 3318-0050  
Latam.support@hikvision.com

**Hikvision Africa**  
T +27 (10) 0351172  
sale.africa@hikvision.com

**Hikvision Hong Kong**  
T +852-2151-1761