

DS-3E0105P-E/M PoE Switch



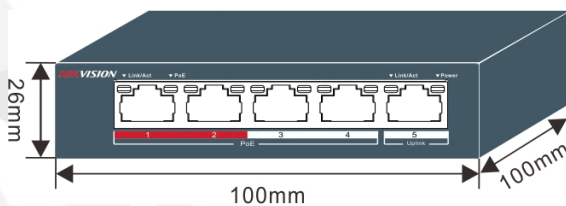
Overview

DS-3E0105P-E/M PoE switch provides five 100 Mbps Ethernet ports, and ports 1 to 4 of the switch can identify and supply power to PoE powered devices compliant with IEEE 802.3af standard automatically via Ethernet cables. The maximum output PoE power of a single port is 15.4 W and the entire switch is 35 W. Additionally, the switch is also equipped with plug and play function, making it the perfect choice for hotels, schools, factory dormitories and SMEs to have cost-effective PoE network.

Model

Model	Description
DS-3E0105P-E/M	100 Mbps PoE Switch

Dimension

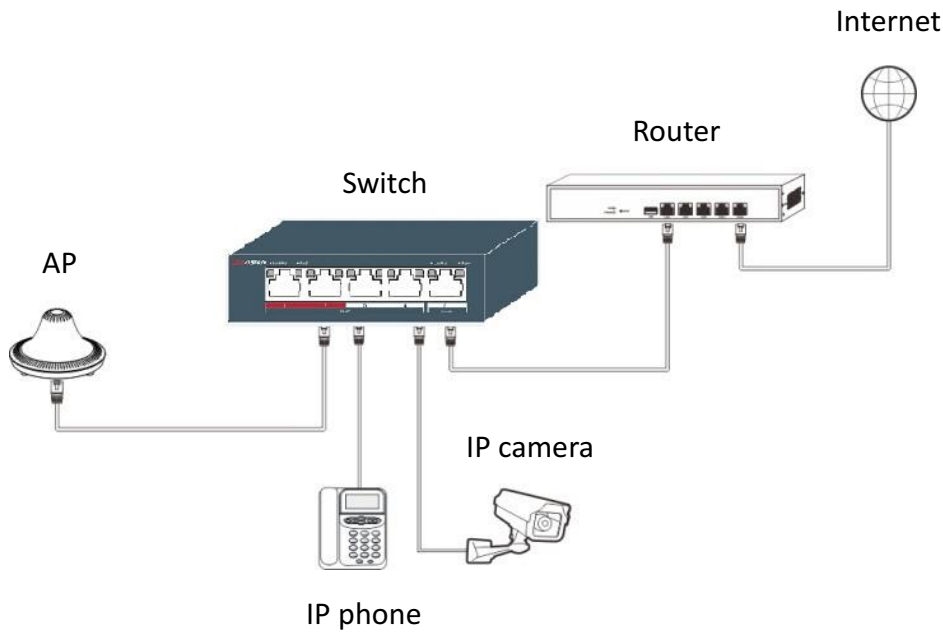


Features

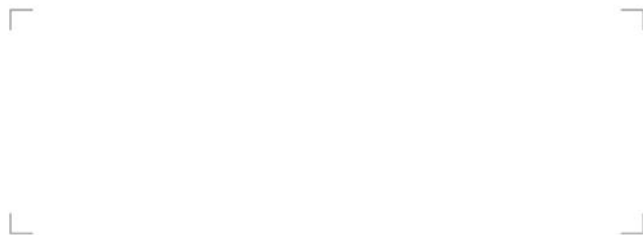
- Ports 1 to 4 support IEEE 802.3af standard.
- When the switch is in **EXTEND** mode and the data rate is 10 Mbps, ports 1 to 4 support long-distance data transmission up to 250 meters.
- All ports support 6 kV lightning protection.
- This switch supports Auto MDI/MDIX.
- This switch supports store-and-forward.
- This switch supports MAC address auto learning and auto aging.
- This switch supports smart cache optimization.
- This switch supports desktop / wall mounting.



Application Scenario



Distributed by



Headquarters

No.555 Qianmo Road, Binjiang District,
Hangzhou 310051, China
T +86-571-8807-5998
overseasbusiness@hikvision.com

Hikvision USA
T +1-909-895-0400
sales.usa@hikvision.com

Hikvision Italy
T +39-0438-6902
info.it@hikvision.com

Hikvision Singapore
T +65-6684-4718
sg@hikvision.com

Hikvision Europe
T +31-23-5542770
saleseuro@hikvision.com

Hikvision France
T +33(0)1-85-330-444
info.fr@hikvision.com

Hikvision Oceania
T +61-2-8599-4233
salesau@hikvision.com

Hikvision Middle East
T +971-4-8816086
salesme@hikvision.com

Hikvision Spain
T +34-91-737-16-55
info.es@hikvision.com

Hikvision Hong Kong
T +852-2151-1761

Hikvision Russia
T +7-495-669-67-99
saleru@hikvision.com

Hikvision Poland
T +48-22-460-01-50
poland@hikvision.com

Hikvision Canada
T +1-909-895-0400
sales.usa@hikvision.com

Hikvision India
T +91-22-28469900
sales@pramahikvision.com

Hikvision UK
T +44-1628-9021-4
support.uk@hikvision.com

Specifications

Model	DS-3E0105P-E/M
Port	
Port amount	5
Port type	RJ45, 10/100 Base-T(X)
Standard	IEEE 802.3, IEEE 802.3u, IEEE 802.3x
Forwarding method	Store-and-forward
Flow control	Back-pressure flow control in IEEE 802.3x full duplex
Priority queue	2
MAC address table	1 K
QoS	Supported on ports 1 and 2.
Switching capacity	1 Gbps
Packet forwarding rate	0.744 Mpps
Physical appearance/structure	
Appearance	0.6 mm sheet of galvanized metal without electric fan
Weight	0.141 kg
Dimension	100 mm × 100 mm × 26 mm
Mounting type	Desktop / wall mounting
Environment	
Operating temperature	(0 - 40) °C
Storage temperature	(-40 - 70) °C
Operating humidity	(10 – 90) % RH, non-condensing
Storage humidity	(5 – 90) % RH, non-condensing
Power supply	
Power input	48 V DC, 0.8 A
Reverse connection protection	Supported
Power consumption	< 38 W
Other parameters	
LED indicator	Link/Act LED indicators, PoE LED indicator, Power LED indicator

Distributed by

Headquarters

No.555 Qianmo Road, Binjiang District,
Hangzhou 310051, China
T +86-571-8807-5998
overseasbusiness@hikvision.com

Hikvision USA
T +1-909-895-0400
sales.usa@hikvision.com

Hikvision Italy
T +39-0438-6902
info.it@hikvision.com

Hikvision Singapore
T +65-6684-4718
sg@hikvision.com

Hikvision Europe
T +31-23-5542770
saleseuro@hikvision.com

Hikvision France
T +33(0)1-85-330-444
info.fr@hikvision.com

Hikvision Oceania
T +61-2-8599-4233
salesau@hikvision.com

Hikvision Middle East
T +971-4-8816086
salesme@hikvision.com

Hikvision Spain
T +34-91-737-16-55
info.es@hikvision.com

Hikvision Hong Kong
T +852-2151-1761

Hikvision Russia
T +7-495-669-67-99
saleru@hikvision.com

Hikvision Poland
T +48-22-460-01-50
poland@hikvision.com

Hikvision Canada
T +1-909-895-0400
sales.usa@hikvision.com

Hikvision India
T +91-22-28469900
sales@pramahikvision.com

Hikvision UK
T +44-1628-9021-4
support.uk@hikvision.com