

Sarix® IBP Series Indoor and Environmental Bullets

UP TO 5 MEGAPIXEL, H.264, D/N IP BULLETS WITH INTEGRATED LENS

Product Features

- Up to 5 megapixel (MPx) resolution
- Up to 30 images per second (ips) at 3 MPx
- Autofocus motorized remote zoom lens
- Operating temperature up to 55°C (131°F)
- Up to 64 GB edge storage with Micro SD card
- Motion detection and camera sabotage detection
- Power over Ethernet (PoE) Class 3, 24 VAC ± 10%
- Pelco Smart Compression Technology
- Vandal resistant to IK10, IP66 ingress protection
- Compatible with Pelco and third-party video systems
- ONVIF Profile S, Profile G, and Profile Q conformant
- Full 3-year warranty and support



Sarix Professional Range

Powerful, versatile, and affordable, the **Sarix® Professional (P)** range cameras pack the most popular features and functionality of Sarix technology into a wide range of indoor and outdoor options, including bullet cameras and mini domes. There are also indoor-only options such as a vandal resistant wedge and micro dome. Mix and match the performance options and form factor you need for almost any lighting condition, environment, and application.

Camera

Within the **Sarix Professional** range, the **Sarix IBP Series** indoor and outdoor bullet cameras feature a remote zoom lens for wide angle or long range surveillance needs. Autofocus capability ensures the camera can be automatically refocused when needed. Additionally, the **Sarix IBP Series** features advanced color science, a mechanical IR cut filter, and advanced integrated adaptive IR illumination (environmental models) for increased sensitivity in low-light installations.

Video

Sarix Professional range cameras support up to two simultaneous video streams and a third service stream. The two streams can be compressed with efficient H.264 High or Main profiles or MJPEG formats. The streams can be configured to a variety of frame rates and bit rates to optimize image quality with bandwidth and storage efficiency.

Edge Storage

Sarix Professional range bullet cameras feature onboard edge storage with a micro SD card. Video clips of varying lengths can be stored to the card upon alarm, or video can be written continuously to the SD card in the case of network outage. Video can be retrieved from the card through the FTP protocol or by using an ONVIF Profile G enabled client.

Sarix Professional range cameras feature simple motion detection algorithms allowing the camera to record or send an alarm when there is motion detected in a selected zone or with the entire scene. A camera sabotage alarm is triggered if the lens is obstructed or when the camera is repositioned.

Open and Integrated

Sarix Professional range cameras seamlessly connect to Pelco video management systems such as VideoXpert™, Endura® version 2.0 (or later), and Digital Sentry® version 7.3 (or later). **Sarix Professional** range cameras integrate with major third-party systems through the open Pelco API or the ONVIF Profile S, Profile G, and Profile Q standards.

Standard Web Interface

Pelco cameras use a standard Web browser interface for easy remote setup and administration. Controls are optimized for convenient one-step camera configuration for features including color, exposure, flicker control, and streaming.

TECHNICAL SPECIFICATIONS

CAMERA

Imaging Device

MPx	Sensor	Maximum Resolution
5 MPx	1/1.8-inch	2592 x 1944 (5.0 MPx)
3 MPx	1/2.8-inch	2048 x 1536 (3.0 MPx)
2 MPx	1/2.8-inch	1920 x 1080 (2.0 MPx)
1 MPx	1/3-inch	1280 x 960 (1.2 MPx)

Imager Type

CMOS

Wide Dynamic Range

75 dB, 90 dB (Backlight Compensation On)

Imager Readout

Progressive scan

White Balance Range

2,000° to 10,000°K

Electronic Shutter Range

1/5 ~ 1/30,000 sec (1 MPx and 5 MPx)

3D Digital Noise Reduction

Yes (ON/OFF selectable)

1/5 ~ 1/25,000 sec (2 MPx)

Signal to Noise Ratio

≥50 dB

1/5 ~ 1/45,000 sec (3 MPx)

Minimum Illumination

MPx	Sensitivity	Color		Mono - with IR Illumination	
		33 ms	200 ms	33 ms	200 ms
5 MPx	f/1.2	0.30 lux	0.02 lux	0.00 lux	0.00 lux
3 MPx	f/1.2	0.25 lux	0.02 lux	0.00 lux	0.00 lux
2 MPx	f/1.2	0.25 lux	0.02 lux	0.00 lux	0.00 lux
1 MPx	f/1.4	0.05 lux	0.02 lux	0.00 lux	0.00 lux

Mechanical IR Cut Filter

Yes (AUTO/MANUAL selectable), with different set points on lux

LENS

IR Illumination

Adaptive IR up to 35 m; auto ON in night mode, or OFF

Lens type

Built-in; varifocal

Focal Length

f/1.4, 3 ~ 10.5 mm, 9 ~ 22 mm, or 12 ~ 40 mm

Focus

Autofocus, motorized

Zoom

Remote

Auto Iris Type

DC drive lens

Field of View*

Lens	Angle of View	1 MPx	2 MPx	3 MPx	5 MPx
3 to 10.5 mm	Diagonal	112°~ 33°	120°~ 35°	115°~ 34°	116°~ 46°
	Horizontal	86°~ 27°	102°~ 31°	98°~ 30°	90°~ 37°
	Vertical	63°~ 19°	54°~ 17°	52°~ 16°	67°~ 27°
9 to 22 mm	Diagonal	38.7°~ 16°	41.4°~ 17.1°	41.5°~ 17.1°	N/A
	Horizontal	30.6°~ 12.8°	35.8°~ 14.9°	32.7°~ 13.7°	N/A
	Vertical	22.7°~ 9.6°	19.7°~ 8.4°	24.3°~ 10.3°	N/A
12 to 40 mm	Diagonal	28.4°~ 10°	30.4°~ 10.3°	30°~ 10°	N/A
	Horizontal	22.6°~ 8°	26°~ 9°	23.8°~ 8.3°	N/A
	Vertical	16.7°~ 5.9°	14.8°~ 5.2°	17.8°~ 6.2°	N/A

*Field of view may vary with changes in resolution settings.

TECHNICAL SPECIFICATIONS

VIDEO

Video Streams Up to 2 simultaneous streams, plus service stream; the secondary stream is variable based on the setup of the primary stream
Text Overlay Camera name, time, date, and customizable text with multiple languages supported

Available Resolutions

MPx	Width	Height	Aspect Ratio
5.0	2592	1944	4:3
3.1	2048	1536	4:3
2.1	1920	1080	16:9
1.2	1280	960	4:3
0.9	1280	720	16:9
0.5	800	600	4:3
0.3	640	480	4:3
0.1	320	240	4:3
0.1	320	180	16:9

Frame Rates

MPx	Images per Second (ips)
5 MPx	15, 12.5, 10, 7.5, 5, 3, 2, 1
3 MPx	30, 25, 20, 16.67, 15, 12.5, 10, 7.5, 5, 3, 2, 1
2 MPx	30, 25, 20, 16.67, 15, 12.5, 10, 7.5, 5, 3, 2, 1
1 MPx	30, 25, 20, 16.67, 15, 12.5, 10, 7.5, 5, 3, 2, 1

Note: Available frame rates are selectable for each independent stream depending on the coding, resolution, and stream configuration.

Video Encoding H.264 High, Main, and Baseline profiles; and MJPEG
Bit Rate Control Constant bit rate (CBR), constrained variable bit rate (CVBR) with configurable maximum value
Corridor Mode Electronic image flip and mirror: 180°, 90° and 270° (H.264 only)
Service Stream 640 x 480 or 640 x 352; 2 ips, JPEG
Window Blanking 4 configurable windows

PELCO'S SMART COMPRESSION TECHNOLOGY

Pelco's Smart Compression Technology lowers bandwidth and storage requirements by up to 70%. Our technology allows the user to make intelligent decisions regarding storage savings and image quality.

Pelco's Smart Compression Technology dynamically analyzes motion occurring within live video in real-time, to intelligently compress the information you don't need, while retaining details with clear quality in the areas that are important in the scene. By enabling Dynamic GOP, an added feature of Smart Compression, the number of I-frames are automatically reduced in scenes with low motion. Based on the complexity of scenes and motion occurring, such as a store room that has limited entry and exit, up to 70% bandwidth savings can be achieved.

AUDIO

Streaming Bi-directional
Input Line in/terminal block
Encoding G.711 A-law/G.711 U-law

TECHNICAL SPECIFICATIONS

GENERAL

Construction	Die cast aluminum, cylindrical	
Ingress Protection	IP66	
	Type 4X	
Vandal Resistance	IK10 (20J impact) per IEC 62262	
Finish	RAL 7047 (environmental)	
	RAL 9003 (indoor)	
	Indoor	Outdoor
Unit Weight	2.0 kg (4.42 lb)	2.82 kg (6.21 lb)
Shipping Weight	2.09 kg (4.6 lb)	2.98 kg (6.57 lb)

ELECTRICAL

Network Port	RJ-45 connector for 100Base-TX	
Power Input	PoE (IEEE 802.3af, Class 3); 24 VAC± 10%, 18 to 32 VAC range, 12 VDC± 10%	
Power Consumption		
Indoor	< 6 W	
Outdoor	< 11.50 W	
Local Storage	Up to 64 GB on Micro SDHC or SDXC card	
Alarm		
Input	1	
Output	1; PhotoMOS™ relay (30 V, 1 A)	
Triggers	Unsupervised mode that detects switch closures (N.O. and N.C.)	

ENVIRONMENTAL

Operating Temperature		
Outdoor	-40° to 55°C (-40° to 131°F)*	
Indoor	-10° to 55°C (14° to 131°F)	
Storage Temperature	-40° to 60°C (-40° to 140°F)	
Operating Humidity	15% to 85%, RH condensing	
Storage Humidity	5% to 90%, RH noncondensing	

*Thermostatically controlled heating provides ramped heating control between the initial heater on at 15°C (59°F) and full heating mode at -40°C (-40°F).

NETWORK

Supported Protocols	TCP/IP, UDP/IP (Unicast, Multicast IGMP), ICMP, IPv4, IPv6, SNMP v2c/v3, HTTP, HTTPS, SSL, SSH, SMTP, FTP, RTSP, UPnP, DNS, NTP, RTP, RTCP, LDAP (client), QoS, GB28181
Users	
Unicast	1 administrator, up to 4 viewers
Multicast	Unlimited users H.264
Security Access	Multiple user access levels with password protection

INTEGRATION

Video Management	VideoXpert; Endura version 2.0 (or later); Digital Sentry 7.3 (or later); Third-party VMS through Pelco API 1.0 and ONVIF Profile S, Profile G, and Profile Q
Mobile Application	Pelco Mobile
Analytics	Simple motion detection and camera sabotage detection
Local Storage	Capture 1-, 5-, or 10-second video clips on camera sabotage, motion detection, or alarm input; record video continuously in the case of network outage with option to overwrite; access video through FTP protocol and ONVIF Profile G
Camera Discovery and Firmware	Discover cameras and upgrade firmware using the Pelco Device Utility 2 version 2.2 or later; cameras discovered and firmware upgrade through Endura Utilities
Web Browser Support	Microsoft® Internet Explorer® 9.0, Apple® Safari® 7.0.6, Mozilla® Firefox® 31.0, Google® Chrome™ 37.0.2062.124 m and later
Multilingual User Interface	English, French, German, Italian, Portuguese, Arabic, Russian, Spanish, Turkish, Korean, Simplified Chinese

CERTIFICATIONS*


- CE - EN 55022 (Class A), EN 50130-4, EN 60950-1
- FCC (Class A) - 47 CFR Part 15
- UL and cUL Listed - UL 60950-1, CAN/CSA-C22.2 No. 60950-1-07
- UL/IEC 60950-22
- ICES-003 (Class A)
- RCM
- KC
- Type 4X and IP66 rated enclosure (outdoor models) when installed properly
- ONVIF Profile S, Profile G, and Profile Q conformant

*At the time of this publication, certifications are pending. Consult the factory or www.pelco.com for the current status of certifications.

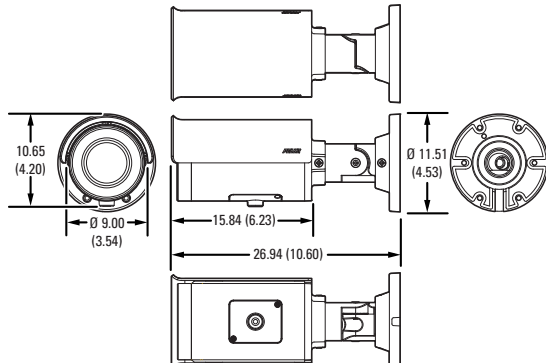
TECHNICAL SPECIFICATIONS

MODELS

Resolution	Lens	Model Number	Description
1 MPx	3 to 10.5 mm	IBP121-1I	Sarix Pro Indoor Bullet
1 MPx	3 to 10.5 mm	IBP121-1R	Sarix Pro IR Environmental Bullet
1 MPx	9 to 22 mm	IBP122-1I	Sarix Pro Indoor Bullet
1 MPx	9 to 22 mm	IBP122-1R	Sarix Pro IR Environmental Bullet
1 MPx	12 to 40 mm	IBP124-1I	Sarix Pro Indoor Bullet
1 MPx	12 to 40 mm	IBP124-1R	Sarix Pro IR Environmental Bullet
2 MPx	3 to 10.5 mm	IBP221-1I	Sarix Pro Indoor Bullet
2 MPx	3 to 10.5 mm	IBP221-1R	Sarix Pro IR Environment Bullet
2 MPx	9 to 22 mm	IBP222-1I	Sarix Pro Indoor Bullet
2 MPx	9 to 22 mm	IBP222-1R	Sarix Pro IR Environmental Bullet
2 MPx	12 to 40 mm	IBP224-1I	Sarix Pro Indoor Bullet
2 MPx	12 to 40 mm	IBP224-1R	Sarix Pro IR Environmental Bullet
3 MPx	3 to 10.5 mm	IBP321-1I	Sarix Pro Indoor Bullet
3 MPx	3 to 10.5 mm	IBP321-1R	Sarix Pro IR Environmental Bullet
3 MPx	9 to 22 mm	IBP322-1I	Sarix Pro Indoor Bullet
3 MPx	9 to 22 mm	IBP322-1R	Sarix Pro IR Environment Bullet
3 MPx	12 to 40 mm	IBP324-1I	Sarix Pro Indoor Bullet
3 MPx	12 to 40 mm	IBP324-1R	Sarix Pro IR Environmental Bullet
5 MPx	3 to 10.5 mm	IBP521-1I	Sarix Pro Indoor Bullet
5 MPx	3 to 10.5 mm	IBP521-1R	Sarix Pro IR Environmental Bullet

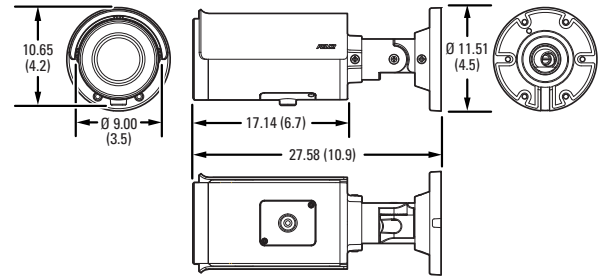
 VALUES IN PARENTHESES ARE INCHES; ALL OTHERS ARE CENTIMETERS

SARIX PRO ENVIRONMENTAL BULLET 3 TO 10.5 MM AND 9 TO 22 MM LENS



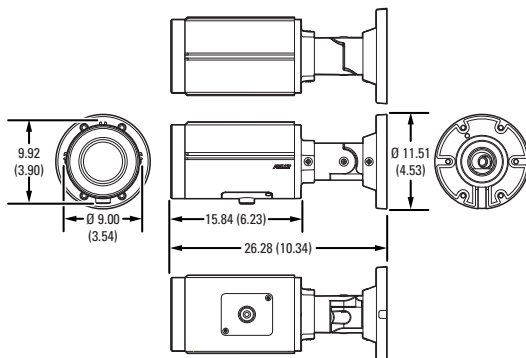
Indoor color: RAL 9003; Outdoor color: RAL 7047

SARIX PRO ENVIRONMENTAL BULLET 12 TO 40 MM LENS



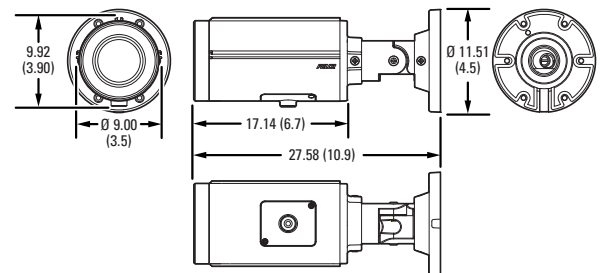
Indoor color: RAL 9003; Outdoor color: RAL 7047

SARIX PRO INDOOR BULLET 3 TO 10.5 MM AND 9 TO 22 MM LENS



Indoor color: RAL 9003; Outdoor color: RAL 7047

SARIX PRO INDOOR BULLET 12 TO 40 MM LENS




Indoor color: RAL 9003; Outdoor color: RAL 7047

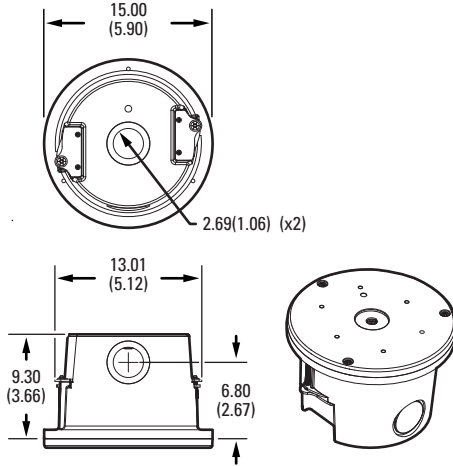
TECHNICAL SPECIFICATIONS

OPTIONAL ACCESSORIES

- IBP2BBAP-EI Environmental in-ceiling back box and adapter plate
- IBP2BBAP-ES Environmental surface mount back box and adapter plate
- IBP2-PLMT Environmental pole mount

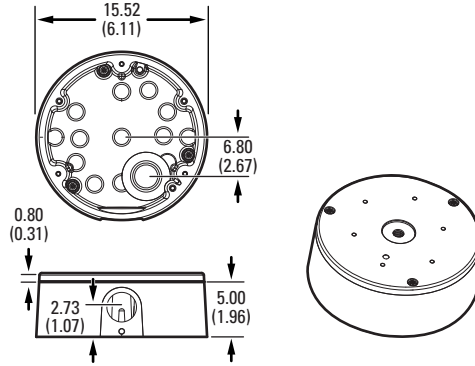
 VALUES IN PARENTHESES ARE INCHES; ALL OTHERS ARE CENTIMETERS

IBP2BBAP-EI ENVIRONMENTAL IN-CEILING MOUNT BACK BOX AND ADAPTER PLATE



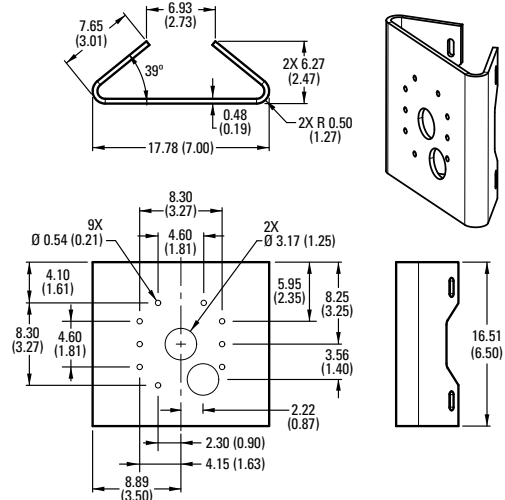
Indoor color: RAL 9003; Outdoor color: RAL 7047

IBP2BBAP-ES ENVIRONMENTAL SURFACE MOUNT BACK BOX AND ADAPTER PLATE



Indoor color: RAL 9003; Outdoor color: RAL 7047

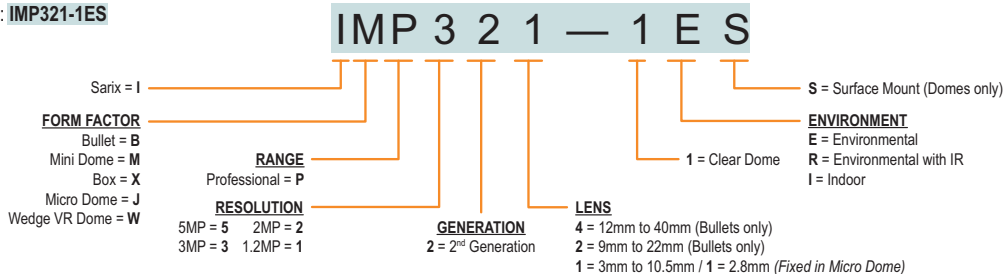
IBP2-PLMT ENVIRONMENTAL POLE MOUNT



Indoor color: RAL 9003; Outdoor color: RAL 7047

HOW TO ORDER

Example: **IMP321-1ES**



Pelco by Schneider Electric

625 W. Alluvial, Fresno, California 93711 United States
USA & Canada Tel (800) 289-9100 Fax (800) 289-9150
International Tel +1 (559) 292-1981 Fax +1 (559) 348-1120
www.pelco.com www.pelco.com/community

Pelco, the Pelco logo, and other trademarks associated with Pelco products referred to in this publication are trademarks of Pelco, Inc. or its affiliates. ONVIF and the ONVIF logo are trademarks of ONVIF Inc. All other product names and services are the property of their respective companies. Product specifications and availability are subject to change without notice. ©Copyright 2017, Pelco, Inc. All rights reserved.