

# Unparalleled Sharpness Varifocal lens



1/3" CS-mount Varifocal Lens

## SLA-550DV

- F1.3 DC type auto iris
- Varifocal 5 ~ 50mm / 0.2" ~ 1.97"

1/3" CS-mount Varifocal Lens

## SLA-2812DN

- F1.3 DC type auto iris
- Varifocal 2.8 ~ 12mm / 0.11" ~ 0.47"

# 1/3" CS-mount Varifocal Lens

# SLA-550DV/2812DN



SLA-550DV

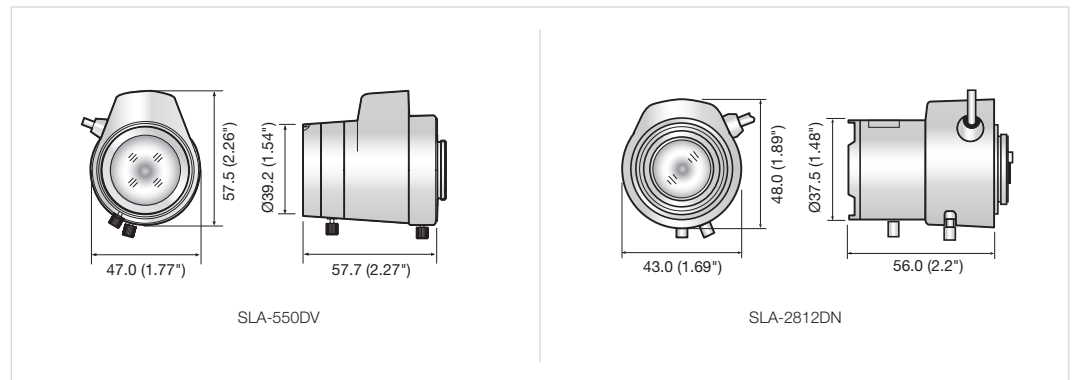
SLA-2812DN

## Specifications

	SLA-550DV	SLA-2812DN
CCD	1/3"	1/3"
Resolution	410K pixel	410K pixel
Focal Length	5 ~ 50mm / 0.2" ~ 1.97"	2.8 ~ 12mm / 0.11" ~ 0.47"
Max. Aperture Ratio	1 : 1.3 ~ 360	1 : 1.3 ~ 360
Max. Image Format	4.8(H) x 3.6(V)	4.8(H) x 3.6(V)
Angle of View	Diagonal	64.0° ~ 6.9°
	Horizontal	51.8° ~ 5.6°
	Vertical	39.2° ~ 4.3°
Operation	Iris	Auto (F1.3 ~ 360)
	Focus	0.8 ~ ∞
	Zoom	10x
Iris Type	DC	DC
Effective Lens	Front	Ø29.5mm / Ø1.16"
	Rear	Ø8.7mm / Ø0.34"
Aperture	Ø7.2mm / Ø2.8"	Ø7.2mm / Ø2.8"
Back Focal Length	10.5 ~ 10.6mm / 0.41" ~ 0.42"	20.2 ~ 8.1mm / 0.8" ~ 0.32"
Flange Back Length	12.5mm / 0.49"	12.5mm / 0.49"
Mount	CS-mount	CS-mount
Dimensions (WxHxD)		
Weight	100g (0.22 lb)	71g (0.16 lb)

## Dimensions

Unit : mm (inch)



The Eco mark represents Samsung Techwin's will to create environment-friendly products, and indicates that the product satisfies the EU RoHS Directive.

Design and specifications are subject to change without notice.



**SAMSUNG TECHWIN CO., LTD.**  
701, Sampyeong-dong, Bundang-gu, Seongnam-si, Gyeonggi-do Korea 463-400  
Tel : +82-70-7147-8741~8749, 8752~8760 Fax : +82-31-8018-3745  
www.samsungsecurity.com www.samsungcctv.com

**SAMSUNG TECHWIN AMERICA INC.**  
100 Challenger Rd. Suite 700 Ridgely Park, NJ 07660  
Toll Free : +1-877-213-1222 Direct : +1-201-325-6920  
Fax : +1-201-373-0124  
www.samsungcctvusa.com

**SAMSUNG TECHWIN EUROPE LTD.**  
Samsung House, 1000 Hillside Drive, Hillside Business Park  
Chertsey, Surrey, UNITED KINGDOM KT16 0PS  
Tel : +44-1932-45-5300 Fax : +44-1932-45-5325

**TIANJIN SAMSUNG TECHWIN OPTO-ELECTRONICS CO., LTD.**  
No.11 Wei 6 Street, Micro-Electronic Industrial Park  
Jingang Road, Tianjin, P.R. CHINA 300385  
Tel : +86-22-23887788 Fax : +86-22-23887788

■ DISTRIBUTED BY

