

# SN-IPR56/20AKDN

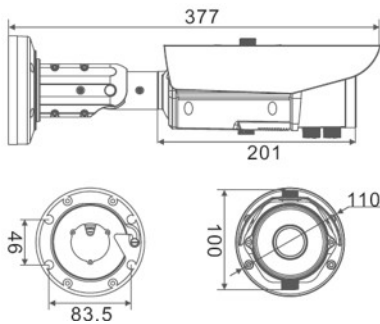
# 1080P Network IR Bullet



### Key features

- 1/2.9" Progressive Scan CMOS
- VF Lens 3.0-12mm
- Full HD 1080P
- Triple Streams
- Smart IR Up to 40m
- Low bitrate ,Excellent low light performance
- 3D DNR,dWDR,ICR
- ROI,Defog,HLC,Corridor mode,DIS
- Multiple Video Analytics
- IP67

### Dimension



### Accessories



SN-CBK627B



SN-CBK633

### Specifications

CAMERA	
Image Sensor	1/2.9" Progressive Scan CMOS
Min. illumination	Color:0.01Lux@(F1.2,AGC ON) ;B/W:0Lux@(IR LED ON)
Day & Night	ICR
Shutter Speed	1/5s-1/20000s
Auto Iris	Yes
Wide Dynamic Range	dWDR
Digital Noise Reduction	2D/3D
Lens	3.0-12mm Lens
FOV	87° ~ 35°
IR LED	17pcs
IR Range	Up to 40m
IMAGE	
Video Compression	H.264 High/Main/Baseline Profile, MJPEG
Bit Rate (CBR/VBR)	Main stream:500kb-12000kb ,Sub stream 100kb-6000kb
Audio Compression	G.711 ,RAW_PCM
Max. Resolution	1920x1080/30fps
Stream	Stream1 1920x1080/1280x720 Stream 2 D1 to QVGA
Image Setting	Rotate Mode, Saturation, Brightness, Contrast, Sharpness
HLC	Yes
9:16 Corridor Mode	Yes
DIS	Auto
ROI	Yes
Defog	Yes
NETWORK	
Network Protocols:	IPv4,802.1x,HTTP,HTTPS,TCP/IP,UDP/IP,RTSP,DHCP,NTP, RTCP/RTP, PPPoE, SMTP, DNS, UPnP, FTP, ICMP ,IGMP, Unicast and Multicast
Alarm Trigger	Default Base: Motion Detection, Line Crossing, Tamper, Area Intrusion, Network disconnect, Disk alarm Optional Advance: Motion Detection, Line Crossing, Tamper, Area Intrusion, Camera Move, Dwell, Multiple Dwell, Retrograde Detection, Object Left, Object Remove, Abnormal Speed, Illegal Parking, Network disconnect, Disk alarm, I/O alarm
RTSP Video	Standard RFC2326, Support QuickTime / VLC Player.
Security	User security authentication, Reset, Hardware Watch Dog
Web Language	English, Chinese, Polish, Italian, Portuguese, Spanish, Russian, French, Czech, Hungarian (Sunell Brand)
System Compatibility	Onvif
INTERFACE	
Ethernet	1 Ethernet (10/100 Base-T) RJ-45 Connector
Audio I/O	1ch Audio In,1ch Audio Out
Alarm I/O	1ch Alarm In,1ch Alarm Out
RS485	N/A
BNC Output	Yes
Reset Button	Yes
Edge Storage	Micro SD/SDHC/SDXC slot ,Max 64GB
GENERAL	
Power Supply	DC12V/POE
Power Consumption	5W(IR LED OFF); 8W (IR LED ON)
Operating Temperature	Starting Temperature: -30 °C ~ 60 °C (-22 °F ~ 140 °F) Working Temperature:-40 °C ~ 60 °C (-40 °F ~ 140 °F)
Operating Humidity	0% - 90% RH
Ingress Protection	IP67,IK10 Optional
Approvals	CE / FCC
Product Dimensions	φ 110×377mm
Product Weight	1680g