

SN-IPR57/41AKDN/Z

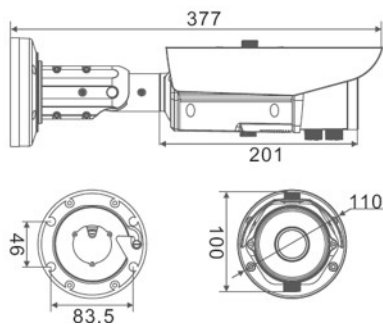
4MP Motorized Network IR Bullet



Key features

- 1/3" Progressive Scan CMOS
- Motorized lens 2.7-12mm
- 25fps/30fps@4MP(2592*1520)
- Triple Streams
- Smart IR Up to 50m
- Low bitrate ,Excellent low light performance
- WDR,3D DNR
- ROI,Defog,HLC,Corridor mode,DIS
- IP67

Dimension



Accessories



SN-CBK627B



SN-CBK633

Specifications

CAMERA	
Image Sensor	1/3" Progressive Scan CMOS
Min. illumination	Color:0.01Lux@(F1.2,AGC ON) ; B/W:0Lux@(IR LED ON)
Day & Night	ICR
Shutter Speed	1/5s-1/20000s
Auto Iris	Yes
Wide Dynamic Range	WDR>120dB
Digital Noise Reduction	2D/3D
Lens	2.7-12mm Motorized Lens
FOV	95° ~ 35°
IR LED	8pcs
IR Range	Up to 50m
IMAGE	
Video Compression	H.264/265, MJPEG
Bit Rate (CBR/VBR)	Main stream:500kb-12000kb ;Sub stream 100kb-6000kb
Audio Compression	G.711 ,RAW_PCM
Max. Resolution	2592*1520/30fps
Stream	Stream1 2592*1520/2560*1440/2304*1296/1920x1080 Stream 2 D1 to QVGA
Image Setting	Rotate Mode, Saturation, Brightness, Contrast, Sharpness
HLC	Yes
9:16 Corridor mode	Yes
DIS	Auto
ROI	Yes
Defog	Yes
NETWORK	
Network Protocols:	IPv4,802.1x,HTTP,HTTPS,TCP/IP,UDP/IP,RTSP,DHCP,NTP, RTCP/RTP, PPPoE, SMTP, DNS, UPnP, FTP, ICMP ,IGMP, Unicast and Multicast
Alarm Trigger	Perimeter ,Single Virtual Fences ,Double Virtual Fences ,Loiter ,Multi Loiter , Object Left ,Object Removed, Abnormal Speed ,Converse, Illegal Parking, Signal Bad ,Motion Detection ,Network disconnect, Disk alarm ,I/O alarm
RTSP Video	Standard RFC2326, Support QuickTime / VLC Player.
Security	User security authentication, Reset, Hardware Watch Dog
Web Language	English, Chinese, Polish, Italian, Portuguese, Spanish, Russian, French, Czech, Hungarian (Sunell Brand)
System Compatibility	Onvif
INTERFACE	
Ethernet	1I Ethernet (10/100 Base-T) RJ-45 Connector
Audio I/O	1ch Audio In&1ch Audio Out
Alarm I/O	1ch Alarm In&1ch Alarm Out
RS485	Yes
BNC Output	Yes
Reset Button	Yes
Edge Storage	Micro SD/SDHC/SDXC slot ,Max 128GB
GENERAL	
Power Supply	DC12V/POE
Power Consumption	5W(IR LED OFF); 8W (IR LED ON)
Operating Temperature	Starting Temperature: -30 °C ~ 60 °C (-22 °F ~ 140 °F) Working Temperature:-40 °C ~ 60 °C (-40 °F ~ 140 °F)
Operating Humidity	0% - 90% RH
Ingress Protection	IP67 ,IK10 optional
Approvals	CE / FCC
Product Dimensions	φ 110×377mm
Product Weight	1680g