

# 2MP 22x Starlight WDR Network IR Bullet Camera

IPC252ERA-X22DUP



## Key Features

### Optics

- Starlight illumination
- Accurate and fast focusing
- Smart IR, up to 200 m (656 ft) IR distance
- Up to 120 dB WDR(Wide Dynamic Range)
- Auto day/night functionality
- Optical glass window with higher light transmittance
- IR anti-reflection window to increase the infrared transmittance

### Compression

- Ultra 265, H.265, H.264, MJPEG
- Embedded smart algorithm
- Triple Streams
- ROI (Region of Interest)
- 9:16 corridor format
- Customized OSD

### Network

- ONVIF Conformance

## Structure

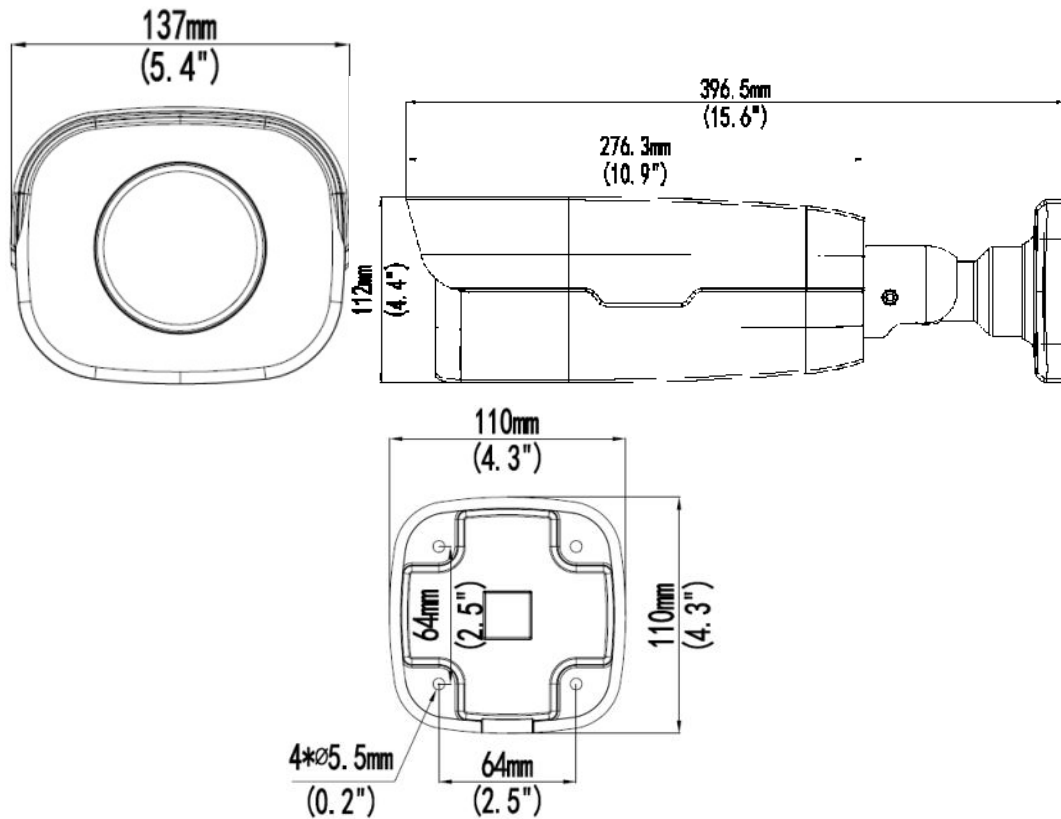
- Wide temperature range: -40°C to 60°C (-40°F to 140°F)
- Wide voltage range of ±25%
- IP67
- 3-Axis

## Specifications

IPC252ERA-X22DUP																
<b>Camera</b>																
Sensor	1/1.8", progressive scan , 2.0 megapixel, CMOS															
Lens	6.5 ~ 143 mm, AF automatic focusing and motorized zoom lens															
Optical Zoom	22															
DORI Distance	<table border="1"> <thead> <tr> <th>Lens</th> <th>Detect(m)</th> <th>Observe(m)</th> <th>Recognize(m)</th> <th>Identify(m)</th> </tr> </thead> <tbody> <tr> <td>6.5mm</td> <td>78</td> <td>31.2</td> <td>15.6</td> <td>7.8</td> </tr> <tr> <td>143mm</td> <td>1716</td> <td>686.4</td> <td>343.2</td> <td>171.6</td> </tr> </tbody> </table>	Lens	Detect(m)	Observe(m)	Recognize(m)	Identify(m)	6.5mm	78	31.2	15.6	7.8	143mm	1716	686.4	343.2	171.6
	Lens	Detect(m)	Observe(m)	Recognize(m)	Identify(m)											
	6.5mm	78	31.2	15.6	7.8											
143mm	1716	686.4	343.2	171.6												
Angle of view(H)	59°~3°															
Angle of View (V)	34.6° ~1.6°															
Angle of View (O)	76.7° ~3.7°															
Adjustment angle	<table border="1"> <tr> <td>Pan: 0°~360°</td> <td>Tilt: 0°~90°</td> <td>Rotate: 0°~360°</td> </tr> </table>	Pan: 0°~360°	Tilt: 0°~90°	Rotate: 0°~360°												
Pan: 0°~360°	Tilt: 0°~90°	Rotate: 0°~360°														
Shutter	Auto/Manual, 1~1/100000 s															
Minimum Illumination	Colour: 0.001 Lux (F1.5, AGC ON) 0 Lux with IR															
Iris	Auto/Manual, F1.5~F3.4, DC-Iris															
Day/Night	IR-cut filter with auto switch (ICR)															
Digital noise reduction	2D/3D DNR															
S/N	>52 dB															
IR Range	up to 200 m (656 ft) IR range															
Defog	Digital Defog															
WDR	120dB															
<b>Video</b>																
Video Compression	Ultra 265, H.265, H.264, MJPEG															
H.264 code profile	Baseline profile, Main Profile, High Profile															
Frame Rate	Main Stream:2MP (1920×1080):Max. 60 fps; Sub Stream:2MP (1920×1080):Max. 60 fps; Third Stream: D1 (720×576): Max. 60 fps															
9:16 Corridor Mode	Supported															
ROI	Supported															
HLC	Supported															
BLC	Supported															
OSD	Up to 8 OSDs															

Motion Detection	Up to 4 areas
Privacy Mask	Up to 8 areas
<b>Smart</b>	
Behavior Detection	Intrusion, cross line, motion detection
Intrusion	Enter and loiter in a pre-defined virtual region
cross line	Cross a pre-defined virtual line
motion detection	Moving within a pre-defined virtual region
Recognition:	Face detection、Audio detection
Intelligent Identification	Defocus, Scene Change, Object Left, Object Moving
Statistical Analysis	People counting
General Function	Watermark, IP Address Filtering, Tampering Alarm, Alarm input, Alarm output, Access Policy, ARP Protection, RTSP Authentication, User Authentication
<b>Audio</b>	
Audio Compression	G.711
Two-way audio	Supported
Suppression	Supported
Sampling Rate	8 KHZ
<b>Storage</b>	
Edge Storage	Micro SD, up to 128 GB
Network Storage	ANR
<b>Network</b>	
Protocols	IPv4, IGMP, ICMP, ARP, TCP, UDP, DHCP, PPPoE, RTP, RTSP, RTCP, DNS, DDNS, NTP, FTP, UPnP, HTTP, HTTPS, SMTP, 802.1x, SNMP
Compatible Integration	ONVIF(Profile S, Profile G), API
<b>Interface</b>	
Audio I/O	Audio cable
	1 Input: impedance 35 kΩ; amplitude 2 V [p-p]
	1 Output: impedance 600 Ω; amplitude 2 V [p-p]
Alarm I/O	2 / 1
Serial Port	1 RS485
Network	1 RJ45 10M/100M Base-TX Ethernet
Video Output	1 BNC, impedance 75 Ω; amplitude 1 V [p-p]
<b>General</b>	
Power	24 V AC ±25%, -P: PoE(IEEE 802.3at)
	Power consumption: Max 21W
Dimensions (L × W × H)	396.5 × 137 × 112mm (15.6" × 5.4" × 4.4")
Weight	3.7 kg (8.2 lb)
Working Environment	-40°C ~ +60°C (-40°F ~ 140°F), Humidity ≤ 95% RH(non-condensing)
Ingress Protection	IP67
Reset Button	Supported

## Dimensions



### Zhejiang Uniview Technologies Co.,Ltd.

South Tower, Building 10, Wanlun Science Park, 88 Jiangling Road, Hangzhou, P.R.China 310051

Email: [overseasbusiness@uniview.com](mailto:overseasbusiness@uniview.com); [globalsupport@uniview.com](mailto:globalsupport@uniview.com)

<http://www.uniview.com>

©2017-2018 Zhejiang Uniview Technologies Co.,Ltd. All rights reserved.

\*Product specifications and availability are subject to change without notice.