

2MP 22x Indoor Network PTZ Dome Camera

IPC6222EI-X22UP-C



Key Features

Optics

- Starlight illumination
- 22x optical zoom
- Accurate and fast focusing

Compression

- H.265, H.264, MJPEG
- Embedded smart algorithm
- Triple streams
- Customized OSD

Network

- ONVIF Conformance

Structure

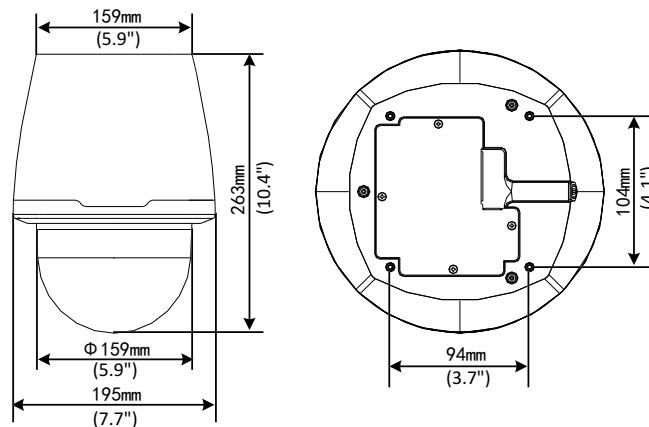
- Fast installation structure design
- Intelligent temperature control technology
- 6 KV surge protection designed for network interface
- IK10 vandal resistant
- IP65

Specifications

	IPC6222EI-X22UP-C
Camera	
Sensor	1/2.8", 2megapixel, progressive scan, CMOS
Lens	5.2 ~ 114.4mm (22x optical zoom)
Angle of View (H)	55.9° (wide) ~ 3.4° (tele)
Shutter	Auto/Manual; shutter time: 1/6 s ~ 1/100000 s
Minimum Illumination	Colour: 0.002 lux (F1.5, AGC ON) B/W: 0.0002 lux(F1.5, AGC ON)
Iris	Auto/Manual; F1.5 ~ F3.0
Day/Night	IR-cut filter with auto switch (ICR)
S/N	>52dB
WDR	True WDR (up to 120 dB)
Video	
Max. Resolution	1920 × 1080
Video Compression	H.265, H.264, MJPEG
Frame Rate	1080P (1920×1080):Max.30 fps; 720P (1280×720):Max.30 fps; D1 (720×576):Max.8 fps
Video Streaming	Triple
HLC	Supported
Evaluative Metering	Supported
OSD	Up to 8 OSDs
Privacy Mask	Up to 8 areas
Digital Zoom	Supported
Smart	
Behavior Detection	Intrusion, crossing line, motion detection
Exception Detection	Audio detection
Intelligent Identification	Face detection
Statistical Analysis	People counting
Audio	
Audio Compression	G.711
Two-way audio	Supported
Storage	
Edge Storage	Micro SD, up to 128 GB
Network	
Protocols	L2TP, IPv4, IGMP, ICMP, ARP, TCP, UDP, DHCP, PPPoE, RTP, RTSP, RTCP, DNS, DDNS, NTP, FTP, UPnP, HTTP, HTTPS, SMTP 802.1x
Compatible Integration	ONVIF, API
Pan & Tilt	
Pan Range	360° (endless)
Pan Speed	0.1°/s ~ 400°/s
	Preset speed:540°/s
Tilt Range	-20° ~ +90° (auto reverse)
Tilt Speed	0.1° ~ 240°/s

	Preset speed: 400°/s
Number of Presets	256
Patrol	Preset patrol, route patrol, recorded patrol
Home Position	Supported
Interface	
Audio I/O	Audio cable
	1 Input: impedance 35 k Ω ; amplitude 2 V [p-p]
	1 Output: impedance 600 Ω ; amplitude 2 V [p-p]
Alarm I/O	2/ 1
Serial Port	1 RS485
Network	10M/100M Base-TX Ethernet
Video Output	1 BNC, impedance 75 Ω ; amplitude 1 V [p-p]
General	
Power	24 V AC, 24 V DC, PoE (IEEE802.3 at)
	Power consumption: 8~ 20W
Dimensions(ϕ xH)	ϕ 195 x 263 mm (ϕ 7.7" x 10.4")
Weight	4.2 kg (9.3 lb)
Working Environment	-20°C ~ +50°C (-4°F ~ 122°F), Humidity \leq 95% RH(non-condensing)
Vandal Resistant	IK10

Dimensions



Accessories

Installation mode	Accessories	Description
In-ceiling mount	TR-FM200-IN	/
Indoor pendent mount	TR-UF45-C-IN+TR-CE45-IN	/
Indoor Wall mount	TR-UF45-C-IN+TR-WE45-IN(shorter bracket)	/
	TR-UF45-C-IN+TR-WE45-A-IN(longer bracket)	
	TR-UF45-C-IN+TR-WE45-B-IN(sawn neck bracket)	

Zhejiang Uniview Technologies Co., Ltd.

South Tower, Building 10, Wanlun Science Park, 88 Jiangling Road, Hangzhou, P.R.China 310051

Email: overseasbusiness@uniview.com; globalsupport@uniview.com

<http://www.uniview.com>

©2017 Zhejiang Uniview Technologies Co., Ltd. All rights reserved.

*Product specifications and availability are subject to change without notice.