

4MP Fixed Lens IR PT Camera

IPC744SR5-PF40 (60)-32G



Key Features

PTZ

- Precision motor with accuracy deviation less than 0.1 degree.
- Pan range 250°, tilt range -50° to 50°
- Pan speed up to 30°/s, tilt speed up to 10°/s

Optics

- Smart IR, up to 50m (164 ft) IR distance
- IR anti-reflection window to increase the infrared transmittance
- Day/night functionality

Compression

- H.265, H.264, MJPEG
- Embedded smart algorithm
- Triple streams
- Customized OSD

Network

- ONVIF Conformance

Structure

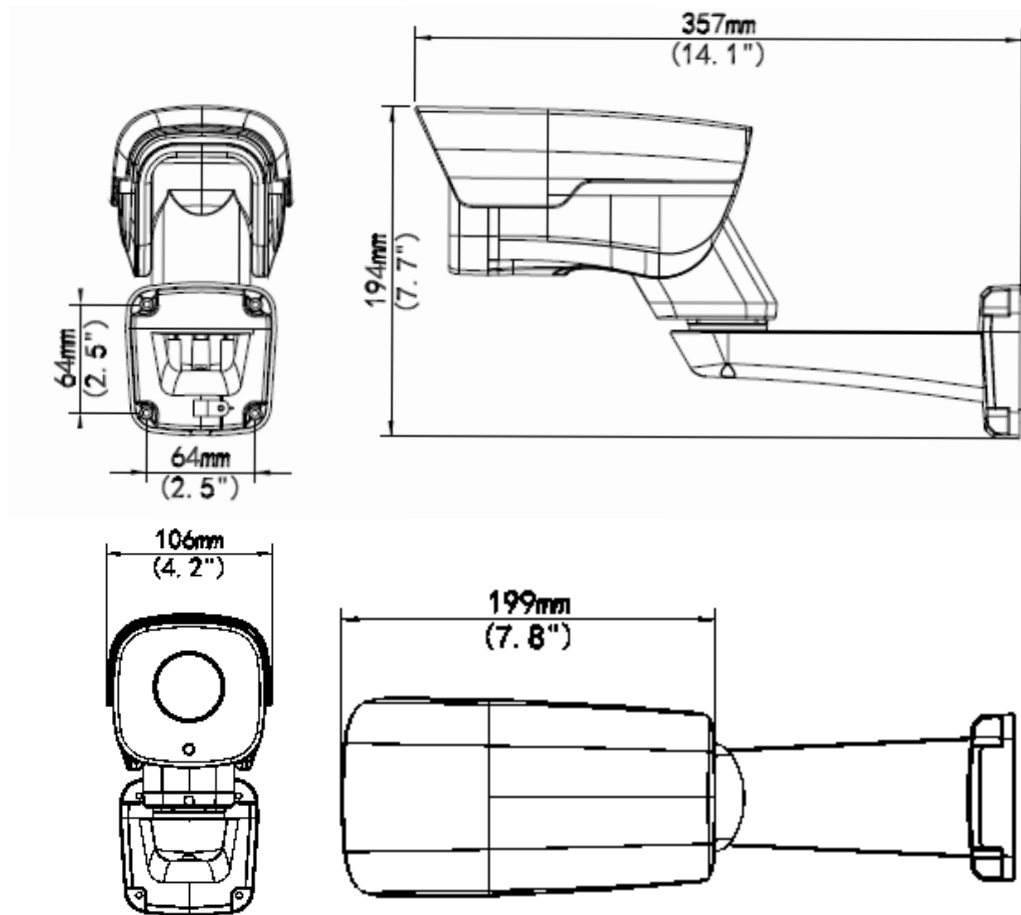
- Support PoE power supply
- Wide temperature range: -35°C to +60°C (-31°F to +140°F)
- Wide voltage range of ±25%
- IP66

Specifications

Camera	IPC744SR5-PF40-32G	IPC744SR5-PF60-32G
Sensor	1/3", 4 megapixel, progressive scan CMOS	
Lens	4.0mm@F1.8	6.0mm@F1.8
Shutter	Auto/Manual, 1/6s ~ 1/100000s	
Minimum Illumination	Color: 0.02 Lux (F1.8, AGC ON) 0 Lux with IR on	
IR Range	50m (164 ft) IR range	
Day/Night	IR-cut filter with auto switch (ICR)	
S/N	>55dB	
WDR	Digital	
Noise Reduction	2D/3D	
Video		
Max. Resolution	2592×1520	
Video Compression	H.265, H.264, MJPEG	
Frame Rate	4MP (2592×1520): Max. 20 fps; 4MP (2560×1440): Max. 25 fps 3MP (2048×1520): Max. 30 fps; 1080P (1920×1080): Max. 30 fps	
Video Streaming	Triple streams	
ROI	Supported	
HLC	Supported	
Evaluative Metering	Supported	
OSD	Up to 8 OSDs	
Privacy Mask	Supported	
Smart		
Behavior Detection	Intrusion, crossing line, motion detection	
Exception Detection	Audio detection	
Intelligent Identification	Face detection	
Statistical Analysis	People counting	
Audio		
Audio Compression	G.711	
Two-way Audio	Supported	
Storage		
Edge Storage	Built-in 32 GB eMMC	
Network		
Protocol	L2TP, IPv4, IGMP, ICMP, ARP, TCP, UDP, DHCP, PPPoE, RTP, RTSP, RTCP, DNS, DDNS, NTP, FTP, UPnP, HTTP, HTTPS, SMTP, SIP, 802.1x	
Compatibility	ONVIF, API	
Structure		
Pan Range	250°	
Pan Speed	0.1°/s ~ 15°/s	
	Preset speed: 15°/s	

Tilt Range	-50° ~ 50°
Tilt Speed	0.1°/s ~5°/s
	Preset speed: 5°/s
Number of Presets	400
Patrol	Up to 16 patrols, up to 32 presets per patrol Note: <i>The total number of patrols and patterns is 16.</i>
Interface	
Audio I/O	3.5 mm connector
	Input: impedance 35 kΩ; amplitude 2 V [p-p]
	Output: impedance 600 Ω; amplitude 2 V [p-p]
Alarm I/O	2 / 1
Network	10M/100M adaptive Ethernet
General	
Power	12 V DC±25%, PoE (IEEE802.3at)
	Power consumption: Max. 17.23 W
Dimensions	357 mm × 106 mm × 194 mm (14.1" × 4.2" × 7.7")
Weight	1.16 kg (2.6 lb)
Working Environment	-35°C to +60°C (-31°F to 140°F), ≤ 95% RH
Ingress Protection	IP66

Dimensions



Accessories

Installation mode	Accessories	Description
Wall mount	\	Mounting pedestal is included in the Product package
Ceiling mount	\	Mounting pedestal is included in the Product package

Zhejiang Uniview Technologies Co., Ltd.

South Tower, Building 10, Wanlun Science Park, 88 Jiangling Road, Hangzhou, P.R.China 310051

Email: overseasbusiness@uniview.com; globalsupport@uniview.com

<http://www.uniview.com>

©2016-2017 Zhejiang Uniview Technologies Co., Ltd. All rights reserved.

*Product specifications and availability are subject to change without notice.