

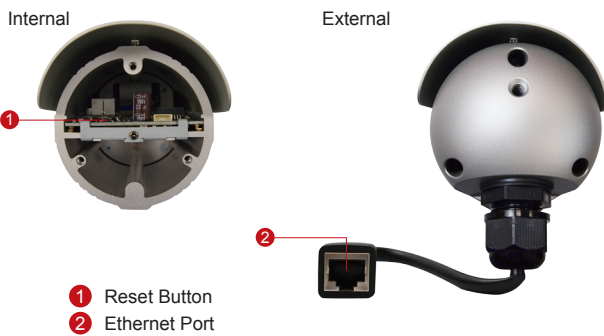
# D31

## 1MP Bullet with D/N, IR, Fixed Lens

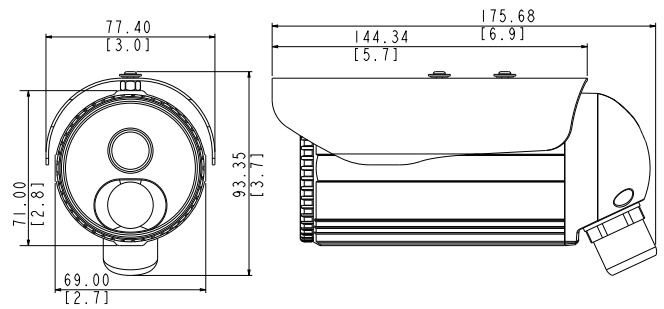


- 1 Megapixel with 720p
- Day & Night with IR LED
- Fixed Lens with f4.2mm / F1.8
- 30 fps at 1280 x 720
- Weatherproof (IP66)

### PHOTO INDICATION



### DIMENSION DIAGRAM



Unit: mm [inch]

### ACCESSORY OPTIONS

#### Camera Bracket

PMAX-1103

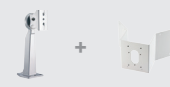


Aluminum, max. load 10 kg (22.05 lb), tilt angle 90°, swivel angle 360°

#### Popular Mounting Solutions

Corner

PMAX-1103  
PMAX-0402



Pole

PMAX-1103  
PMAX-0503



\* For more mounting solutions, please refer to Project Planner on [www.acti.com](http://www.acti.com)

**PRODUCT SPECIFICATION****D31****• Device**

Device Type	Bullet Camera
Image Sensor	Progressive Scan CMOS
Sensor size	1/4"
Day / Night	Yes
Superior Low Light Sensitivity	No
Minimum Illumination	Color: 0.1 lux at F1.8 (30 IRE, 2400°K); B/W: 0 lux (IR LED on)
Color to B/W switch	ISP based switch; Configurable
Mechanical IR Cut Filter	Yes
IR Sensitivity Range	700 - 1100 nm
IR LED	IR LED x 1 (850 nm)
IR Working Distance	10 m (0 lux, 30 IRE, Max exposure gain)
Electronic Shutter	1/5 ~ 1/2,000 sec (manual mode); 1/5 ~ 1/10,000 sec (auto mode)

**• Lens**

Focal Length / Aperture	Fixed focal, f4.2 mm / F1.8
Iris	Fixed iris
Focus	Fixed Focus
Lens Mount	Board mount
Horizontal Viewing Angle	55.9°

**• Video**

Compression	H.264 HP, MJPEG
Max. Frame Rate vs. Resolution	30 fps at 1280 x 720; 30 fps at 640 x 480; 15 fps at 320 x 240
Multi-Streaming	Simultaneous dual streams based on two configurations
Bit Rate	28 Kbps - 6 Mbps (per stream)
Bit Rate Mode	Constant, Variable
Image Enhancement	White balance: automatic, hold, and manual; Brightness; Contrast; Sharpness(auto); Auto gain control; Digital noise reduction; Flickerless
Privacy Mask	4 configurable regions
Text Overlay	User defined text on video
Image Orientation	Image flip and mirror

**• Network**

Protocol & Service	TCP, UDP, HTTP, HTTPS, DHCP, PPPoE, RTP, RTSP, IPv6, DNS, DDNS, NTP, ICMP, ARP, IGMP, SMTP, FTP, UPnP, SNMP, Bonjour
Ethernet Port	1, Ethernet (10/100 Base-T), RJ-45 connector
Security	IP address filtering; HTTPS encryption; Password protected user levels; Anonymous login; IEEE 802.1X network access control

**• Alarm**

Alarm Trigger	Video motion detection (3 regions)
Alarm Response	Notify control center; Change camera settings; Command other devices; E-mail notification with snapshots; Upload video, Snapshot to FTP server

**• General**

Power Source / Consumption	PoE Class 2 (IEEE802.3af) / 3.79 W (IR on)
Weight	515 g (1.14 lb)
Dimensions (Ø x L)	77 mm x 177 mm (3.03" x 6.9")
Bundled Accessories	Bracket
Environmental Casing	Weatherproof (IP66 rated)
Mount Type	Wall, Ceiling, Corner, Pole
Starting Temperature	-20°C ~ 50°C (-4°F ~ 122°F)
Operating Temperature	-40°C ~ 50°C (-40°F ~ 122°F)
Operating Humidity	10% ~ 85% RH
Approvals	CE (EN 55022 Class B, EN 55024), FCC (Part15 Subpart B Class B), IP66

**• Integration**

Unified Solution	Fully compatible with ACTi software
ISV Integration	Software Development Kit (SDK) available; ONVIF compliant
Firmware Access Browser	Microsoft Internet Explorer 8.0 or newer (full functionality); Other browsers with QuickTime installed (partial functionality)