

## DH-SD6AW320-HN

---

### 3Mp Full HD Network IR Wipe PTZ Dome Camera



#### Features

- Powerful 20x optical zoom
- H.264 & MJPEG dual-stream encoding
- Max. 15fps@3Mp, 25/30fps@1080p resolution
- WDR, Day/Night(ICR), DNR (2D&3D), Auto iris, Auto focus, AWB, AGC,BLC
- Support Wipe
- Multiple network monitoring: Web viewer, CMS(DSS/PSS) & DMSS
- Max 240°/s pan speed, 360° endless pan rotation
- Up to 255 presets, 5 auto scan, 8 tour, 5 pattern
- Built-in 7/2 alarm in/out
- Support intelligent 3D positioning with DH-SD protocol
- Micro SD memory, IP66
- IR Distance up to 150m

# DH-SD6AW320-HN

## Technical Specifications

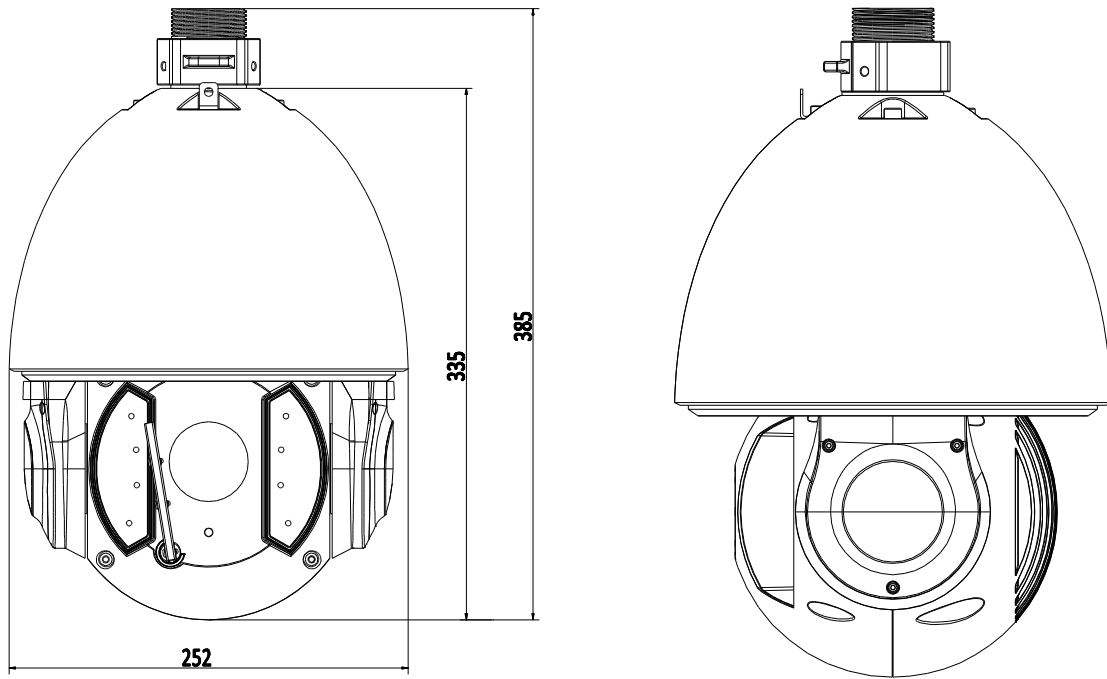
<b>Model</b>	<b>DH-SD6AW320-HN</b>
<b>Camera</b>	
Image Sensor	1/3" CMOS
Effective Pixels	2048(H) x 1536(V), 3 Megapixels
Scanning System	Progressive
Electronic Shutter Speed	1/1 ~ 1/30,000s
Min. Illumination	Color: 0.05Lux@F1.6; B/W: 0.005Lux@F1.6
S/N Ratio	More than 50dB
Video Output	BNC(1.0Vp-p/75Ω), PAL / NTSC
<b>Camera Features</b>	
Day/Night	Auto(ICR) / Color / B/W
Backlight Compensation	BLC / HLC / WDR(120dB)
White Balance	Auto, ATW, Indoor, Outdoor, Manual
Gain Control	Auto / Manual
Noise Reduction	Ultra DNR (2D/3D)
Privacy Masking	Up to 24 areas
Digital Zoom	16x
Defog	N/A
Wipe	Support
<b>Lens</b>	
Focal Length	4.7mm~94.0mm(20x Optical zoom)
Max Aperture	F1.6 ~ F3.5
Focus Control	Auto / Manual
Angle of View	H: 55.4° ~ 2.9°
Close Focus Distance	10mm~ 1000mm
<b>PTZ</b>	
Pan/Tilt Range	Pan: 0° ~ 360° endless; Tilt: -10° ~ 90°, auto flip 180°
Manual Control Speed	Pan: 0.1° ~200° /s; Tilt: 0.1° ~120° /s
Preset Speed	Pan: 240° /s; Tilt: 200° /s
Preset	80(DH-SD), 255(Pelco-P/D)
PTZ Mode	5 Pattern, 8 Tour, Auto Pan, Auto Scan
Speed Setup	Human-oriented focal length/ speed adaptation
Power up Action	Auto restore to previous PTZ and lens status after power failure
Idle Motion	Activate Preset/ Pan/ Scan/ Tour/ Pattern if there is no command in the specified period
Time Task	Auto activation of Preset/ Pan/ Scan/ Tour/ Pattern by preset-time
Protocol	DH-SD, Pelco-P/D (Auto recognition)
IR Distance	150m (2 near IR LED+ 8 far IR LED)
<b>Video</b>	

## DH-SD6AW320-HN

Compression		H.264 / MJPEG
Resolution		3M(2048×1536)/1080P(1920×1080) /720P(1280×720) / D1(704×576/704×480)/ CIF(352×288/352×240)
Frame Rate	Main Stream	3M(1~15fps)/1080P/720P(1 ~ 25/30fps)
	Sub Stream	D1/CIF(1 ~ 25/30fps)
Bit Rate		H.264: 56K ~ 8192Kbps, MJPEG: 56K ~ 20480Kbps
<b>Audio</b>		
Compression		G.711a / G.711u(32kbps)/ PCM(128kbps)
Interface		1/1 channel In/Out
<b>Network</b>		
Ethernet		RJ-45 (10/100Base-T)
Protocol		IPv4/ IPv6, HTTP, HTTPS, SSL, TCP/IP, UDP, UPnP, ICMP, IGMP, SNMP, RTSP, RTP, SMTP, NTP, DHCP, DNS, PPPOE, DDNS, FTP, IP Filter, QoS, Bonjour, 802.1x
ONVIF		ONVIF Profile S
Max. User Access		20 users
Smart Phone		iPhone, iPad, Android, Windows Phone
<b>Auxiliary Interface</b>		
Memory Slot		Micro SD, Max 64GB
RS485		1
Alarm		7/2 channel In/Out
<b>General</b>		
Power Supply		AC24V/3A(±16%)
Power Consumption		20W, 43W (IR on, Heater on)
Working Environment		-40°C ~ 70°C / Less than 90% RH
Ingress Protection		IP66
Dimensions		Φ252(mm) x 385 (mm)
Weight		6.75kg

# DH-SD6AW320-HN

## Dimensions (mm)



## Accessories

		
DH-69FB	DH-PFA111	Power Supply

## DH-SD6AW320-HN

### Accessories (Optional)

			
DH-PFB300C	DH- PFB301C	DH-PFA112	DH-PFA113

		
DH- PFA120	DH-PFA150	DH-PFA151

---

### Dahua Technology Co., Ltd.

1199 BinAn Road, Binjiang District, Hangzhou, China

Tel: +86-571-87688883

Fax: +86-571-87688815

Email: [overseas@dahuatech.com](mailto:overseas@dahuatech.com)

[www.dahuasecurity.com](http://www.dahuasecurity.com)

\*Design and specifications are subject to change without notice.

© 2014 Dahua Technology