

DP-22DF7284-AW

2MP Network IR PTZ Dome Kamera

Wiper PTZ

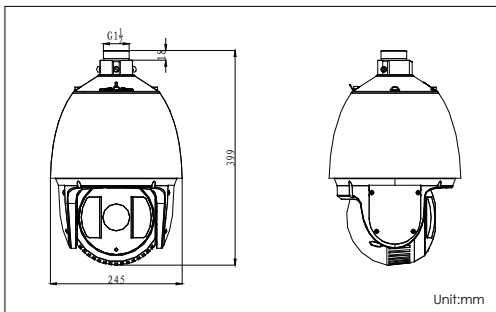


Genel Özellikler

1920x1080 Full HD

- Lens temizleyici silecek özelliği
- 30X / 20X optik zum, 16X dijital zum
- 150m IR Mesafesi
- Akıllı Takip, Buğu Çözücü
- True Day/Night, D WDR, 3D DNR
- 3D Akıllı Konumlandırma
- Triple stream

Boyutlar



| DP-22DF7284-AW | |
|------------------------------|---|
| Camera | |
| Image sensor | 1/2.8" Progressive Scan CMOS |
| Effective pixel | 2230K pixels |
| Min. Illumination | Color : 0.4lux (F1.6,1/30 sec, 50 IRE, AGC on); 0.05lux (F1.6,1/1 sec, 50 IRE, AGC on); 0 lux with IR B/W : 0.03lux (F1.6,1/30 sec, 50 IRE, AGC on); 0.005lux (F1.6,1/1 sec, 50 IRE, AGC on); 0 lux with IR |
| White balance | Auto / Manual /ATW/Indoor / Outdoor / Daylight lamp / Sodium lamp |
| AGC | Auto / Manual |
| S / N ratio | ≥ 50dB |
| Digital noise reduction | 3D DNR |
| Backlight compensation | HLC / BLC |
| Wide dynamic range | Digital WDR |
| Shutter speed | 50Hz: 1 ~ 1/30,000s, 60Hz: 1 ~ 1/30,000s |
| Day & Night | IR Cut Filter |
| Digital zoom | 16X |
| Privacy masking | 24 privacy masks programmable, optional multiple colors and mosaics |
| Focus mode | Auto / Semiautomatic / Manual |
| Enhancement | Defog |
| Lens | |
| Focal length | 4.7 ~ 94mm, 20X optical zoom |
| Zoom speed | Approx. 2.7s (Optical Wide-Tele) |
| Angle of view | 58.3 ~ 3.2 degree (Wide-Tele) |
| Min. Working distance | 10 ~ 1500mm(Wide-Tele) |
| Aperture range | F1.6 ~ F3.5 |
| Pan and Tilt | |
| Smart tracking | Support |
| Pan / Tilt range | Pan: 360° endless; Tilt: -2° ~ 90° (auto flip) |
| Pan / Tilt speed | Pan Manual Speed: 0.1° ~ 160°/s, Pan Preset Speed: 240°/s Tilt Manual Speed: 0.1° ~ 120°/s, Tilt Preset Speed: 200°/s |
| Proportional zoom | Rotation speed can be adjusted automatically according to zoom multiples |
| Number of preset | 256 |
| Patrol | 8 patrols, up to 32 presets per patrol |
| Pattern | 4 patterns, with the recording time not less than 10 minutes per pattern |
| Power-off memory | Support |
| Park action | Preset / Patrol / Pattern / Pan scan / Tilt scan / Random scan / Frame scan / Panorama scan |
| PTZ position display | Support |
| Preset freezing | Support |
| Scheduled task | Preset / Patrol / Pattern / Pan scan / Tilt scan / Random scan / Frame scan / Panorama scan/Dome reboot/Self-test action/Alarm output |
| Infrared | |
| Smart IR | Support |
| IR distance | Up to 150m |
| IR intensity | Automatically adjusted, depending on the zoom ratio |
| Alarm | |
| Alarm input | 7 inputs |
| Alarm output | 2 relay outputs, alarm response actions configurable |
| Alarm trigger | Motion detection, Audio Exception Detection, Dynamic analysis, Tampering alarm, Network disconnect, IP address conflict, Storage exception |
| Alarm action | Preset, Patrol, Pattern, SD/SDHC card recording, Relay output, Notification on Client |
| Local Video&Audio | |
| Video output | 1.0V(p-p) / 75Ω, NTSC (or PAL) composite, BNC |
| Audio input | 1 Mic in/Line in interface. Line input: 2-2.4V(p-p); output impedance: 1KΩ, ±10% |
| Audio output | 1 Audio output interface. Line level, impedance: 600Ω |
| Network | |
| Ethernet | 10Base-T / 100Base-TX, RJ45 connector |
| Max. image resolution | 1920x1080 |
| Frame rate | 50Hz: 25 fps (1920x1080), 25 fps (1280x960), 25 fps (1280x720) 60Hz: 30 fps (1920x1080), 30 fps (1280x960), 30 fps (1280x720) |
| Image compression | H.264 / MJPEG / MPEG4, H.264 encoding with Baseline / Main / High profile |
| SVC | Support |
| ROI encoding | Support |
| Audio compression | G.711u / G.711a / G.726 / MP2L2 |
| Protocols | IPv4/IPv6, HTTP, HTTPS, 802.1x, Qos, FTP, SMTP, UPnP, SNMP, DNS, DDNS, NTP, RTSP, RTP, TCP, UDP, IGMP, ICMP, DHCP, PPPoE |
| Simultaneous live view | Up to 10 |
| Streams | Triple streams |
| SD memory card | Built-in SD/SDHC Slot, up to 32GB, support manual / alarm / edge recording |
| User/Host level | Up to 32 users, 3 Levels: Administrator, Operator and User |
| Security measures | User authentication (ID and PW), Host authentication (MAC address), IP address filtering |
| Integration | |
| Application programming | Open-ended API, support Onvif, PSIA and CGI |
| Web browser | IE 7+, Chrome 18+, Firefox 5.0+, Safari 5.02+, support multi-language |
| General | |
| RS-485 protocols | HIKVISION, Pelco-P, Pelco-D, self-adaptive |
| Power | 24VAC, max. 52W |
| Working temperature | -30°C ~ 65°C(-22°F ~ 149°F) |
| Humidity | 90% or less |
| Protection level | IP66, TVS 4000V lightning protection, surge protection and voltage transient protection |
| Wiper | Support |
| Dimensions | Φ245 × 399mm (Φ9.65" × 15.71") |
| Weight | Approx. 5.5kg(12.13lbs) |