

DynaHawk™ ZD Series

Hyper Mini Fisheye IP Camera

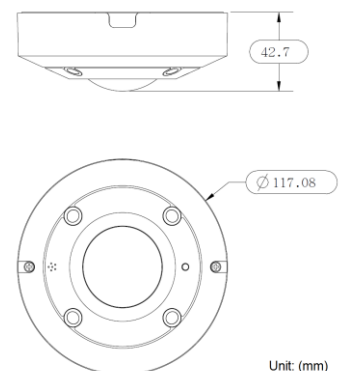


The Multiple Streams Ultra High Definition Mini Fisheye IP Camera is a high resolution surveillance solution features 360° wide coverage without blind spots. Mini fisheye camera supports resolution up to 6 Megapixels streaming at 30 fps which allows the videos to be viewed smoothly. Moreover, the fisheye camera supports digital PTZ, panoramic view and several display modes to fulfill users' needs. With the Compact and Concise design, Mini Fisheye Camera is suitable to apply in many kinds of environment, such as office room, hotel, vehicles, etc.

Furthermore, the embedded edge dewarping engine enables the fisheye camera to dewarp images by camera rather than backend system. Therefore, edge dewarping technique reduces the burden of backend system and also enhances the flexibility of usage. Featuring IR LED module and Smart Picture Quality/Noise Reduction improves the image quality in low light environments.

Key Features

- Progressive Scan CMOS Sensor
- Software Dewarping: 6M Resolution + 720P Real-Time
- Edge Dewarping, Up to 4M Resolution Real-Time
- Quad Streams Compression: H.264 Baseline / Main / High Profile + MJPEG
- Multiple Dewarp Display Modes
Digital PTZ / Panorama View / Quad View
- Smart Event Function
Audio Detection / Motion Detection / Network Failure Detection / Tampering Alarm
Periodical Event / Manual Trigger Event
- Multiple and Dynamic Region of Interest (ROI) Windows
- Smart TextOverlay and Privacy Masks
- Wide Dynamic Range
- Day/Night (ICR)
- IR LED Module
- Built-in MIC & Speaker
- 2D/3D Noise Reduction / Color Noise Reduction
- Weatherproof (IP66 International)*
- MicroSD and NAS Recording Support
- Compact and Concise Design
- ONVIF Support
- IK10



Unit: (mm)

DynaHawk™ ZD Series - Hyper Mini Fisheye IP Camera

Camera		Z4SA-D
Image Sensor		1/1.8" Sony Progressive CMOS
Effective Pixels		6M
Minimum Illumination	Color	0.04
	B/W	0.002
Shutter Speed		1 ~ 1/10000 sec.
Lens		
Lens		Stereo Projection
Lens Mounting		1/2" Fisheye Lens
Focal Length		M12
F Number		1.55 mm
FOV		F2.0
		185° @ Full Resolution
Operation		
Multiple Languages		English / French / German / Italian / Japanese / Korean / Portuguese / Russian / Simplified Chinese / Spanish / Traditional Chinese
Image Setting	Backlight	On / Off
	White Balance	Manual / AWB / ATW / One Push
	Noise Reduction	3DNR / 2DNR / ColorNR
	Wide Dynamic Range	On / Off
	Privacy Mask	On / Off
	Brightness	Manual
	Exposure	Auto / Manual
	Sharpness	Manual
	Contrast	Manual
	Saturation	Manual
	Hue	Manual
	Digital Zoom	Support
	Privacy Mask Type	Color
	ICR	Auto / LED On / LED Off / Smart IR / Light Sensor
	IR Threshold	Adjustable levels
Event Setting	Motion Detection	By Schedule / On / Off
	Tampering Alarm	By Schedule / On / Off
	Network Failure	By Schedule / On / Off
	Audio Detection	On / Off
Audio	Two-way Audio	Built-in Speaker (Max. 2W Mono) & Microphone or Two-way Audio (Line in / Line out)*
	Compression	G.711 / G.726 / AAC / LPCM
	Bit rate	G.726 : 16Kbps/24Kbps/32Kbps/40Kbps, G.711 : uLAW(64Kbps)/ALAW(64Kbps), AAC:128 Kbps, PCM: 128Kbps/256Kbps/384Kbps/768Kbps
	Sampling rate	8 KHz
Network		
Interface		RJ-45, 1Gbps Ethernet
Video Compression		MJPEG / H.264 (MPEG-4 Part 10/AVC) Baseline / Main Profile / High Profile / SVC
Edge Dewarping	Dual Streaming	
	H.264 4M (2048 x 2048) @ 20fps + H.264 1080P @ 20fps H.264 1.98M (1408 x 1408) @ 25/30fps + H.264 1080P @ 25/30fps Note: MJPEG supports for resolution of 1080p or under	
Video Streaming	Single Streaming	
	H.264 6M (3072 x 2048) @ 25/30 fps H.264 / MJPEG 1080P @ 50/60fps	
SW Dewarping	Dual Streaming	
	H.264 6M (3072 x 2048) @ 25/30 fps + 720P @ 25/30 fps H.264 1080P @ 50/60 fps + H.264 1080P @ 25/30 fps Note: MJPEG supports for resolution of 1080p or under	
Video Resolution	Quad Streaming	
	PAL: H.264 1080P @ 50fps + H.264 1080P @ 50fps + H.264 VGA @ 50fps + H.264 CIF @ 50fps NTSC: H.264 1080P @ 60fps + H.264 SXGA @ 60fps + H.264 D1 @ 60fps + H.264 CIF @ 60fps Note: 1 of the streamings can be MJPEG	
Edge Dewarping	H.264 - 2048x2048 / 2688x1520 / 2048x1536 / 1920x1080 / 1600x1200 / 1408x1408 / 960x960 / 960x720 / 960x554	
	MJPEG - 1920x1080 / 1600x1200 / 1408x1408 / 960x960 / 960x720 / 960x554	
SW Dewarping	H.264 - 6M (3072 x 2048) / Full HD 1080P / SXGA / HD 720P / XGA / SVGA / D1 / VGA / CIF / QVGA MJPEG - Full HD 1080P / SXGA / 720P / XGA / SVGA / D1 / VGA / CIF / QVGA	
Video Windows under ePTZ		4
Video Dewrap Engine		Edge Embedded (Camera Side)
Video Analytic Engine		Edge Embedded (Camera Side)
Protocol		ARP, IPv4/v6, TCP/IP, UDP, RTP, RTSP, HTTP, HTTPS, ICMP, FTP, SMTP, DHCP, PPPoE, UPnP, IGMP, SNMP, QoS, ONVIF
Security		HTTPS / IP Filter / IEEE 802.1X
Alarm	Input	1 Set, 5V 10kΩ pull up
	Output	1 Set, Photo Relay Output 300V DC/AC
Event Notification		HTTP / FTP / SMTP
Micro SD		microSDXC 64GB support
Supported Web Browser		Internet Explorer (6.0+) / Chrome / Firefox / Safari
User Account		20
Password Levels		User and Administrator
Mechanical		
Built-in IR Illuminator*	Working Distance	5m
	Wavelength	850 nm
	Number of LEDs	4
Connectors	Alarm & Audio	7 Pin Terminal Block
	Power	2 Pin Terminal Block
	Ethernet	RJ-45
All-in-one Cable (Outdoor)		
Audio I/O		Line in / Line Out
Alarm		4 Pin Terminal Block
Power		2 Pin Terminal Block / GND
General		
Operating Temperature		-10°C ~ 50°C (14° ~ 122° F)
Humidity		10% ~ 90%, No Condensation
Weatherproof Standard*		IP66
Dimension		Ø 117 x 42.7 mm (Ø 4.6 x 1.68 in.)
Weight		330g (0.73 lb)
Power Source		PoE / DC 12V
Power Consumption	Operation (802.3af)	PoE: 7.1W / DC 12V: 8.1W
	System	IR LED: +1.9W / ICR Switching: +0.5W
Regulatory		CE / FCC / RoHS

* mark for optional items

Product specification and availability are subject to change without notice.