

EV6353A Series IP Camera

H.264 Superior Image Quality at Low Bandwidth, SuperHAD SONY CCD,
Vari-focal ED Lens Guarantee Absolute Steady Performance Even at -25°C



H.264

Audio

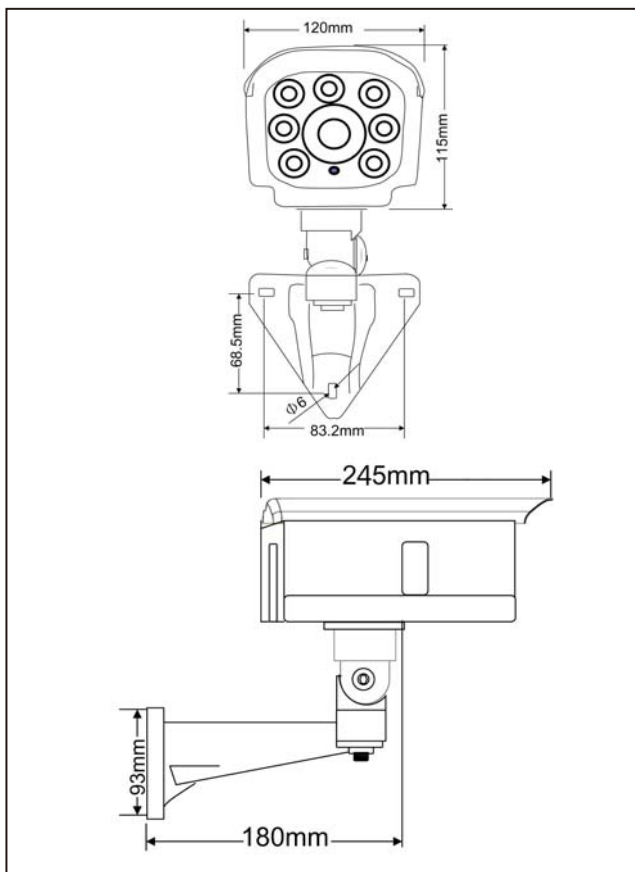
IP66

Day & Night

Features

- 1/3" SuperHAD Q1 SONY CCD
- 0.1 Lux/ 0 Lux (IR LED On)
- IR Range up to 40(BO) / 80(CO) Meters
- H.264/ MPEG-4/M-JPEG
- D1, CIF, QCIF Image Resolution
- Up to 30fps (NTSC) / 25 fps (PAL) at D1 Resolution
- 2-way Audio
- Audio In:ADPCM Audio Out:MP3
- Digital In / Out
- Water-proof Housing (IP66)
- File/Clip Upload via FTP and Email, Notification via Email, External Output Activation
- ARM 9 Based 32-bit RISC, 512Mbits
- Female RJ-45 Ethernet 10Base/100Base TX
- Built-in Heater and Fan

Dimensions



Specifications

	Model	EV6353A-BO24 EV6353A-BO80	EV6353A-CO24 EV6353A-CO80	EV6353A-DO24 EV6353A-DO80	EV6353A-EO24 EV6353A-EO80	EV6353A-FO24 EV6353A-FO80	
Camera	Image Sensor	1/3" Sony CCD Sensor		1/3" Sony WDR CCD			
	Lens	16mm Fix Lens		3.8-9.5mm	9-22mm		
	Light Sensitivity	Vari-Focal ED Lens					
	Shutter Time	1/60-1/120,000(NTSC) 1/50-1/120,000(PAL)					
	Auto Control	BackLight Compensation / Gain Control / White Balance					
	Number of Effective	768 x 494 (NTSC) , 752 x 582 (PAL)					
	Iris	Auto Iris					
	Gain	Auto					
	White Balance	Auto					
	Built-in IR LED	4pcs	7pcs	4pcs	7pcs		
		Super Power LED with Photo Diode Sensor Control					
	IR Wavelength / Beam Angle	850nm/ 45 Degree					
	Video / Audio	Max. IR Range	40M	80M	40M	80M	
Horizontal Resolution		420 TVL		540 TV Lines			
S/N Ratio		More than 50dB					
Video Compression		M-JPEG, MPEG-4,H.264 Format Selectable					
Resolutions		NTSC: D1(720x480), CIF(352x240), QCIF(176x120) PAL : D1 (720x576), CIF(352x288), QCIF(176x144)					
Frame Rate		Up to 30fps (NTSC) / 25fps (PAL) @ D1 Resolution					
Video Streaming		Simultaneous Dual Stream Controllable Frame Rate and Bandwidth					
Image Settings		Compression, Gain Control					
Bit Rate		M-JPEG: 5 Video Quality Level Selectable; MPEG-4/H.264 : 64K-4Mbps					
Audio		Audio In/Out ADPCM					
Network		Security	Password Protection, IP Address Filtering, User Access Privilege				
		Supported Protocols	TCP/IP, DHCP, PPPoE, HTTP, DDNS, NTP, FTP, SMTP, UDP, RTSP, 3GPP, UPnP				
System Integration & Maintenance		Application Programming Interface	EtroSDK™ 3.0				
	Intelligent Video	Video Motion Detection					
	Alarm Events	Intelligent Video, File Upload via FTP and E-mail, Notification via E-mail, External Output Activation					
	Video Buffer	Pre-and Post Alarm Buffer up to 10-sec					
	Configuration	EtroScan™ Utility					
	Web Browser	Microsoft Internet Explorer 6.0, or Above					
General	Casing	IP66 Casing					
	Outdoor Protection Level	IP66					
	Heater & Fan	Built-in Auto Activation					
	Dimension	120 (W) X 115 (H) X 215 (D) mm					
	Processor and Memory	ARM9 base SoC, 128MB RAM, 16MB Flash					
	Power	24Vac or 080PSU (90-240Vac) Power Input / 4A Rating Current					
	Connectors	RJ-45 for 10BASE-T/100 BASE-TX,DC jack ,EtroLink™, BNC, Audio In, Audio Out, DI/DO					
	CPU	Pentium 4, 2.4GHz and Above					
	Hard Disk	40 GB or Above					
	Memory	512 MB or Above					
	Operating System	Windows XP with SP2 or Above / Windows 2000 with SP4 or Above					
	Video Resolution	SVGA or XGA with 1024 x 768 Resolution					
	Software	DirectX 9.0C or Above					
Operating Conditions	Temperature: - 25-50°C						
	Humidity: 30-90% RH						
Approvals	CE, FCC, RoHS						
Weight	3.700g						
Included Accessories	CD-ROM (User Manual, Free Bundle NVR), USB Cable						