

## DS-2CD2110F-I(W)(S)



### Key Features

- Up to 1.3 megapixel (1280 × 960) resolution
- Standard video compression with high compression ratio, ROI (region of interest) encoding
- Progressive scan CMOS, capture motion video without incised margin
- Support dual stream, and the sub-stream for mobile surveillance
- High-performance and long service life infrared LED, Approx. 10 to 30 meters IR range
- Two-way audio(-S)
- Audio I/O(-S)
- Support Wi-Fi(-W)
- IR cut filter with auto switch
- PoE (Power over Ethernet)
- Built-in Micro SD/SDHC/SDXC card slot, up to 64 GB
- Ingress Protection level: IP66
- Impact Protection: IK08
- Other functions: rotate mode, alarm, mirror, reset button, etc
- Support intrusion detection, line crossing detection
- Support VCA, which is compatible with NVR for the second time of video searching and analysing

### Specification

| Model             | DS-2CD2110F-I(W)(S)  |
|-------------------|--|
| Parameter         | 1.3 Megapixel CMOS Vandal-proof Network Dome Camera                                  |
| <b>Camera</b>     |  |
| Image Sensor      | 1/3" Progressive Scan CMOS   |
| Min. Illumination | 0.01Lux @ (F1.2, AGC ON) ,0 Lux with IR<br>0.028 Lux @ (F2.0, AGC ON) ,0 Lux with IR |
| Shutter Speed     | 1/3 s to 1/100,000 s   |
| Lens              | 4mm@ F2.0 (2.8mm, 6mm optional)  |
|                   | Angle of view: 92.5°(2.8mm), 73.1°(4mm) , 46°(6mm)                                   |

|  |   |
|--|---|
| Lens Mount   | M12   |
| Day & Night  | IR cut filter with auto switch  |
| Digital Noise Reduction  | 3D DNR  |
| Wide Dynamic Range   | Digital WDR   |
| Angle Adjustment   | Pan:0° - 355°, Tilt: 0° - 75°, Rotation: 0-355°   |
| <b>Compression Standard</b>  |   |
| Video Compression  | H.264/ MJPEG  |
| H.264 Type   | Baseline Profile / Main Profile   |
| Video Bit Rate   | 32 Kbps – 8 Mbps  |
| Dual Stream  | Yes   |
| Audio Compression(-S)  | G.711/G.722.1/G.726/MP2L2   |
| Audio Bit Rate(-S)   | 64Kbps(G.711) /16Kbps(G.722.1)/16Kbps(G.726) /32-128Kbps(MP2L2)   |
| <b>Image</b>   |   |
| Max. Resolution  | 1280 x 960  |
| Frame Rate   | 50 Hz: 25 fps (1280 × 960), 25 fps (1280 × 720)<br>60 Hz: 30 fps (1280 × 960), 30 fps (1280 × 720)  |
| Image Settings   | Rotate mode, Saturation, Brightness, Contrast adjustable by client software or web browser  |
| Backlight compensation   | Yes, zone optional  |
| ROI  | Support   |
| <b>Network</b>   |   |
| Network Storage  | Local storage: Built-in Micro SD/SDHC/SDXC card slot, up to 64 GB.<br>NAS (Support NFS,SMB/CIFS)  |
| Alarm Trigger  | Line Crossing, Intrusion Detection, Motion detection, Dynamic analysis, Tampering alarm, Network disconnect, IP address conflict, Storage exception   |
| Protocols  | TCP/IP, UDP,ICMP,HTTP,HTTPS,FTP,DHCP,DNS,DDNS,RTP,RTSP,RTCP, PPPoE,NTP,UPnP,SMTP,SNMP,IGMP,802.1X,QoS,IPv6,Bonjour                                    |
| General  | One-key reset, Flash-prevention, dual stream, heartbeat, mirror, password protection, privacy mask, watermark, IP address filtering, Anonymous access |
| Standard   | ONVIF, PSIA, CGI, ISAPI   |
| <b>Interface</b>   |   |
| Communication Interface  | 1 RJ45 10M/100M Ethernet interface  |
| Alarm interface  | -S: 1 alarm I/O   |
| Audio interface  | -S: 1 audio I/O   |
| <b>Wi-Fi Specification(Only for the products with Wi-Fi module built-in)</b> |   |

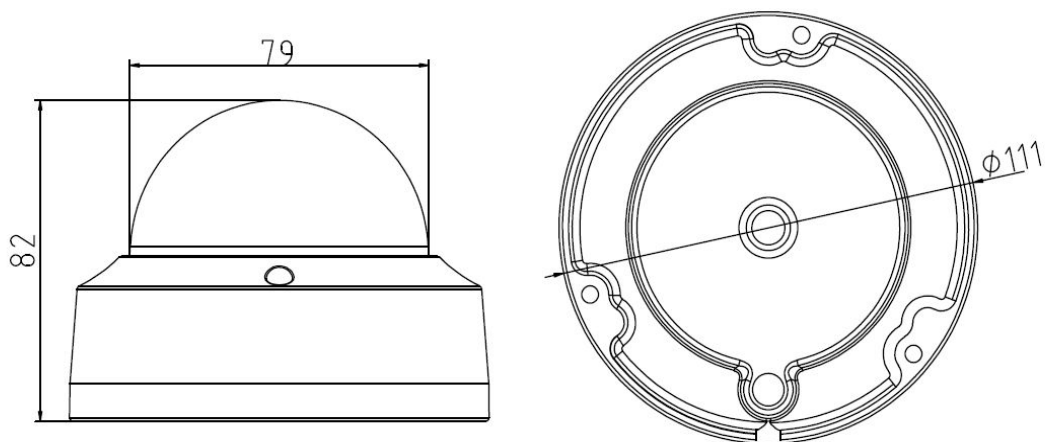
|                          |   |
|--------------------------|---|
| Wireless Standards       | IEEE802.11b, 802.11g, 802.11n   |
| Frequency Range          | 2.4 GHz ~ 2.4835 GHz  |
| Channel Bandwidth        | 20/40MHz Support  |
| Protocols                | 802.11b: CCK, QPSK, BPSK<br>802.11g/n: OFDM   |
| Security                 | 64/128-bit WEP, WPA/WPA2, WPA-PSK/WPA2-PSK, WPS   |
| Transmit Output Power    | 11b: 17±1.5dBm @ 11Mbps<br>11g: 14±1.5dBm @ 54Mbps<br>11n: 12.5±1.5dBm                    |
| Receive Sensitivity      | 11b: -90dBm @ 11Mbps (Typical)<br>11g: -75dBm @ 54Mbps (Typical)<br>11n: -74dBm (Typical) |
| Transfer Rates           | 11b: 11Mbps<br>11g: 54Mbps<br>11n: up to 150Mbps  |
| Wireless Range           | 50m(depend on environment)  |
| Wireless Standards       | IEEE802.11b, 802.11g, 802.11n   |
| <b>General</b>           |   |
| Operating Conditions     | -30 °C – 60 °C (-22 °F – 140 °F)<br>Humidity 95% or less (non-condensing)                 |
| Power Supply             | 12 V DC ± 10%<br>PoE (802.3af)  |
| Power Consumption        | Max. 5W   |
| Ingress Protection level | IP66  |
| IR Range                 | 30 meters   |
| Impact Protection        | IK08  |
| Dimensions               | Φ111 × 82 (4.4" × 3.2")   |
| Weight                   | 500g (1.1 lb)   |

\* "-W" series support Wi-Fi (802.11b/g/n) and the modules with Wi-Fi function don't support the 802.1X protocol.

## Order Models

DS-2CD2110F-I, DS-2CD2110F-IW, DS-2CD2110F-IS, DS-2CD2110F-IWS

## Dimensions



## Accessories



Inclined ceiling mount  
DS-1259ZJ



Wall mount  
DS-1272ZJ-110