

DS-2DE5186/5184 series

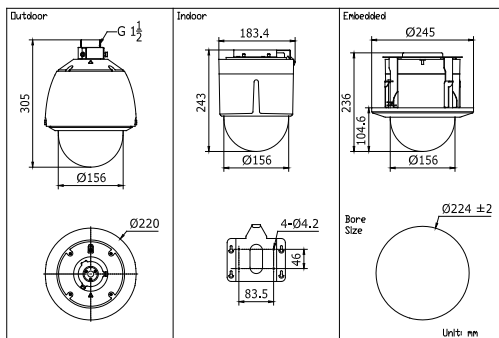
2MP Network PTZ Dome Camera



Key features

- 1/2.8" Progressive Scan CMOS
- 1080P Full HD resolution
- 30X / 20X optical zoom, 16X digital zoom
- True Day/Night, 3D DNR, Digital WDR
- 3D intelligent positioning
- 24VAC / PoE+ power supply

Dimensions



Accessories



DS-1601ZJ DS-1601ZJ-corner DS-1601ZJ-pole DS-1634ZJ

Available models

- DS-2DE5186-A: 24VAC, outdoor
- DS-2DE5186-AE: PoE+ & 24VAC, outdoor
- DS-2DE5186-A3: 24VAC, indoor
- DS-2DE5186-AE3: PoE+ & 24VAC, indoor

- DS-2DE5184-A: 24VAC, outdoor
- DS-2DE5184-AE: PoE+ & 24VAC, outdoor
- DS-2DE5184-A3: 24VAC, indoor
- DS-2DE5184-AE3: PoE+ & 24VAC, indoor

	DS-2DE5186-A(3) DS-2DE5186-AE(3)	DS-2DE5184-A(3) DS-2DE5184-AE(3)
Camera		
Image sensor	1/2.8" Progressive Scan CMOS	
Effective pixel	2230K pixels	
Min. illumination	Color: 0.05Lux@F1.6, AGC ON; B/W: 0.01Lux@F1.6, AGC ON	
White balance	Auto / Manual / ATW/Indoor/Outdoor/Daylight lamp/Sodium lamp	
AGC	Auto / Manual	
S / N ratio	≥ 52dB	≥ 50dB
Digital noise Reduction	3D DNR	
Backlight compensation	HLC/BLC	
Wide dynamic range	Digital WDR	
Shutter speed	1 ~ 1/10,000s	
Day & Night	IR Cut Filter	
Digital zoom	16X	
Privacy masking	2 privacy masks programmable	
Focus mode	Auto / Semiautomatic / Manual	
Lens		
Focal length	4.3 ~ 129mm, 30x	4.7 ~ 94mm, 20x
Zoom speed	Approx 3s(Optical Wide-Tele)	
Angle of view	65.1 ~ 2.34 degree (Wide-Tele)	58.3 ~ 3.2 degree (Wide-Tele)
Min. working distance	10 ~ 1500mm(Wide-Tele)	10 ~ 1000mm(Wide-Tele)
Aperture range	F1.6 ~ F5.0	F1.6 ~ F3.5
Pan and Tilt		
Pan / Tilt range	Pan: 360° endless;Tilt: -5° ~90°(Auto Flip)	
Pan / Tilt speed	Pan Manual Speed: 0.1° ~250°/s, Pan Preset Speed: 300°/s Tilt Manual Speed: 0.1° ~150°/s, Tilt Preset Speed: 200°/s	
Proportional zoom	Rotation speed can be adjusted automatically according to zoom multiples	
Number of preset	256	
Park action	Pattern/Pan scan/Tilt scan/Frame scan/Panorama scan/Random scan	
Patrol	8 patrols, up to 32 presets per patrol	
Power-off memory	Support	
PTZ position display	Support	
Preset freezing	Support	
Scheduled task	Preset / Patrol / Pattern / Pan scan / Tilt scan / Random scan / Frame scan / Panorama scan/Dome reboot/Self-test action/Alarm output	
Input/ Output		
Audio Input	1 Mic in/Line in interface, Line input: 2 ~ 2.4V[p-p]; output impedance: 1KΩ, ±10%	
Audio Output	1 Audio output interface, Line level, impedance: 600Ω	
Network		
Ethernet	10Base-T / 100Base-TX, RJ45 connector	
Max. Image Resolution	1920×1080	
Frame Rate	50Hz: 25 fps (1920×1080), 25 fps (1280×960), 25 fps (1280×720) 60Hz: 30 fps (1920×1080), 30 fps (1280×960), 30 fps (1280×720)	
Image Compression	H.264/MJPEG	
Audio Compression	G.711u /G.711a /G.726 /MP2L2	
Protocols	IPv4/IPv6, HTTP, HTTPS, 802.1x, Qos, FTP, SMTP, UPnP, SNMP, DNS, DDNS, NTP, RTSP, RTP, TCP, UDP,IGMP, ICMP, DHCP, PPPoE	
Simultaneous Live View	Up to 6	
Streams	Dual streams	
Mini SD Memory Card	Micro SD slot, up to 32GB	
User/Host Level	Up to 32users, 3 Levels: Administrator, Operator, User	
Security Measures	User authentication (ID and PW), Host authentication (MAC address), IP address filtering	
Integration		
Application programming	Open-ended API, support Onvif, PSIA and CGI	
Web Browser	IE 7+, Chrome 18+, Firefox 5.0+, Safari 5.02+	
General		
Power	-A(E): 24 VAC, max. 22W -A(E)3: 24 VAC, max. 14W	
Working Temperature	-A(E): -30°C ~ 65°C(-22°F ~ 149°F); -A(E)3: -10°C ~ 50°C(14°F ~ 122°F)	
Humidity	90% or less	
Protection Level	IP66 (outdoor dome) TVS 4,000V lightning protection, surge protection and voltage transient protection IK10 (optional)	
Dimensions	Φ220×305mm (Φ8.66"×12.02")(Outdoor) Φ183.4×243mm(Φ7.22"×9.56")(Ceiling) Φ245×236mm(Φ9.65"×9.29")(In-ceiling)	
Weight (approx.)	5Kg (11.02lbs)	
Mount Option (for outdoor models)	Long-arm wall mount: DS-1601ZJ; Pole Mount: DS-1601ZJ-pole;	Corner mount: DS-1601ZJ-corner; Power box mount:DS-1634ZJ