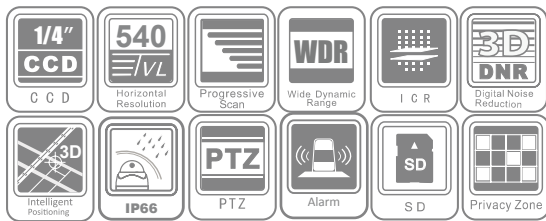


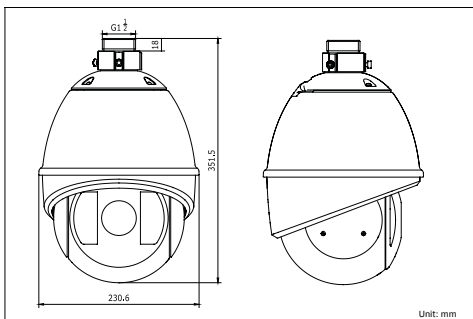
DS-2DF1-713-B IR WDR Network High Speed Dome



Key features

- 1/4" Sony EXVIEW HAD progressive scan CCD
- 128x wide dynamic range
- True day / night
- 80m IR range
- 3D intelligent positioning function
- 3D digital noise reduction
- IP66 rating

Dimensions



Accessories



DS-1614ZJ
(Long-arm Wall Mount Bracket)

Specifications

DS-2DF1-713-B	
Camera	
Image sensor	1/4" Sony EXVIEW HAD progressive scan CCD
Effective pixel	PAL: 752 (H) × 582 (V), NTSC: 768 (H) × 494 (V)
Horizontal resolution	Color: 540 TVL, B/W: 570 TVL
Signal system	PAL / NTSC
Min. illumination	Color: 0.7 lux@F1.4, B/W: 0.01 lux@F1.4, 0 lux with IR
White balance	Auto / Manual / ATW / Indoor / Outdoor / Outdoor Auto /sodium lamp
AGC	Auto / manual
S / N ratio	≥ 50dB
NR	High / Medium / Low / off
BLC	On / Off
WDR	128x (On / Off / Auto)
Shutter time	PAL: 1/3 ~ 1/10,000s, NTSC: 1/4 ~ 1/10,000s
Day & night	IR cut filter
Digital zoom	12x
Privacy mask	24 privacy masks programmable
Focus model	Auto / semi-automatic / manual
Lens	
Focal length	4.1 ~ 73.8mm, 18x
Zoom speed	Approx.2.0s (optical Wide-Tele)
Angle of view	48 ~ 2.8° (Wide-Tele)
Min. working distance	290 ~ 800mm (Wide-Tele)
Aperture range	F1.4 ~ F3.0
Pan and tilt	
Pan range	360° endless
Pan speed	Pan manual speed: 0.1° ~ 160°/s, pan preset speed: 240°/s
Tilt range	-10° ~ 90° (auto flip)
Tilt speed	Tilt manual speed: 0.1° ~ 120°/s, tilt preset speed: 200°/s
Proportional zoom	Rotation speed can be adjusted automatically according to zoom multiples
Number of preset	256
Patrol	8 patrols, up to 32 presets per patrol
Pattern	4 patterns, with the recording time not less than 10 min per pattern
Power-off memory	Support
Park action	Preset / patrol / pattern / pan scan / tilt scan / random scan / frame scan / panorama scan
PTZ position display	On / off
Freeze frame	Support
Infrared	
IR irradiation distance	80m
IR irradiation angle	Adjustable by zoom
Alarm	
Alarm input	2 (7 alarm inputs optional)
Alarm output	2 relay outputs, alarm response actions configurable
Alarm action	Preset, patrol, pattern, SD/SDHC card recording, relay output, notification on client
Input/ Output	
Monitor output	1.0V[p-p] / 75Ω, NTSC (or PAL) composite, BNC
Audio input	Audio input (LINE input), 2-2.4V[p-p]; output impedance: 1KΩ, ±10%
Audio output	Line level, impedance: 600Ω
Network	
Ethernet	10 base-T / 100 base-TX
Max. image resolution	PAL: 704 × 576, NTSC: 704 × 480
Frame rate	PAL: 25fps (704 × 576), NTSC: 30fps (704 × 480)
Image compression	H.264
Audio compression	G.711 / 16kbps
Audio mode	Off / audio input / audio output
Protocols	TCP/IP, HTTP, DHCP, DNS, RTP/RTCP, RTSP, PPPoE, SMTP, NTP (FTP, SNMP optional)
No. of simultaneous users	Up to 6 users
Dual streams	Support
Mini SD memory card	Manual REC / alarm REC. Built-in SD/SDHC slot, up to 32GB
User / Host level	3 levels: administrator, camera control, live view only
Security measures	User authentication (ID and PW), host authentication (MAC address)
Client GUI	
Camera control	Pan / tilt, zoom, focus, click centering, drag zoom, iris, preset position call and program, auto mode.
Camera name	Up to 18 characters
Date & time display	Time: week: date, 6 formats on the client
Reading patrol message	Display and reading of preset message contained in each patrol via client software
Fiber interface (available for fiber dome only)	
Data mode	10 base-T / 100 base-TX
Physical interface	FC (SC optional)
Fiber wavelength	TX1310 / RX1550nm
Fiber type	Single fiber / single mode
Transmission distance	20km, with 40km, 60km and 80km optional
General	
Menu language	English, Chinese
RS-485 protocols	HIKVISION, Pelco-P, Pelco-D, self-adaptive
Power supply	24 VAC (12 VDC optional)
Power consumption	50W max
Working temperature / humidity	-30 °C ~ 65 °C (-22 °F ~ 149 °F), 90% or less
Protection level	IP66 standard, TVS 3.000V lightning protection, surge protection and voltage transient protection
Mounting	Various mounting modes optional
Dimensions	Φ 230.6 × 351.5mm (Φ 9.08" × 13.84")
Weight (approx.)	5.5kg (12.13lbs)